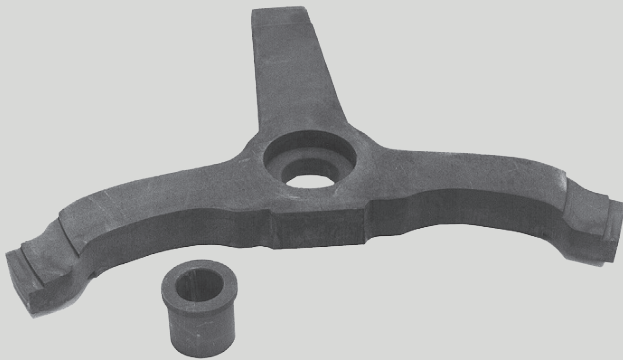


Tools, Mechanical

Bulletin PO0A001 Issue/Rev. 0.2 (2/17)

Spiders and Bushings



Locates rotor assembly while obtaining blade tip and block clearances on rotary vane PD meters. Tightens rotor (gear set) without the cover and allows visual inspection of clearances on oval gear meters.

.....**Refer to Bulletin PO01015**

Feeler Gauges



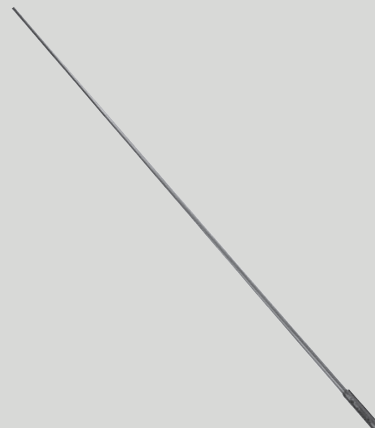
Assures proper clearances during rotor and block fit-up. Gauge design allows accurate measurement over full length of blade tip and block face. Suffix of part number represents thickness of gauge in "thousands" or (0.020" maximum). For example, 515252-012 is .012" thick **515252-XXX**

Cam Setting Bushing



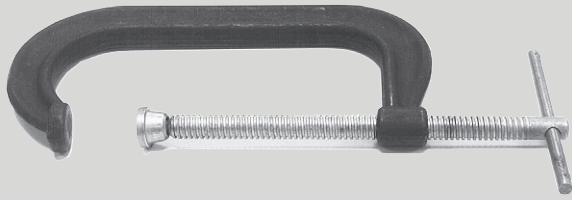
Assures proper cam position and reduces fit-up time when installing rotor assemblies in T-11 and I-75 PD meters **552469-001**

Feeler Gauge Extension Rod



22" long extension rod allows for added reach required on larger meters. Rod inserts into end of feeler gauge and is held in place with set screw. **515250-001**

"C" Clamp



8" capacity clamp used in the disassembly of 12" and 16" P.D. meter rotor assemblies. Used to prevent lower blade from falling when removing adjusting collar from rotor assembly **651037-003**

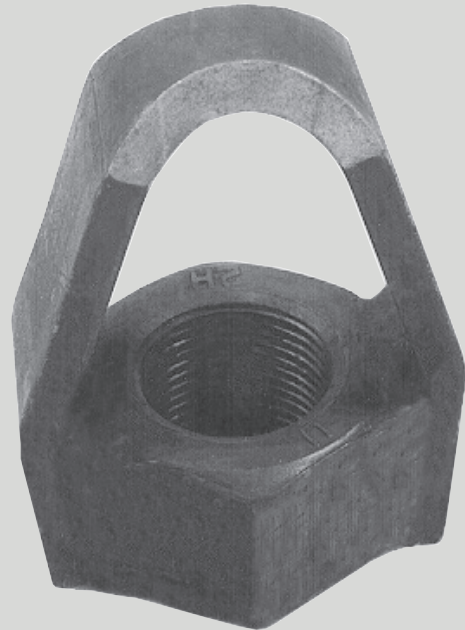
Spring Depressor



Compresses rotor spring allowing easy removal of rotor pin and thrust collar.

F4-V1 Meter **517476-001**
G6-V1 Meter **517481-001**

Rotor Assembly Lifting Lugs



Provides a safe and convenient means to lift rotor assembly out of inner mechanism. Lugs screw onto end of rotor shaft.

JA10\JB10 Series Meters **552125-001**
K12 Series Meters **551919-001**
M16 Series Meters **551932-001**

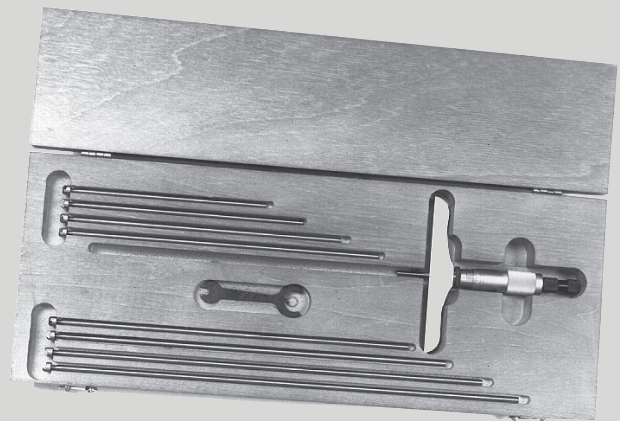
Idler Pin Puller



Facilitates removal of idler pinion gear shaft from covers of lower pressure (S1) meter covers.

C2 through H8 Series **545166-001**

Depth Micrometer



Used to measure blade end to rotor clearances on P.D. meters.

Calibrated in Millimeters **650901-001**
Calibrated in Inches **650901-002**

Dial Indicator



Ames model "262" required for testing and adjusting Smith ATGs..... **651037-007**

Drive Pin Punch Set



Contains eight (8) of the most common punch sizes for servicing Smith Equipment..... **651037-002**

Dial Indicator Adjusting Kit



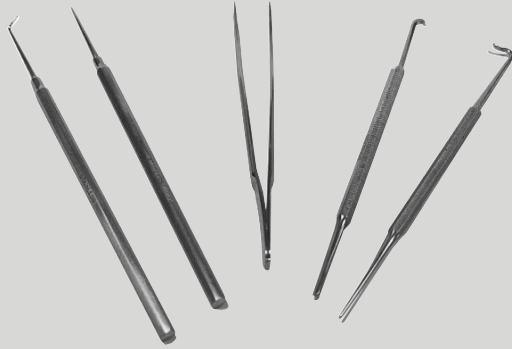
Adapts the above dial indicator (not included) to the Smith ATG **514099-001**

Wire Twister



Quickly and securely fastens seal wire.... **651037-001**

O-Ring Picks



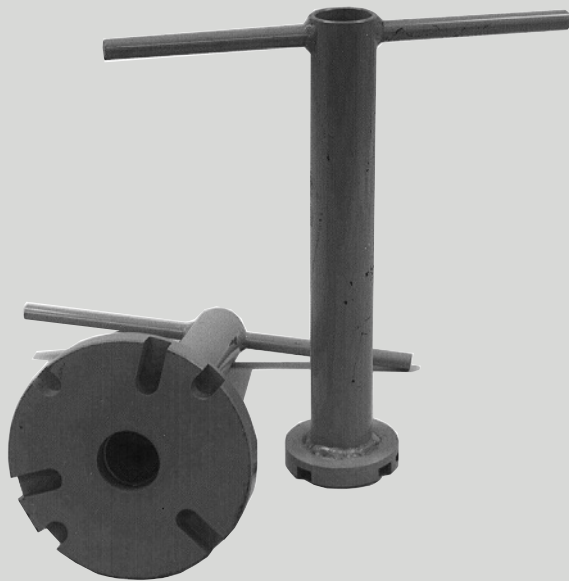
Facilitates installation and removal of O-Rings. Also beneficial in the repair of valve pilots..... **651037-005**

Tamper Proof Screwdriver



For removal of tamper proof screws on AccuLoad, AccuBlend, MiniLoad, AutoLACT, and Magnetic Card Reader..... **644880-401**

Valve Seat Wrench



Allows easy installation and removal of 200 Series valve seats. **Important: Specify valve size when ordering.**

- 2" Valve..... **529581-002**
- 2" Reduced Port Valve..... **529581-008**
- 3" Valve..... **529581-004**
- 4" Valve..... **529581-005**
- 6" Valve..... **529581-006**

Metric Allen Wrench



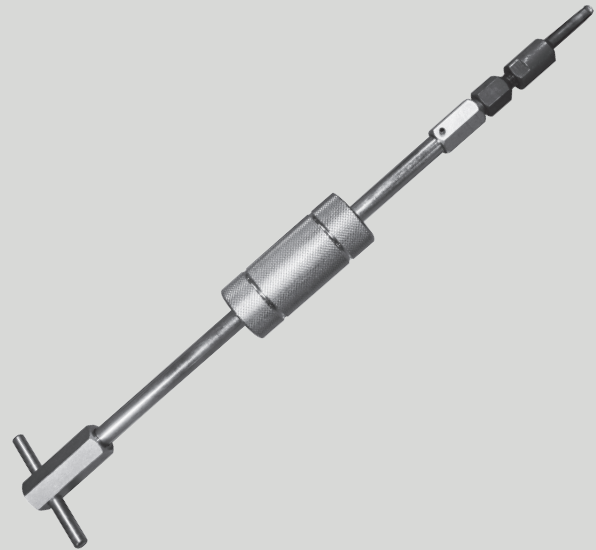
Removes cover bolts on the following equipment:
 Accuload, AccuBlend, MiniLoad, Load Printer, PST and PPST Transmitters, and SS1 Valve Controller (6 mm)
 **644827-401**
 PEXP Transmitter (5 mm)..... **644827-402**

Lubricating Gun



Lubricates packing glands. Designed for hydraulic and flush type fittings. Pump level type. Load capacity of 10 fluid oz **650295-002**

Slide Hammer Bearing Puller



For removal of cover bearing in Genesis PD meter. **651037-008**

Revisions included in PO0A001 Issue/Rev. 0.2 (2/17):

Page 1: Spiders and Bushings image edited; reference bulletin updated.

The specifications contained herein are subject to change without notice and any user of said specifications should verify from the manufacturer that the specifications are currently in effect. Otherwise, the manufacturer assumes no responsibility for the use of specifications which may have been changed and are no longer in effect.

Contact information is subject to change. For the most current contact information, visit our website at www.fmctechnologies.com/measurementsolutions and click on the "Contact Us" link in the left-hand column.

TechnipFMC.com

FMCTechnologies.com/MeasurementSolutions

© TechnipFMC 2017 All rights reserved. PO0A001 rev. 0.2 (2/17)

TechnipFMC
FMC Technologies
Measurement Solutions, Inc.
500 North Sam Houston Parkway West,
Suite 100
Houston, Texas 77067 USA
P:+1 281.260.2190

USA Operation
1602 Wagner Avenue
Erie, Pennsylvania 16510 USA
P:+1 814.898.5000

Germany Operation
Smith Meter GmbH
Regentstrasse 1
25474 Ellerbek, Germany
P:+49 4101 304.0