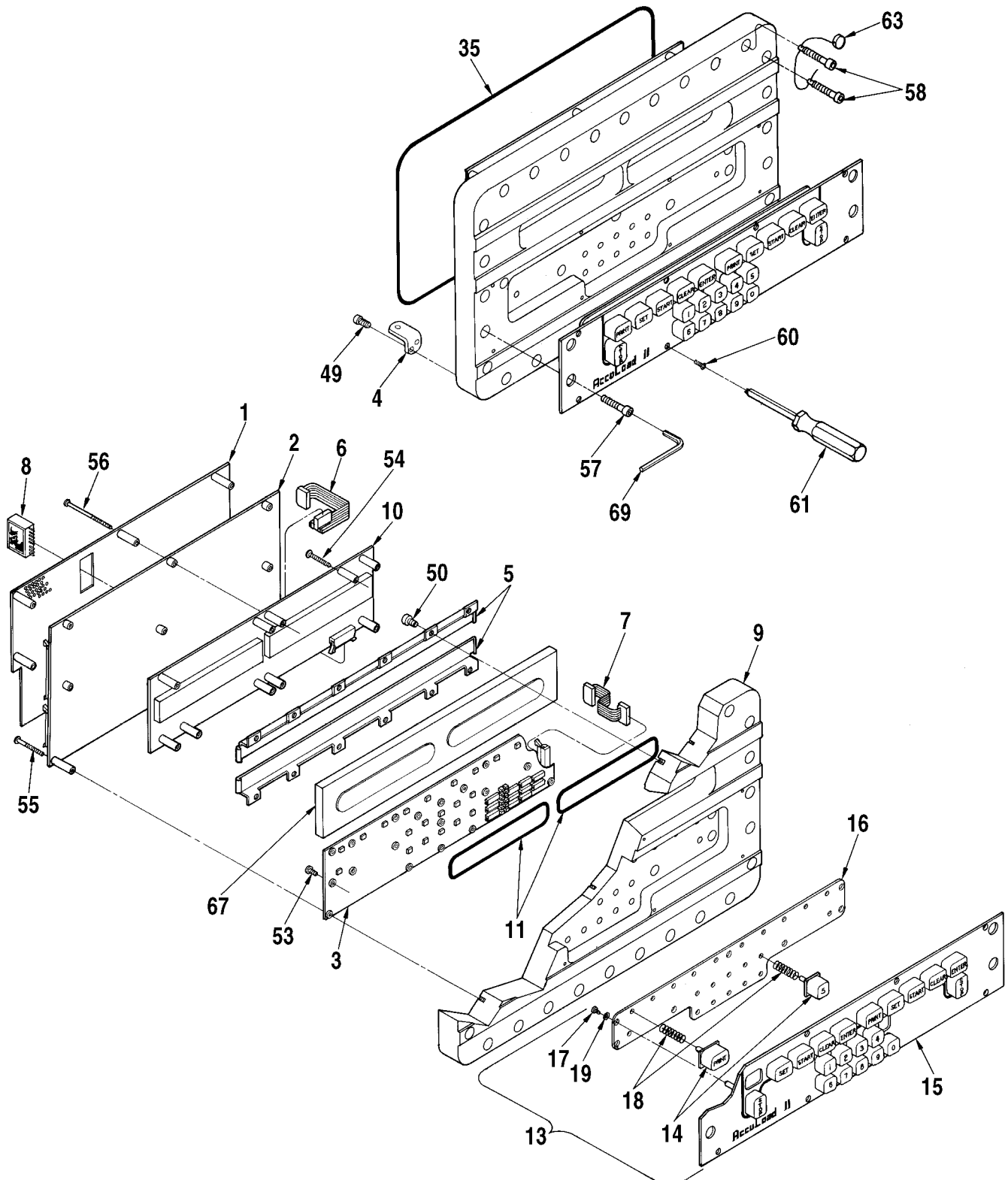
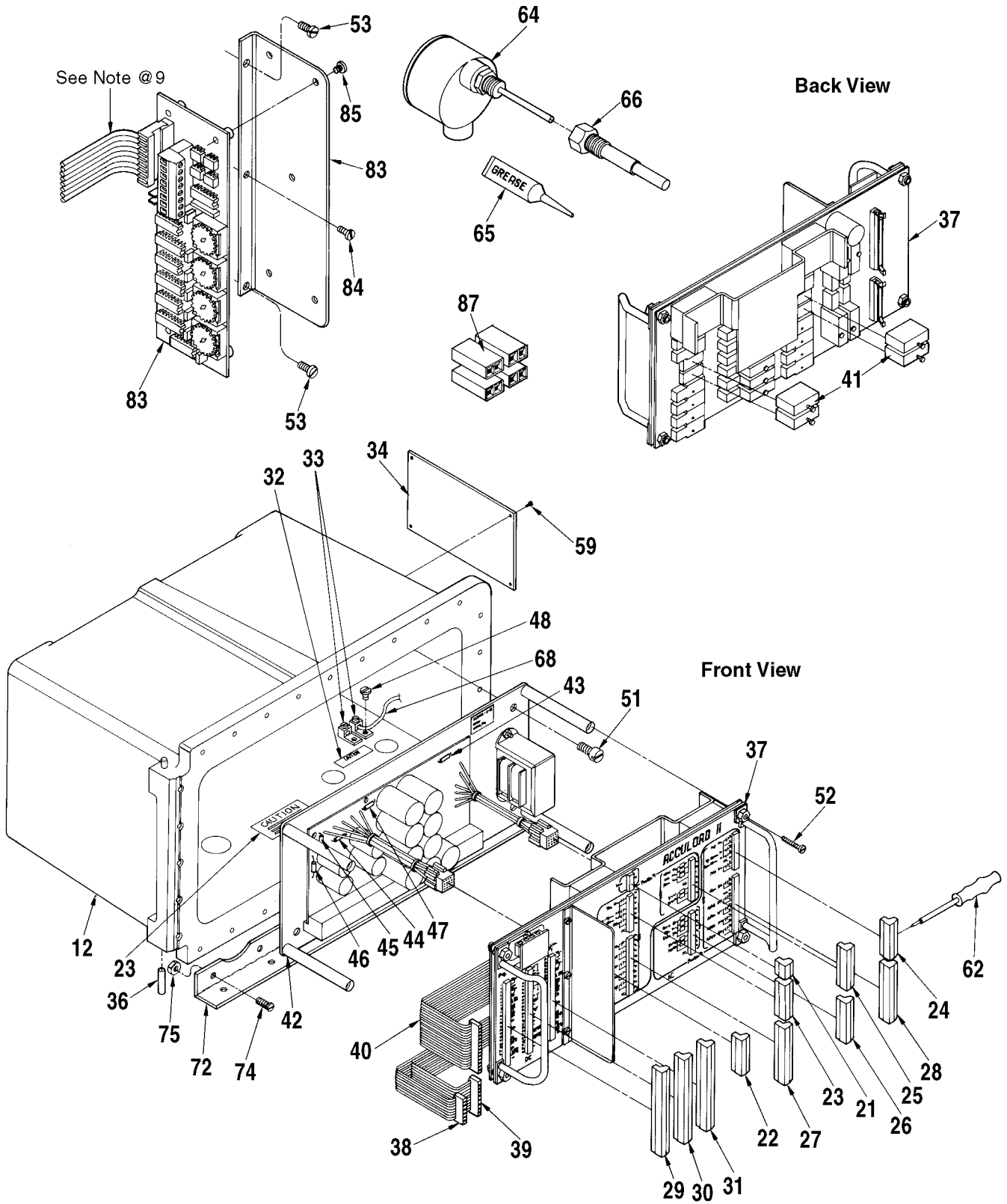


Explosion Proof Version



Quad OPV Option Kit



Item	Description	Qty.	Part Number
1	Barrier Assembly	1	552336-001
2	@1 + Board, Assembly, Computer, ATCB:		
	with "STD" Software	1	235120-STD
	Software Kit Only	1	652144-STD
	with "SEQ" Software.....	1	235120-SEQ
	Software Kit Only	1	652144-SEQ
	with "WBG" Software.....	1	235120-WBG
	Software Kit Only	1	652144-WBG
	with "GRK" Software	1	235120-GRK
	Software Kit Only	1	652144-GRK
	with "SET" Software	1	235120-SET
	Software Kit Only	1	652144-SET
	with "SPP" Software.....	1	235120-SPP
	Software Kit Only	1	652144-SPP
	with "SPN" Software.....	1	235120-SPN
	Software Kit Only	1	652144-SPN
	with "SEP" Software.....	1	235120-SEP
	Software Kit Only	1	652144-SEP
	with "SMX" Software	1	235120-SMX
	Software Kit Only	1	652144-SMX
	with "SAR" Software.....	1	235120-SAR
	Software Kit Only	1	652144-SAR
	with "RBU" Software.....	1	235120-RBU
	Software Kit Only	1	652144-RBU
	with "RBM" Software	1	235120-RBM
	Software Kit Only	1	652144-RBM
	with "STM" Software.....	1	235120-STM
	Software Kit Only	1	652144-STM
3	+ Board Assembly, Keypad, ATKB:		
	RBU Version	1	235116-103
	STM Version	1	235116-105
	All Other Versions	1	235116-101
4	Bracket, HIInge.....	2	552230-001
5	Bracket, Window		
	Explosion Proof Version.....	2	552250-001
	Nema 4 Version	2	552653-001
6	Cable, Ribbon, 14 Position	1	235244-101
7	Cable, Ribbon, 16 Position	1	235243-101
8	@2 @8Control Module, ACM	1	235159-
9	Cover:		
	Explosion Proof Version.....	1	552314-001
	Nema 4 Version	1	552691-001
10	Display Module.....	1	644658-411
11	Gasket, Window:		
	Explosion Proof Version.....	2	552312-001
	Nema 4 Version	1	552670-001
12	Housing:		
	Explosion Proof Version.....	1	552305-001
	Nema 4 Version	1	552640-001
13	Keypad Assembly:		
	Explosion Proof Version.....	1	552311-001
	Nema 4 Version	1	552665-001

Item	Description	Qty.	Part Number
14	Button Set, Complete	1	552337-001
	Button, Individual, Print.....	2	552338-001
	Button, Individual, Set.....	2	552338-002
	Button, Individual, Start	2	552338-003
	Button, Individual, Clear	2	552338-004
	Button, Individual, Enter	2	552338-005
	Button, Individual, Stop.....	2	552338-006
	Button, Individual, One	1	552339-001
	Button, Individual, Two.....	1	552339-002
	Button, Individual, Three.....	1	552339-003
	Button, Individual, Four.....	1	552339-004
	Button, Individual, Five	1	552339-005
	Button, Individual, Six.....	1	552339-006
	Button, Individual, Seven.....	1	552339-007
	Button, Individual, Eight.....	1	552339-008
	Button, Individual, Nine.....	1	552339-009
	Button, Individual, Zero.....	1	552339-010
15	Cover, Keypad:		
	Explosion Proof Version.....	1	552321-001
	Nema 4 Version	1	552666-001
16	Guide, Keypad.....	1	552132-001
17	Screw, #16-32 x 1/4"	7	644312-401
18	Spring.....	22	643195-404
19	Washer, Flat	7	060553-001
20	Kit, Terminal Plugs.....	1	235241-001
21	Plug, 3 Position Terminal.....	1	235225-101
22	Plug, 7 Position Terminal.....	1	235225-102
23	Plug, 7 Position Terminal.....	1	235225-103
24	Plug, 7 Position Terminal	1	235225-104
25	Plug, 8 Position Terminal.....	1	235225-105
26	Plug, 8 Position Terminal.....	1	235225-106
27	Plug, 11 Position Terminal.....	1	235225-107
28	Plug, 11 Position Terminal.....	1	235225-108
29	Plug, 24 Position Terminal.....	1	235225-109
30	Plug, 24 Position Terminal.....	1	235225-110
31	Plug, 24 Position Terminal.....	1	235225-111
32	Label, Caution	1	551375-001
33	Lug, Terminal.....	2	644832-402
34	Nameplate:		
	Explosion Proof, UL/CSA, RBU	1	652657-001
	Explosion Proof, UL/CSA, STM	1	652665-001
	Explosion Proof, UL/CSA, RBM.....	1	652668-001
	Explosion Proof, UL/CSA, All Others	1	652656-001
	Explosion Proof, BAS/CEN, RBU	1	652663-001
	Explosion Proof, BAS/CEN, STM	1	652666-001
	Explosion Proof, BAS/CEN, RBM.....	1	652669-001
	Explosion Proof, BAS/CEN, All Others	1	652660-001
	Explosion Proof, PTB/CEN, RBU.....	1	652664-001
	Explosion Proof, PTB/CEN, STM.....	1	652667-001
	Explosion Proof, PTB/CEN, RBM	1	652670-001
	Explosion Proof, PTB/CEN, All Others	1	652661-001
	Nema 4, All Versions.....	1	652662-001
35	R@3 + O-Ring, Cord, Cover - Explosion Proof Versions Only	1	553364-001
36	Pin, Fluted Groove.....	2	641819-402

Item	Description	Qty.	Part Number
37	@4 I.O. Board:		
	RBU Version.....	1	235427-101
	STM, RBM Versions.....	1	553534-001
	All Other Versions	1	235242-101
38	Cable, Ribbon, 24 Position	1	235238-101
39	Cable, Ribbon, 34 Position	1	235239-101
40	Cable, Ribbon, 50 Position	1	235240-101
41	Relay	4	644734-419
42	Power Supply	1	552306-001
43	Fuse, 1.25 Amp - F1	1	644588-441
44	Fuse, 1.5 Amp - F2.....	1	644588-440
45	Fuse, 0.125 Amp - F3.....	1	644588-438
46	Fuse, 1 Amp - F4.....	1	644588-439
47	Fuse, 5 Amp - F5.....	1	644588-445
48	Screw, 1/4-20 x 3/8"	2	644313-401
49	Screw, 1/4-20 x 5/8"	4	642017-403
50	Screw:		
	Explosion Proof Version, 1/4-20 x 1/2".....	12	006775-002
	Nema 4 Version, #8-32 x 1/2"	12	643173-402
51	Screw, 3/8-16 x 7/8"	4	006415-002
52	Screw, #8-32 x 1 1/2"	4	643173-406
53	Screw, #8-32 x 3/8"	23	643173-403
54	Screw, #8-32 x 1 3/8"	2	643173-407
55	Screw, #8-32 x 1 3/4"	3	643173-409
56	Screw, #8-32 x 3 1/4"	6	643173-410
57	@5 Screw, M8-1.25 x 35 mm.....	26	644824-405
58	@5 Screw, M8-1.25 x 50 mm, Drilled	2	550227-002
59	Screw, Drive:		
	Explosion Proof Version, #4 x 1/4"	4	002131-400
	Nema 4 Version, #2 x 1/8"	4	009880-400
60	@5 Screw, Tamperproof, #8-32 x 1/2"	20	644879-404
61	+ Screwdriver, for Tamperproof Screws.....	1	644880-401
62	+ Screwdriver, Phoenix.....	1	645666-401
63	+ Seal, Lead and Wire	1	001627-400
64	+ Temperature Probe and Explosion Proof Junction Box:		
	3 1/4" Immersion Length.....	#	644844-403
	Probe Only	1	651024-009
	5 1/4" Immersion Length.....	#	644844-404
	Probe Only	1	651024-010
65	@6 Thermal Grease, 1 Ounce Tube	#	644802-401
66	@6 Well, Temperature:		
	@7 1/2" NPT (For Insertion into P.D. Meter):		
	2 1/2" Insertion Length, Standard Wall.....	#	645673-401
	2 1/2" Insertion Length, 0.062" Wall	#	645673-403
	4 1/2" Insertion Length, Standard Wall.....	#	645673-402
	4 1/2" Insertion Length, 0.062" Wall	#	645673-404
	3/4" NPT (For Insertion into Pipeline):		
	2 1/2" Insertion Length, Standard Wall.....	#	644845-401
	2 1/2" Insertion Length, 0.062" Wall	#	644845-403
	4 1/2" Insertion Length, Standard Wall.....	#	644845-402
	4 1/2" Insertion Length, 0.062" Wall	#	644845-404
67	Window:		
	Explosion Proof Version.....	1	552335-001
	Nema 4 Version - Lens and Filter Assembly	1	552671-001
68	Wire, Ground	1	529620-016
69	+ Wrench, Allen, 6mm Metric	1	644827-401

Item	Description	Qty.	Part Number
70	Bracket, Window.....	2	552682-001
71	Shroud.....	1	552664-001
72	Hinge (Nema 4 Version Only).....	1	552686-001
73	Label, Caution.....	1	552571-001
74	Screw, #4-40 x 5/16" (Nema 4 Version Only).....	12	644191-405
75	Nut (Nema 4 Version Only).....	16	642210-408
76	Screw, #10-32 x 1/2".....	18	643923-401
77	Standoff.....	4	644732-439
78	Screw, #8-32 x 3/8".....	9	006104-002
79	Keypad Block.....	1	552650-001
80	Gasket, Keypad Block.....	1	552685-001
81	Gasket.....	1	552679-001
82	@9 Quad OPV Board Kit.....	1	552578-001
83	Board Assembly, QOPV Option.....	1	235295-101
84	Screw, #8-32 UNC-2A.....	1	645590-401
85	Screw, #6-32 UNC-2A.....	5	644312-404
86	Divider.....	1	552579-001
87	Remote Start-Stop Kit.....	1	552707-001

R Revised Since Last Revision

+ Recommended Stock

Order Quantity Required

- @1 When removing the Computer Board for replacement, the Control Module (item #8) and the Ribbon Cables (items #6 and #7) must be disconnected from the board and retained with the unit.
- @2 Complete Model Number found on the Accuload II Nameplate is required to determine proper suffix of Control Module (ACM). Type of Software used (STD, WBG, SEQ, RBU, STM, RBM etc.) must be supplied.
- @3 Splice O-ring cord in bottom center section of cover and apply adhesive (p/n: 644796-402) to cord.
- @4 When returning the I.O. Board for replacement, it is necessary to remove the terminal plugs (items # 21 through #31) from the I.O. Board and include the three ribbon cables (items #38 through #40) with the board being returned.
- @5 Apply Anti-Seize compound (p/n: 005893-600) to all cover mounting screws.
- @6 Temperature well should be half filled with thermal grease (p/n: 644802-401) before inserting temperature probe.
- @7 If P.D. Meter temperature well boss is not threaded (1/2" NPT), order temperature probe adapter kit (p/n: 551239-001) from Smith Parts Operation.
- @8 If updating unit, it is necessary to specify old model number with unit serial number or ACM serial number. It is also necessary to provide new model number and type of desired software required for unit.
- @9 After assembling QOPV Kit of Accuload II, connect numbered wires from header (part of QOPV, item #80) to corresponding terminal points on I.O. Board, item #38.

The specifications contained herein are subject to change without notice and any user of said specifications should verify from the manufacturer that the specifications are currently in effect. Otherwise, the manufacturer assumes no responsibility for the use of specifications which may have been changed and are no longer in effect.

Headquarters:

1803 Gears Road, Houston, TX 77067 USA, Phone: 281/260-2190, Fax: 281/260-2191

Gas Measurement Products:

Erie, PA USA Phone 814/898-5000

Thetford, England Phone (44) 1842-82-2900

Kongsberg, Norway Phone (47) 32/286-700

Buenos Aires, Argentina Phone 54 (11) 4312-4736

Integrated Measurement Systems:

Corpus Christi, TX USA Phone 361/289-3400

Kongsberg, Norway Phone (47) 32/286-700

San Juan, Puerto Rico Phone 787/274-3760

United Arab Emirates, Dubai Phone 971 +4/331-3646

Liquid Measurement Products:

Erie, PA USA Phone 814/898-5000

Los Angeles, CA USA Phone 661/702-8660

Slough, England Phone (44) 1753-57-1515

Ellerbek, Germany Phone (49) 4101-3040

Barcelona, Spain Phone (34) 93/201-0989

Moscow, Russia Phone (7) 495/564-8705

Melbourne, Australia Phone (61) 3/9807-2818

Beijing, China Phone (86) 10/6500-2251

Singapore Phone (65) 6861-3011

Chennai, India Phone (91) 44/450-4400

Visit our website at www.fmctechnologies.com