

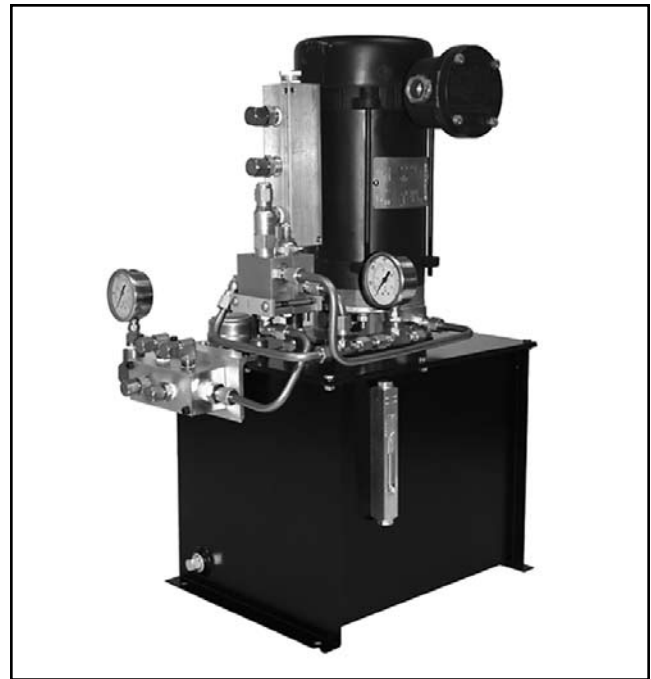
The **Smith Meter® Hydraulic Power Pack** is small and compact delivering dependable and consistent hydraulic pressure to your control valve actuators. No matter if your application is in a cold or warm climate, the HPP will increase the operating dependability of your actuated control valves. The power pack can control up to six independent valve actuators giving stable pressure that does not change with the system hydraulics.

Features

- **110/240 VAC 50/60 Hz Single Phase**
- **1 HP Explosion Proof Motor** – Class I, Div. I Groups C&D
- **3.0 GPM Gear Pump for fast response**
- **Hydraulic Supply and Return Manifolds** – Drives up to 6 valve actuators (Ref. Smith 215 series valves). Size 3/8" SAE for supply and 1/2" SAE for return.
- **5 Gallon Reservoir** – with top filler/breather, drain plug, and sight-level (small footprint)
- **Relief (Dump) Valve** – with adjustable set point 0 to 600 psig and liquid filled gauge
- **Supply Pressure Regulator** – with adjustable set point 0 to 200 psig with liquid filled gauge
- **On Demand** – Pump activates only when valve control is needed, used in conjunction with an AccuLoad or other preset controller.

Optional

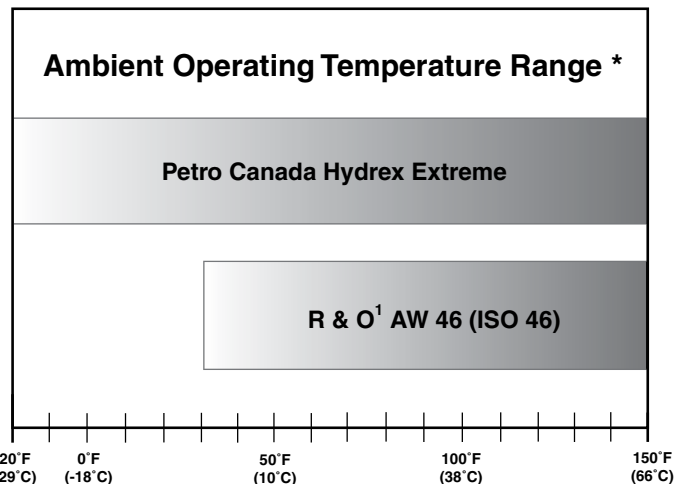
- **Oil Heater** – 110/240 VAC power with explosion proof junction box (explosion proof rating is Class I, Div. I Group C & D).



Operating Conditions

Ambient Operating Temperature Range: -20°F to 150°F (-29°C to 66°C)

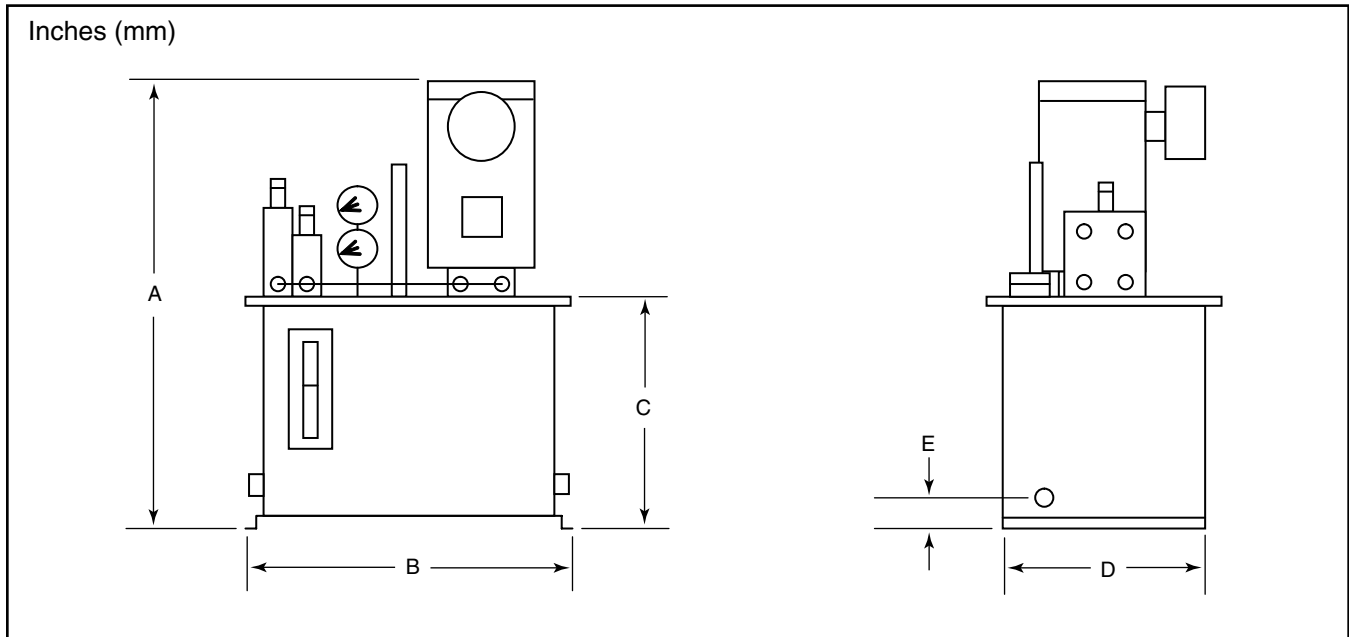
Hydraulic Fluid Recommendation Chart:



Note: * Pump Viscosity Range – 50 to 2000 SUS
7 to 430 CST

¹ Rust and Oxidation

Dimensions



A Inches (mm)	B Inches (mm)	C Inches (mm)	D Inches (mm)	E Inches (mm)
28" (711)	15.2" (387)	12" (305)	12" (305)	1.5" (38)

Note: Dimensions – Inches to the nearest tenth (millimeters to the nearest whole mm), each independently dimensioned from respective engineering drawings.

Revisions included in SS03044 Issue/Rev. 0.1 (3/08)

Page 1: Features adjusted, added, and omitted

Page 1: Operating Conditions adjusted; chart, note, and footnote added

The specifications contained herein are subject to change without notice and any user of said specifications should verify from the manufacturer that the specifications are currently in effect. Otherwise, the manufacturer assumes no responsibility for the use of specifications which may have been changed and are no longer in effect.

Headquarters:

500 North Sam Houston Parkway West, Suite 100, Houston, TX 77067 USA, Phone: +1 (281) 260-2190, Fax: +1 (281) 260-2191

Gas Measurement Products:

Houston, TX USA +1 (281) 260-2190
 Thetford, England +44 (1842) 82-2900
 Kongsberg, Norway +47 (32) 286-700
 Buenos Aires, Argentina +54 (11) 4312-4736

Integrated Measurement Systems:

Corpus Christi, TX USA +1 (361) 289-3400
 Kongsberg, Norway +47 (32) 286-700
 San Juan, Puerto Rico +1809 (787) 274-3760
 United Arab Emirates, Dubai +971 (4) 331-3646

Liquid Measurement Products:

Erie, PA USA +1 (814) 898-5000
 Los Angeles, CA USA +1 (310) 328-1236
 Slough, England +44 (1753) 57-1515
 Ellerbek, Germany +49 (4101) 304-0
 Barcelona, Spain +34 (93) 201-0989
 Moscow, Russia +7 (495) 564-8705
 Melbourne, Australia +61(3) 9807-2818

Beijing, China +86 (10) 6500-2251
 Singapore +65 6861-3011
 Chennai, India +91 (44) 450-4400

Visit our website at www.fmctechnologies.com/measurementsolutions