

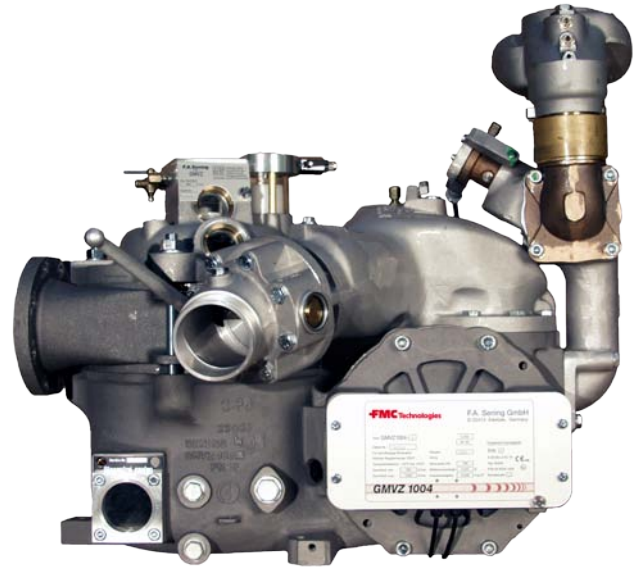
# Sening® GMVZ 1004

## Truck Meter Package

The Sening GMVZ 1004 meter works with a integrated gas extractor and strainer in combination with the Sening MultiFlow flow computer and MID\* approval.

The GMVZ 1004 was developed for pump and gravity discharge and meets all the requirements of a modern and intelligent metering system. The design combines the Smith Meter® rotary vane volumetric meter's high precision with the highly efficient Sening gas extractor technology.

There are a wide variety of applications for this metering system, which include fuel oil, diesel and gasoline including AvGas and JET A1 fuel. The GMVZ 1004 is also ideal for biofuels, E5 up to E85.



### Benefits:

- Compact and low weight design
- Premium accuracy
- Integrated pulse transmitter for Sening MultiFlow flow computer or other available brands
- High efficient special gas extractor with integrated strainer for meter protection and proper function under most severe conditions
- The highly accurate and robust Smith Meter rotary vane meter provides long-term stability
- Aerodynamic meter design allows for high flow rates in the pump and gravity discharge mode
- Cost-saving calibration due to a simple adjustment by the flow computer

## Sening® GMVZ 1004

### Approvals:

- MID
- various national approvals

### Technical Data:

**Maximum Flow Rate:** 1000 L/min (264 GPM)

**Standard Accuracy:**  $\pm 0.15\%$

**Viscosity:** 20 mPa·s (max.)

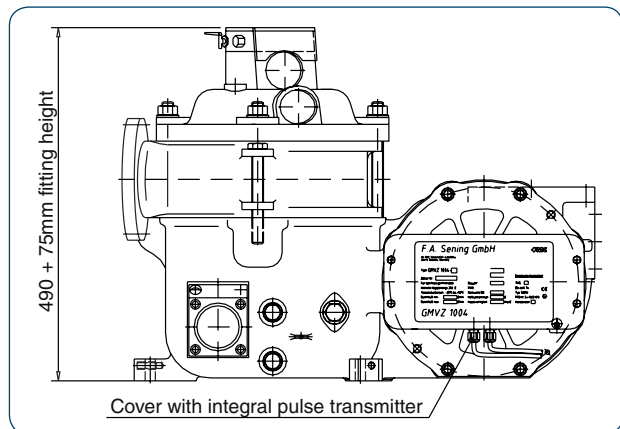
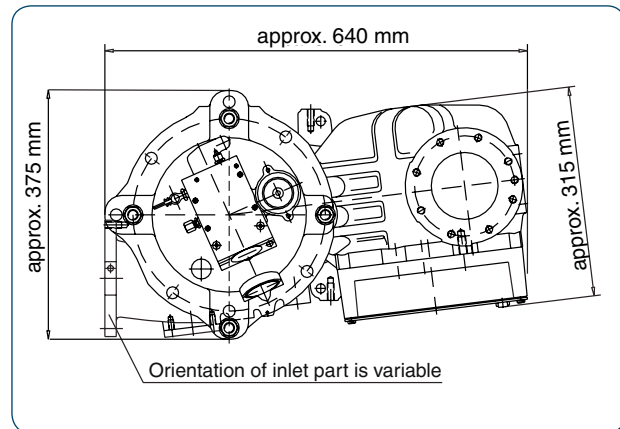
**Maximum Operating Pressure:** 10 bar (150 psi)

**Working Pressure:** 3 - 7.5 bar (45 - 110 psi)

**Discharge Temperature:** -25°C to 55°C (-13°F to 131°F)

**Weight:** Approximately 76 kg (168 lb)

\*Directive 2004/22/EC of the European Parliament and of the Council on measuring instruments (MID) came into force as of October 30, 2006. The main policy objective of the Directive is to facilitate and enhance a harmonized European market for instruments required for measuring tasks for reasons of consumer protection and fair trading. Directive 2004/22/EC establishes the essential requirements that measuring instruments have to satisfy prior to their placing on the market (transfer from manufacturer or dealer to the end user) and putting into use.



**We put you first.  
And keep you ahead.**

FMC Technologies, Inc.  
500 North Sam Houston  
Parkway West, Suite 100  
Houston, Texas 77067 USA  
+1 281 260 2190

Direct Contact:  
F. A. Sening GmbH  
Regentstrasse 1  
25474 Ellerbek, Germany  
+49 4101 3040