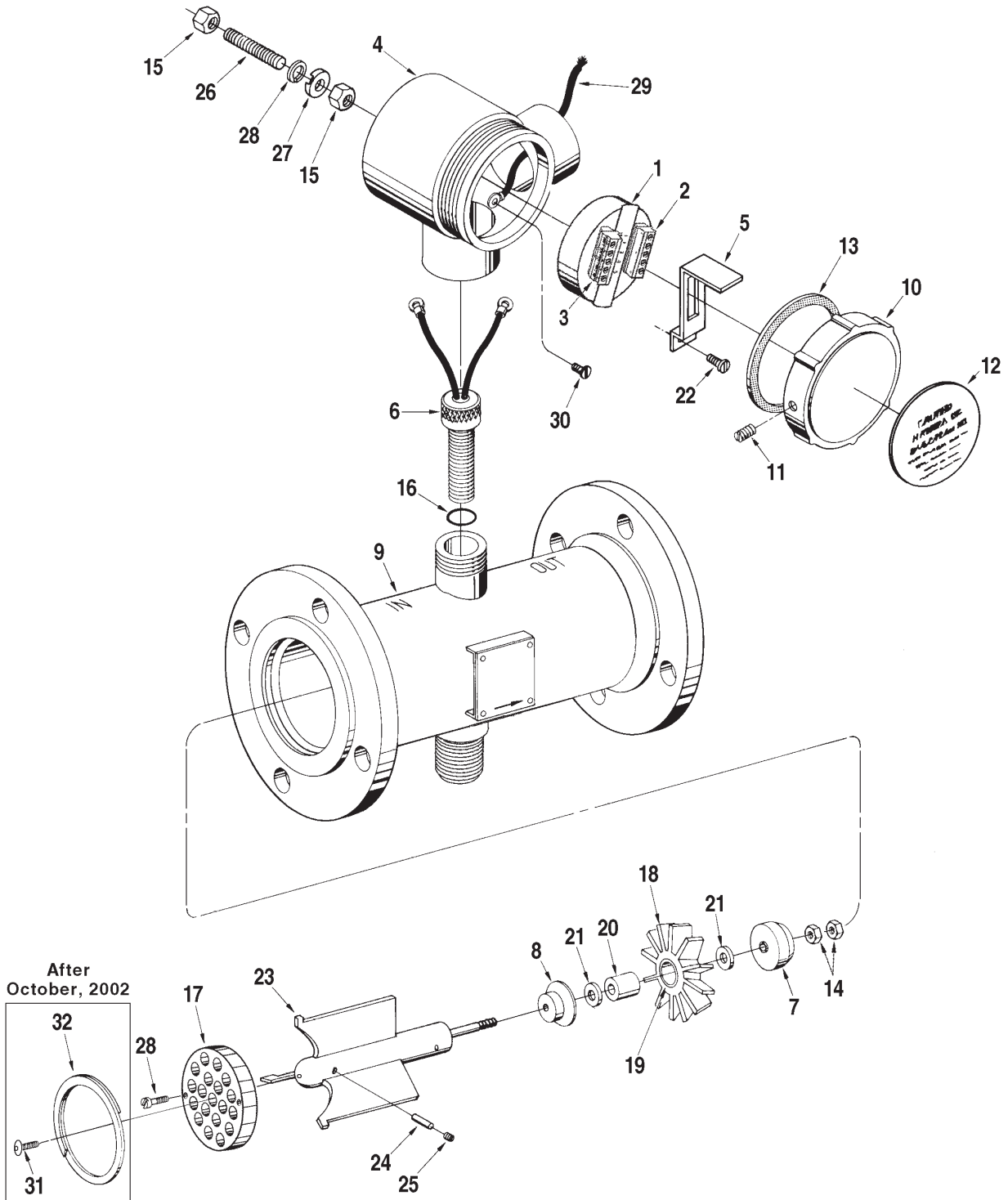


Meter, Turbine, 4 Inch, Guardsman™ LSJ-H, Model K2GE and LSJ-V Model K2SE Series

Bulletin PO02012 Issue/Rev. 0.0 (09/13)



Item	Description	Qty.	Part Number
1	+ Preamplifier:		
	PA-6, 12 to 24 Vdc.....	#	230663-101
2	Connector, (1-5)	#	645030-452
3	Connector, (6-10)	#	645030-453
4	Box, Conduit.....	#	543256-200
5	Clip, Retaining	#	543192-203
6	+ Coil, Pickup:		
	-100°F to 225°F	#	644327-401
	-100°F to 400°F (High Temperature Version)	#	641512-401
	Mating Connector with Leads (High Temperature Version)	#	540244-101
7	Cone, Downstream:		
	Horizontal.....	1	544156-210
	Vertical	1	544785-201
8	Cone, Upstream:		
	Horizontal.....	1	544155-201
	Vertical	1	544784-201
9	Housing	1	See Note 1
10	Cover, Conduit Box:		
	UL/CSA Approvals	#	543196-100
	ATEX – Manufactured in U.S.A.....	#	544057-101
	ATEX – Manufactured in Germany	#	544057-102
11	Screw, Set, #6-32 X 1/4"	#	643243-403
12	Label:		
	UL/CSA Approvals	#	543195-200
	ATEX – Manufactured in U.S.A.	#	544056-201
	ATEX – Manufactured in Germany	#	544056-202
13	Gasket, Cover	#	013403-200
14	Nut, #10-32.....	2	640704-001
15	Nut, Hex, 1/4"-20 (ATEX version only)	2	060060-001
16	@3 O-Ring (Carbon Steel Housings only)	#	641069-474
17	+ Plate, Compact Flow Conditioner:		
	Prior to October, 2002.....	1	544368-211
	After October, 2002.....	1	544368-212
18	Rotor Assembly, Horizontal & Vertical	1	544163-190
19	Rotor Bearing	1	540296-201
20	+ Bearing, Journal:		
	Horizontal.....	1	540305-208
	Vertical	1	540305-218
21	+ Washer, Thrust:		
	Horizontal.....	2	543643-202
	Vertical	2	543643-204
22	Screw, #10-32 x 1/4"	#	009544-401
23	Stator Assembly, Locking	1	544167-101
24	Pin, Dowel, 1/8 x 3/8"	1	644541-401
25	@2 Screw, Set, #10-32	1	645416-401
26	Stud (ATEX version only)	#	550773-001
27	Washer, Inverted (ATEX version only).....	#	550770-001
28	Washer, 1/4" Lock (ATEX version only).....	#	006621-001
29	Wire, Ground (UL/CSA version only).....	#	544058-101
30	Screw, #10-32 x 1/4" (UL/CSA version only).....	#	006110-002
31	Screw:		
	Prior to October, 2002 #10-32 x 1/2"	2	645791-401
	After October, 2002 #10-32 x 1/2"	1	646630-401
32	Ring, Retaining (After October, 2002)	1	644420-401

Item	Description	Qty.	Part Number
------	-------------	------	-------------

Internal Parts Kit

	Unidirectional – Horizontal	544804-104
	Unidirectional – Vertical.....	544804-105

- + Recommended stock.
- # Order quantity required.
- R Indicates revision since last issued.

@1 Note 1: Consult Factory, 814 898-5000, providing the following information:

1. Housing Material	4. Number of Pickup Coil Bosses
2. Flange Material	5. Flange Type
3. Flange Class (Pressure)	

@2 Note 2: Apply a small amount of Loctite (Part No. 643917-401) to set screw before installing.

@3 Note 3: O-Ring not required with Stainless Steel housing.

P0583.04X has been made obsolete and replaced by publication number PO02012 (September 2013).

The specifications contained herein are subject to change without notice and any user of said specifications should verify from the manufacturer that the specifications are currently in effect. Otherwise, the manufacturer assumes no responsibility for the use of specifications which may have been changed and are no longer in effect.

TechnipFMC.com

© TechnipFMC plc. 2020 All rights reserved. PO02012 Issue/Rev. 0.0 (09/13)

TechnipFMC
13460 Lockwood Road
Building S01
Houston, Texas 77044 USA
P:+1 281.591.4000

USA Operation
1602 Wagner Avenue
Erie, Pennsylvania 16510 USA
P:+1 814.898.5000

Germany Operation
Smith Meter GmbH
Regentstrasse 1
25474 Ellerbek, Germany
P:+49 4101 304.0