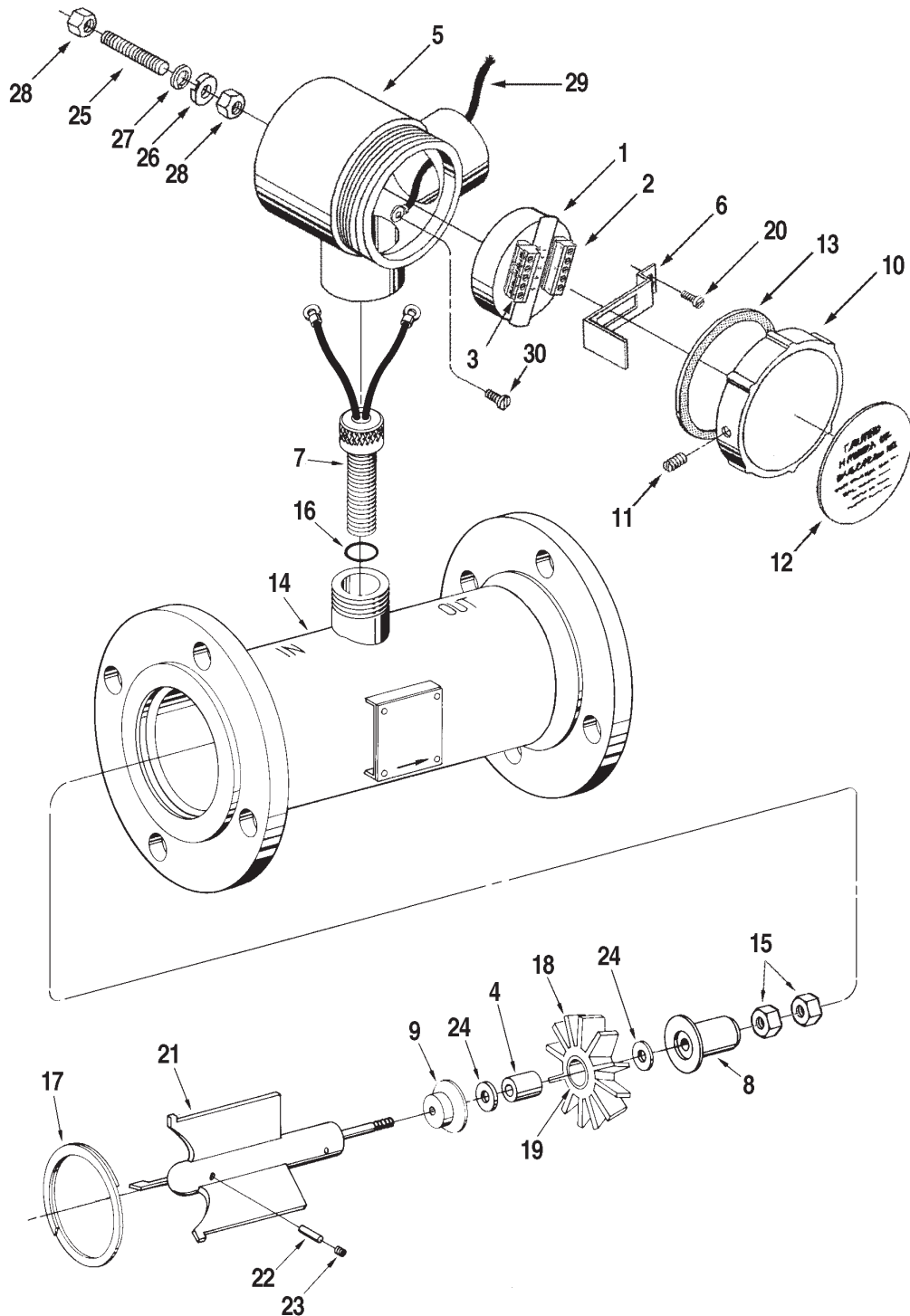


Meter, Turbine, 3 Inch, Guardsman™ G Series, Model K2BD

Bulletin PO02003 Issue/Rev. 0.0 (07/13)



Item		Description	Qty.	Part Number
1	+	Preamplifier:		
		PA-6, 12 to 24 Vdc	#	230663-101
2		Connector, (1-5).....	#	645030-452
3		Connector, (6-10).....	#	645030-453
4	+	Bearing, Platform:		
		Smooth	1	540305-208
5		Box, Conduit.....	#	543256-200
6		Clip, Retaining	#	543192-203
7		Coil, Pickup:		
		-100°F to 225°F	#	644327-401
		-100°F to 400°F (High Temperature Version).....	#	641512-401
		Mating Connector with Leads (High Temp. Version)	#	540244-101
8	@1@2	Cone, Downstream:		
		Unidirectional and Bidirectional	1	543340-210
9	@1@2	Cone, Upstream, 316 Stn. Stl., Current Design.....	1	543339-201
10		Cover, Conduit Box:		
		UL/CSA Approvals	#	543196-100
		ATEX – Manufactured in U.S.A.	#	544057-101
		ATEX – Manufactured in Germany	#	544057-102
11		Screw, #6-32 x 1/4"	#	643243-403
12		Label:		
		UL/CSA Approvals.....	#	543195-200
		ATEX – Manufactured in U.S.A.....	#	544056-201
		ATEX – Manufactured in Germany	#	544056-202
13		Gasket, Conduit Box.....	#	013403-200
14		Housing	1	See Note 3
15		Nut, Hex #10-32	2	640704-001
16	@6	O-Ring, Buna.....	#	641069-474
17	+	Ring, Retaining:		
		302 Stn. Stl.....	1	644420-401
18	@1	Rotor Assembly, Standard:		
		Current Design.....	1	540292-190
19		Bearing, Rotor.....	1	540296-201
20		Screw, #10-32 x 1/4"	#	009544-401
21	@4	Stator Assembly, 316 Stn. Stl.	1	543856-103
22		Pin, Dowel, 1/8 x 3/8".....	1	644541-401
23	@5	Screw, #10-32 x 3/8" Set	1	645416-401
24	+	Washer, Thrust:		
		Unidirectional and Bidirectional	2	543643-202
25		Stud (ATEX version only).....	#	550773-001
26		Washer, Inverted (ATEX version only).....	#	550770-001
27		Washer, 1/4" Lock (ATEX version only)	#	006621-001
28		Nut, Hex, 1/4"-20 (ATEX version only).....	#	060060-001
29		Ground Wire (UL/CSA version only).....	#	544058-101
30		Screw, #10-32 x 1/4" (UL/CSA version only).....	#	006110-002

Internal Parts Kits

Unidirectional – Smooth Bearing.....	543849-101
Bidirectional – Smooth Bearing.....	543849-102

- + Recommended stock.
- # Order quantity required.
- @1 Note 1: Due to a change in the design of this meter in August of 1987, it is necessary to determine whether your meter is of current or previous design. Standard serial numbers up to and including 5015 and special serial numbers up to and including 200779 are considered previous design. Numbers higher than those are current design. These numbers can be found on the nameplate of the meter and on the stator.
- @2 Note 2: Should either an upstream or downstream cone require replacement on a previous design meter, it will be necessary to replace both at the same time. Cones on current design meters can be replaced individually.
- @3 Note 3: Consult Factory, (814) 898-5000. Provide Model No. and Serial No. and advise:
 - 1. Uni or Bidirectional
 - 2. Housing Material
 - 3. Flange Material
 - 4. Flange Class (Pressure)
 - 5. Number of Pickup Coil Bosses
 - 6. Type of Flanges
- @4 Note 4: If problems are encountered during installation of stator, please contact Factory, (814) 898-5000.
- @5 Note 5: Apply small amount of Loctite (Part No. 643917-401) to set screw before installing.
- @6 Note 6: O-Ring not required for Stainless Steel Housings.

P0575.10X has been made obsolete and replaced by publication number PO02003 (July 2013).

The specifications contained herein are subject to change without notice and any user of said specifications should verify from the manufacturer that the specifications are currently in effect. Otherwise, the manufacturer assumes no responsibility for the use of specifications which may have been changed and are no longer in effect.

TechnipFMC.com

© TechnipFMC plc. 2020 All rights reserved. PO02003 Issue/Rev. 0.0 (07/13)

TechnipFMC
13460 Lockwood Road
Building S01
Houston, Texas 77044 USA
P:+1 281.591.4000

USA Operation
1602 Wagner Avenue
Erie, Pennsylvania 16510 USA
P:+1 814.898.5000

Germany Operation
Smith Meter GmbH
Regentstrasse 1
25474 Ellerbek, Germany
P:+49 4101 304.0