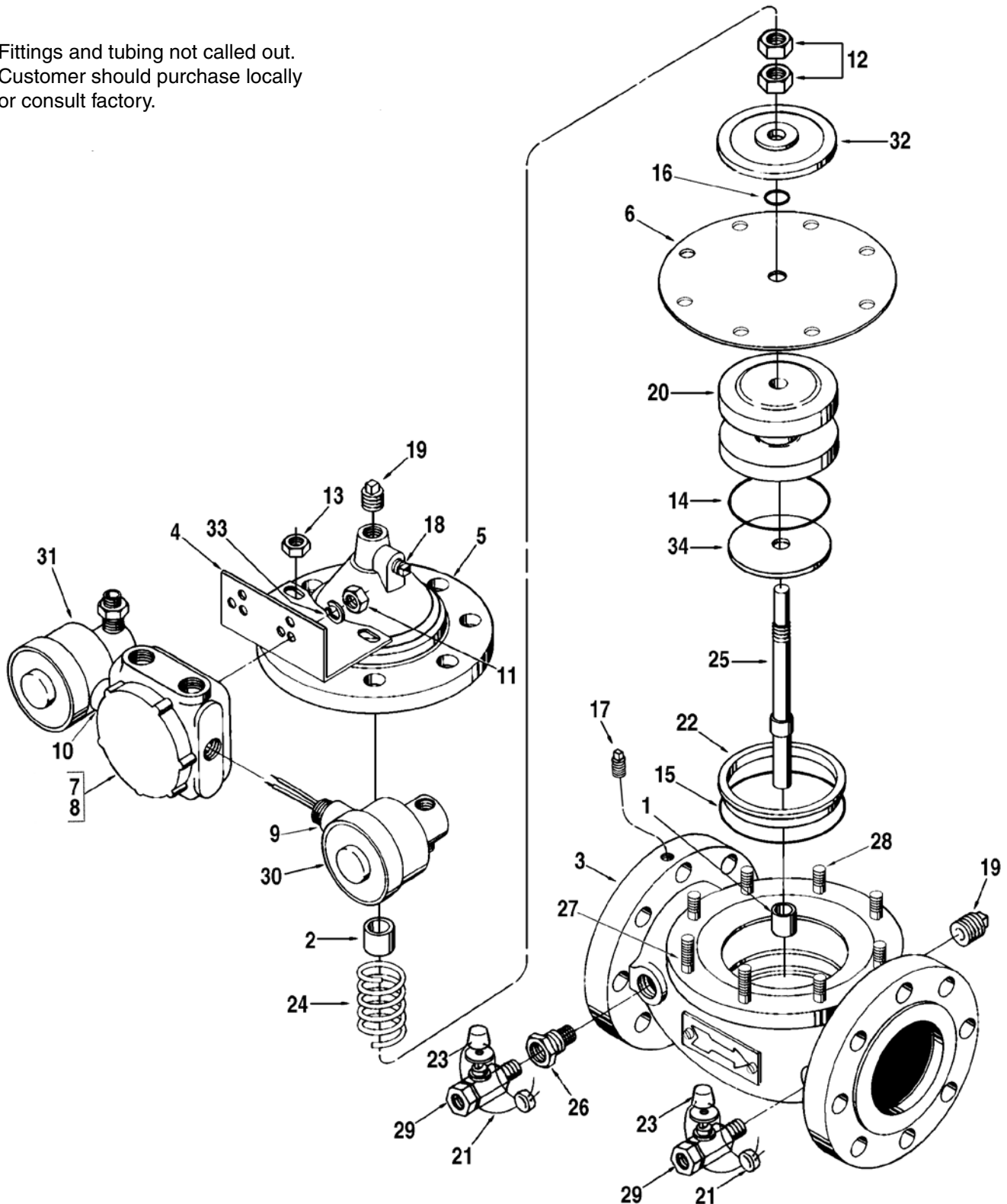


Fittings and tubing not called out.
Customer should purchase locally
or consult factory.



Item	Description	Qty.	Part Number
1	†Bearing, Body (Ni-Resist).....	1	529675-003
2	†Bearing, Cover (Ni-Resist)	1	529675-002
3	Body, Cast Steel, 150#	1	524108-001
4	Bracket, Junction Box	1	528744-001
5	Cover, 150#	1	507266-004
6	+ Diaphragm:		
	Low Swell Buna	1	507378-008
	Viton.....	1	507378-003
	Buna-N	1	507378-001
7	Junction Box Kit.....	1	528496-002
8	Junction Box	1	528454-001
9	Nipple, 1/2" x 1-1/8".....	1	009630-400
10	Nipple, 1/2" x 2"	1	642557-418
11	Nut 5/16"-18 (Low Carbon Steel)	2	002876-400
12	Nut, Stem, 3/8"-24	2	643756-406
13	Nut 5/16"-18	8	642148-415
14	+ O-Ring, Retainer:		
	Low Swell Buna	1	646159-412
	Viton.....	1	640833-002
15	+ O-Ring, Seat:		
	Buna-N.....	1	640887-426
	Viton.....	1	640798-435
16	+ O-Ring, Stem:		
	Buna-N.....	1	640887-404
	Viton.....	1	640798-002
17	Plug, Pipe, 1/8" NPT.....	1	006073-002
18	Plug, Pipe, 1/4" NPT.....	1	002407-402
19	Plug, Pipe, 3/8" NPT.....	3	003131-402
20	Retainer, O-Ring.....	1	507682-011
21	Seal, Lead and Wire	2	001627-400
22	Seat.....	1	507802-011
23	Shell	2	643706-401
24	Spring.....	1	507742-001
25	Stem	1	507848-001
26	Strainer, Model 09SC	1	528734-001
27	Stud, Bracket.....	2	643823-406
28	Stud, Cover.....	6	643823-405
29	Valve, Needle, Model 13.....	2	527065-001
30	@1 Valve, Solenoid, Model 30A N.C.....	1	See Note
31	@1 Valve, Solenoid, Model 30B N.O.....	1	See Note
32	Washer, Diaphragm, Stainless Steel	1	507979-008
33	Washer, Lock.....	2	002917-400
34	Washer, O-Ring.....	1	508022-011

+ Recommended stock.

R Indicates changes since last revision.

* Not Illustrated.

@1 When ordering, the following information is required:

- Valve assembly number or valve serial number.
- Electrical requirements.
- Catalog number, displayed on the nameplate of the solenoid.
- or
- Log number, displayed on the nameplate of the valve body.

† Bearing may need reaming once pressed into cover or body.

Revisions included in P1076.02 Issue/Rev. 0.2 (7/11):
Added Junction Box Kit – Adjusted item numbering and exploded view.

The specifications contained herein are subject to change without notice and any user of said specifications should verify from the manufacturer that the specifications are currently in effect. Otherwise, the manufacturer assumes no responsibility for the use of specifications which may have been changed and are no longer in effect.

Contact information is subject to change. For the most current contact information, visit our website at www.fmctechnologies.com/measurementsolutions and click on the "Contact Us" link in the left-hand column.

Headquarters:

500 North Sam Houston Parkway West, Suite 100, Houston, TX 77067 USA, Phone: +1 (281) 260 2190, Fax: +1 (281) 260 2191

Measurement Products and Equipment:

Erie, PA USA +1 (814) 898 5000

Ellerbek, Germany +49 (4101) 3040

Barcelona, Spain +34 (93) 201 0989

Beijing, China +86 (10) 6500 2251

Buenos Aires, Argentina +54 (11) 4312 4736

Burnham, England +44 (1628) 603205

Dubai, United Arab Emirates +971 (4) 883 0303

Los Angeles, CA USA +1 (310) 328 1236

Melbourne, Australia +61 (3) 9807 2818

Moscow, Russia +7 (495) 5648705

Singapore, +65 6861 3011

Integrated Measurement Systems:

Corpus Christi, TX USA +1 (361) 289 3400

Kongsberg, Norway +47 (32) 286700

Dubai, United Arab Emirates +971 (4) 883 0303

Visit our website at www.fmctechnologies.com/measurementsolutions