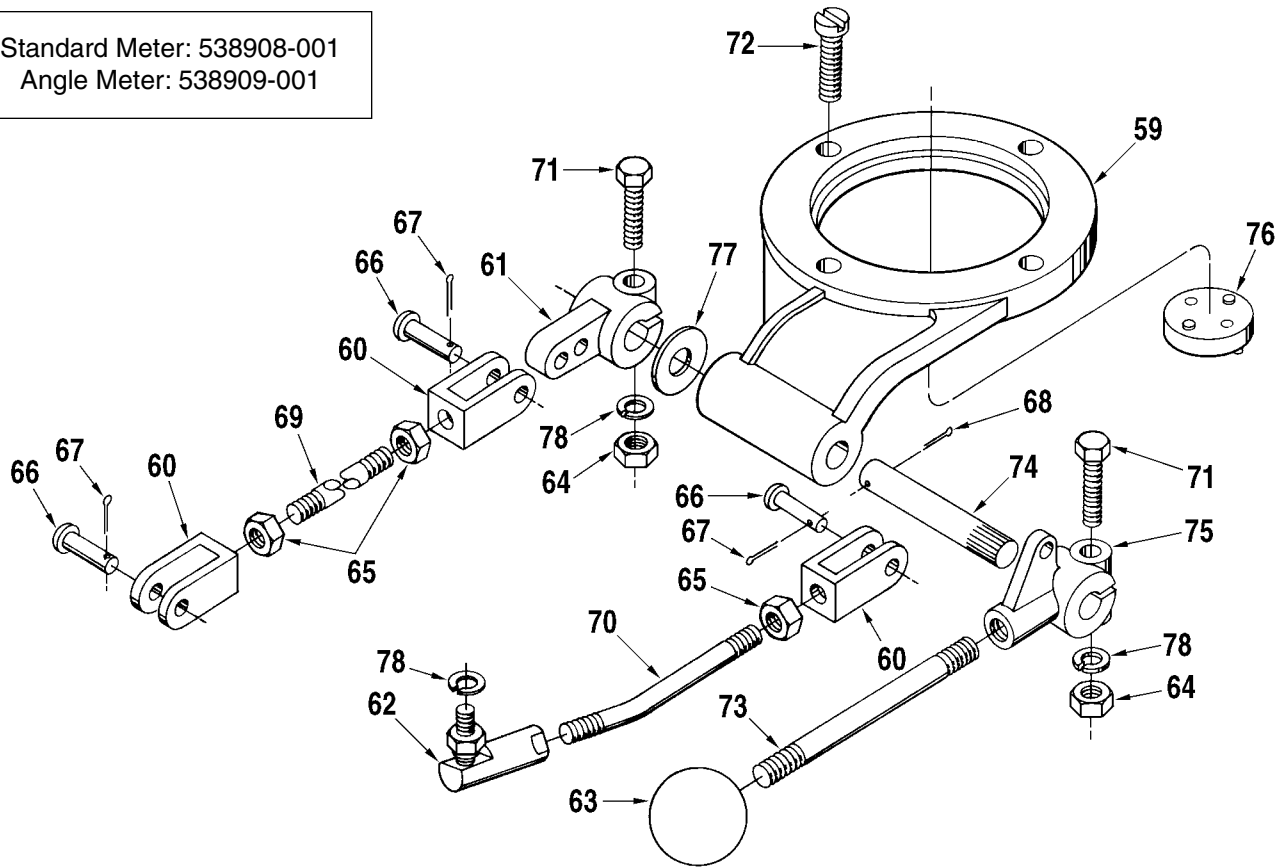


Valve Linkage Assembly

(For use with Veeder-Root Preset Counter only. For Smith-style Preset Counter Linkage, see Form No. P0303.*)

Standard Meter: 538908-001
Angle Meter: 538909-001



| Item | Description | Qty. | Part Number |
|------|--|------|-------------|
| 1 | Adjuster, Needle Valve: Buna-N Trim | 1 | 518814-001 |
| | Viton Trim | 1 | 518814-002 |
| 2 | Cup, Adjuster..... | 1 | 518818-001 |
| 3 | + Gland..... | 1 | 518817-001 |
| 4 | + O-Ring: | | |
| | Buna-N | 1 | 642586-406 |
| | Viton..... | 1 | 640798-433 |
| 5 | Pin, Roll, 1/16 x 1/2" | 1 | 015129-400 |
| 6 | Pin, Roll, 1/16 x 7/16" | 1 | 642431-404 |
| 7 | Ring, Retaining..... | 1 | 640822-407 |
| 8 | Spring..... | 1 | 518821-001 |
| 9 | Stem..... | 1 | 518820-001 |
| 10 | Washer | 1 | 518819-001 |
| 11 | Washer | 1 | 640652-001 |
| 12 | Blind, Gland Opening | 1 | 011941-001 |
| 13 | Body | 1 | 535553-001 |
| 14 | Bushing..... | 2 | 518912-001 |
| 15 | + Bushing, Gland Shaft | 1 | 503685-001 |
| 16 | Collar, Shaft Lever..... | 1 | 503681-001 |
| 17 | Cone, End | 1 | 013686-001 |
| 18 | Cylinder: | | |
| | Standard | 1 | 518810-002 |
| | All Iron..... | 1 | 536917-001 |
| 19 | Expander, Piston Ring..... | 1 | 518812-001 |

| Item | Description | Qty. | Part Number |
|------|-------------------------------------|------|-------------|
| 20 | + Gasket, Gland Cover | 2 | 011940-001 |
| 21 | Lever, Operating | 1 | 550459-001 |
| 22 | Lever, Valve | 1 | 550645-001 |
| 23 | Nut, Operating Lever, 1/4"-28 | 1 | 002077-400 |
| 24 | + O-Ring: | | |
| | Buna-N..... | 1 | 640913-003 |
| | Viton..... | 1 | 641276-403 |
| 25 | + O-Ring: | | |
| | Buna-N..... | 1 | 641070-416 |
| | Viton..... | 1 | 641276-413 |
| 26 | Pin, Groove, 1/8 x 3/4" | 1 | 006127-002 |
| 27 | Piston and Cone: | | |
| | Buna-N..... | 1 | 518937-002 |
| | Viton..... | 1 | 518937-001 |
| | All Iron Viton Trim | 1 | 536904-002 |
| 28 | Cone, Valve: | | |
| | Standard | 1 | 013691-001 |
| | All Iron | 1 | 536915-001 |
| 29 | Pin, Retaining..... | 1 | 012449-001 |
| 30 | Piston: | | |
| | Standard | 1 | 518825-001 |
| | All Iron | 1 | 536916-001 |
| 31 | + Ring, Valve: | | |
| | Buna-N | 1 | 011908-001 |
| | Viton..... | 1 | 506905-001 |
| 32 | Screw, 5/16-24 x 2-1/2" | 4 | 060317-002 |
| 33 | Seat, Shut-Off | 1 | 012444-001 |
| 34 | Shaft: | | |
| | Standard | 1 | 070908-001 |
| | All Iron | 1 | 536899-001 |
| 35 | Spring..... | 1 | 012446-001 |
| 36 | Spring, Shut-Off Seat..... | 1 | 012447-001 |
| 37 | Valve, Pilot: | | |
| | Buna-N | 1 | 072101-001 |
| | Viton..... | 1 | 511671-001 |
| | All Iron Viton | 1 | 511671-002 |
| 38 | Guide: | | |
| | Standard..... | 1 | 014084-001 |
| | All Iron | 1 | 014084-002 |
| 39 | + Seat: | | |
| | Buna-N | 1 | 014085-001 |
| | Viton | 1 | 506999-001 |
| 40 | Plug, Pipe, 1/4" NPT..... | 1 | 002407-402 |
| 41 | Retainer, Thrust..... | 1 | 503682-001 |
| 42 | Ring, Piston | 2 | 518811-001 |
| 43 | Ring, Retaining..... | 1 | 535550-001 |
| 44 | Screw, 1/4-20 x 3/4" | 4 | 642072-407 |
| 45 | Screw, 1/4-28 x 1-1/4" | 1 | 009934-400 |
| 46 | Screw, 5/16-24 x 7/8" | 4 | 006283-002 |
| 47 | Screw, #10-32 x 1/2" | 2 | 015170-400 |
| 48 | Shaft, Lever | 1 | 011904-001 |
| 49 | Spring, Gland Washer | 1 | 503684-001 |
| 50 | Spring, Piston | 1 | 012448-001 |
| 51 | Valve, Tappet | 1 | 071757-001 |
| 52 | Collar | 2 | 012523-001 |
| 53 | Pin, Groove, 1/8 x 1" | 2 | 006200-002 |
| 54 | Sleeve | 1 | 013685-001 |

| Item | Description | Qty. | Part Number |
|-------------------------------|----------------------------------|------|-------------|
| 55 | Valve, Needle | 1 | 518822-001 |
| 56 | Washer, Gland..... | 1 | 503683-001 |
| 57 | Washer, 1/4" Lock Spring | 1 | 002069-400 |
| 58 | Washer, Lock..... | 2 | 009757-400 |
| Valve Linkage Assembly | | | |
| 59 | Adapter, Control Lever..... | 1 | 518381-001 |
| 60 | + Clevis..... | 3 | 013192-001 |
| 61 | Crank..... | 1 | 518379-001 |
| 62 | Joint, Ball..... | 1 | 643134-402 |
| 63 | Knob | 1 | 006660-001 |
| 64 | Nut, 1/4"-28 | 2 | 002077-400 |
| 65 | Nut, 5/16"-24 | # | 005292-400 |
| 66 | + Pin, Clevis..... | 3 | 644513-401 |
| 67 | Pin, Cotter, 1/16 x 3/8"..... | 6 | 009825-400 |
| 68 | Pin, Cotter, 3/32 x 1-1/4" | 1 | 006373-001 |
| 69 | Rod, Tie (Specify Length)..... | 1 | 013193-001 |
| 70 | Rod, Tie | 1 | 538910-001 |
| 71 | Screw, 1/4-28 x 1-1/4" | 2 | 009934-400 |
| 72 | Screw, 3/8-16 x 1-1/2" | 2 | 060452-002 |
| 73 | Shaft, Handle..... | 1 | 518640-001 |
| 74 | Shaft, Valve Control: | | |
| | Straight-Through Meter..... | 1 | 518639-001 |
| | Angle Meter | 1 | 519369-001 |
| 75 | Socket, Crank, and Handle..... | 1 | 518377-002 |
| 76 | Spacer, Drive Coupling..... | 1 | 533020-001 |
| 77 | Washer | 1 | 065309-002 |
| 78 | Washer, 1/4" Lock Spring | 3 | 002069-400 |

+ Recommended stock.

Order quantity required.

* The latest edition is indicated by a 2-digit postscript (e.g., .01, .02, etc.).

The specifications contained herein are subject to change without notice and any user of said specifications should verify from the manufacturer that the specifications are currently in effect. Otherwise, the manufacturer assumes no responsibility for the use of specifications which may have been changed and are no longer in effect.

Headquarters:

1803 Gears Road, Houston, TX 77067 USA, Phone: 281/260-2190, Fax: 281/260-2191

Gas Measurement Products:

Erie, PA USA Phone 814/898-5000
 Thetford, England Phone (44) 1842-82-2900
 Kongsberg, Norway Phone (47) 32/286-700
 Buenos Aires, Argentina Phone 54 (11) 4312-4736

Liquid Measurement Products:

Erie, PA USA Phone 814/898-5000
 Los Angeles, CA USA Phone 661/702-8660
 Slough, England Phone (44) 1753-57-1515
 Ellerbek, Germany Phone (49) 4101-3040
 Barcelona, Spain Phone (34) 93/201-0989
 Moscow, Russia Phone (7) 495/564-8705
 Melbourne, Australia Phone (61) 3/9807-2818

Beijing, China Phone (86) 10/6500-2251
 Singapore Phone (65) 6861-3011
 Chennai, India Phone (91) 44/450-4400

Integrated Measurement Systems:

Corpus Christi, TX USA Phone 361/289-3400
 Kongsberg, Norway Phone (47) 32/286-700
 San Juan, Puerto Rico Phone 787/274-3760
 United Arab Emirates, Dubai Phone 971 +4/331-3646

Visit our website at www.fmctechnologies.com