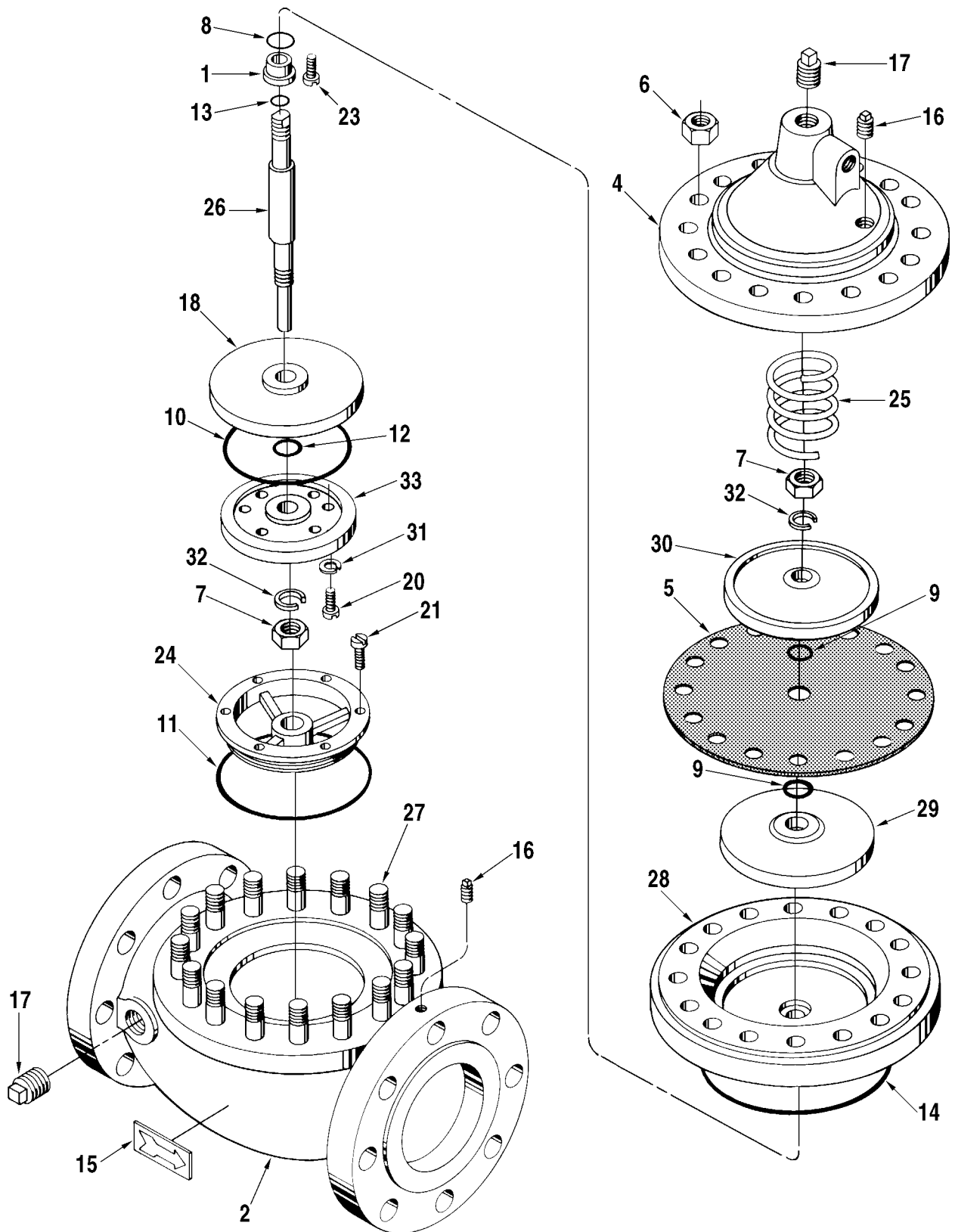


Previous  
Design



Item	Description	Qty.	Current Design	Previous Design
1	Bearing .....	1	529385-001	528398-001
2	Body:			
	Class 150 Steel .....	1	528871-003	528237-001
	Class 300 Steel .....	1	528871-004	528237-002
3	Button, Rest .....	3	644361-401	.....
4	Cover .....	1	529386-001	528400-001
5	+ Diaphragm:			
	Buna-N .....	1	528239-001	528477-001
	Viton .....	1	528239-002	528477-002
6	Nut, Hex, 3/4"-10, SF .....	20	642138-406	642138-406
7	Nut, Jam:			
	1-3/8"-12, UNF .....	2	640819-413	.....
	1-1/2"-12, UNF .....	2	.....	640819-409
8	+ O-Ring, Bearing:			
	Buna-N .....	1	641070-420	640887-431
	Viton .....	1	641276-430	640798-439
9	+ O-Ring, Diaphragm:			
	Buna-N .....	2	640888-009	641069-416
	Viton .....	2	640894-404	640894-450
10	+ O-Ring, Retainer:			
	Buna-N .....	1	642589-416	642589-416
	Viton .....	1	640895-415	640895-415
11	+ O-Ring, Seat:			
	Buna-N .....	1	641069-460	641069-460
	Viton .....	1	640894-443	640894-443
12	+ O-Ring, Stem:			
	Buna-N .....	1	640888-004	640173-023
	Viton .....	1	640894-406	640894-403
13	+ O-Ring, Stem/Bearing:			
	Buna-N .....	1	641471-415	641471-414
	Viton .....	1	640833-415	640833-413
14	+ O-Ring, Wafer:			
	Buna-N .....	1	641471-409	641471-409
	Viton .....	1	640833-414	640833-414
15	Plate, Arrow .....	1	508553-001	508553-001
16	Plug, Pipe, 1/8" NPT .....	3	644522-401	006073-002
17	Plug, Pipe, 3/4" NPT .....	6	006878-002	006878-002
18	Retainer, O-Ring .....	1	529279-001	528399-002
19	Ring, Retaining .....	1	643579-404	.....
20	Screw, 3/8-16 x 7/8" .....	6	643152-403	643152-403
21	Screw, 1/4-20 x 1/2" .....	6	643908-401	643908-401
22	Screw, 3/8-16 x 1" .....	6	006474-401	.....
23	Screw, 1/4-20 x 1/2" .....	2	.....	641526-401
24	Seat .....	1	528233-004	528233-001
25	Spring .....	1	528238-001	528238-001
26	Stem .....	1	529384-001	528392-001
27	Stud .....	20	640528-406	640528-406
28	Wafer, Insert .....	1	529387-001	528396-001
29	Washer, Bottom Diaphragm.....	1	529271-001	528397-001
30	Washer, Top Diaphragm.....	1	529270-001	528397-001
31	Washer, Lock, 3/8" .....	6	643164-402	643164-402
32	Washer, Lock:			
	1-3/8" .....	2	643164-410	.....
	1-1/2" .....	2	.....	643164-409
33	Washer, Seal.....	1	528226-001	528226-001

+ Recommended stock.

The specifications contained herein are subject to change without notice and any user of said specifications should verify from the manufacturer that the specifications are currently in effect. Otherwise, the manufacturer assumes no responsibility for the use of specifications which may have been changed and are no longer in effect.

---

**Headquarters:**

1803 Gears Road, Houston, TX 77067 USA, Phone: 281/260-2190, Fax: 281/260-2191

**Gas Measurement Products:**

**Erie, PA USA** Phone 814/898-5000

**Thetford, England** Phone (44) 1842-82-2900

**Kongsberg, Norway** Phone (47) 32/286-700

**Buenos Aires, Argentina** Phone 54 (11) 4312-4736

**Integrated Measurement Systems:**

**Corpus Christi, TX USA** Phone 361/289-3400

**Kongsberg, Norway** Phone (47) 32/286-700

**San Juan, Puerto Rico** Phone 787/274-3760

**United Arab Emirates, Dubai** Phone 971 +4/331-3646

**Liquid Measurement Products:**

**Erie, PA USA** Phone 814/898-5000

**Los Angeles, CA USA** Phone 661/702-8660

**Slough, England** Phone (44) 1753-57-1515

**Ellerbek, Germany** Phone (49) 4101-3040

**Barcelona, Spain** Phone (34) 93/201-0989

**Moscow, Russia** Phone (7) 495/564-8705

**Melbourne, Australia** Phone (61) 3/9807-2818

**Beijing, China** Phone (86) 10/6500-2251

**Singapore** Phone (65) 6861-3011

**Chennai, India** Phone (91) 44/450-4400

**Visit our website at [www.fmctechnologies.com](http://www.fmctechnologies.com)**