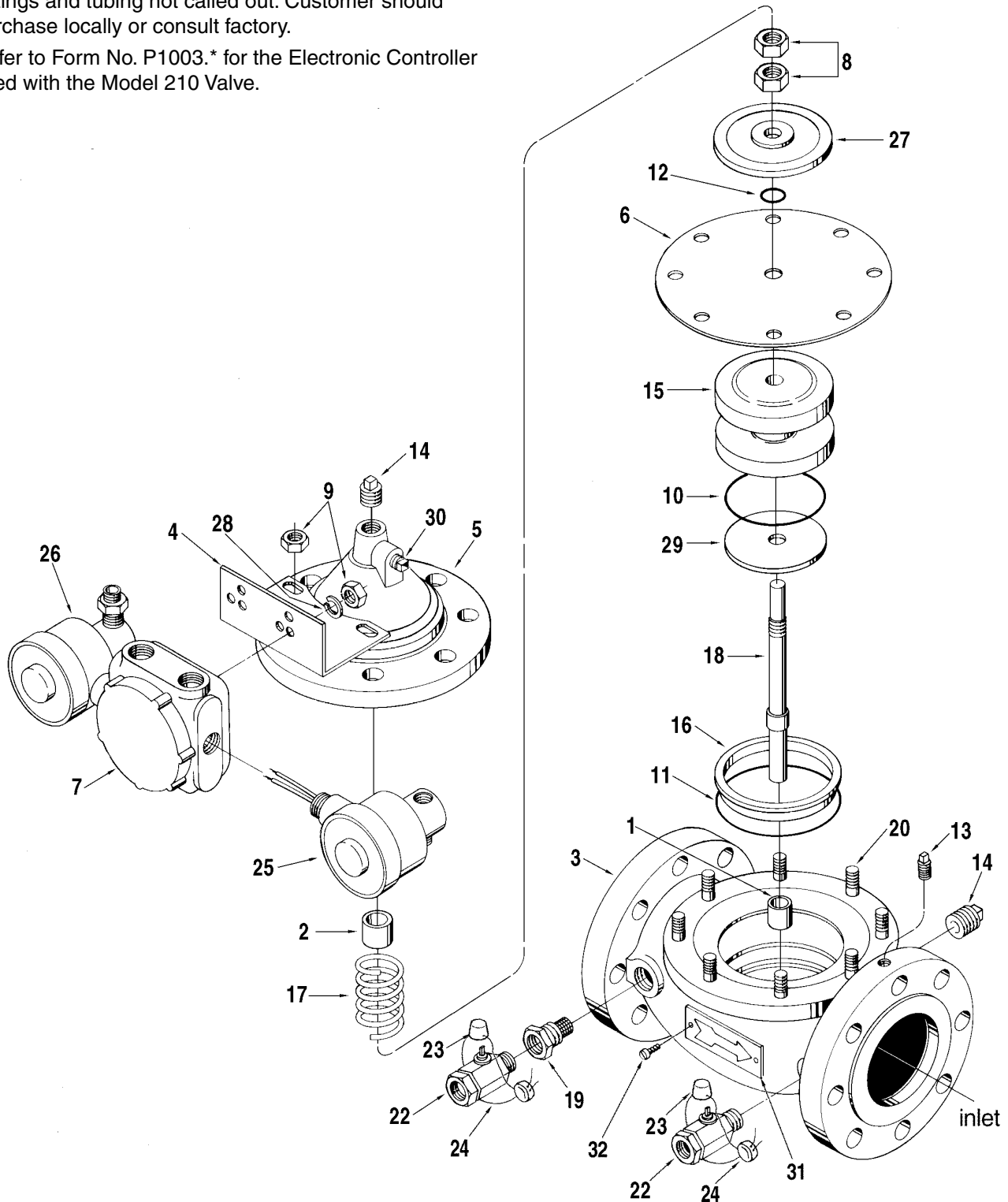


Fittings and tubing not called out. Customer should purchase locally or consult factory.

Refer to Form No. P1003.* for the Electronic Controller used with the Model 210 Valve.



* The latest edition is indicated by a two-digit postscript (e.g., .01, .02, etc.).

Item	Description	Qty.	Part Number
1	Bearing, Body: Standard Valve (Ni-Resist).....	1	524262-006
2	Bearing, Cover: Standard Valve (Ni-Resist).....	1	524262-005
3	Body: Cast Steel, 150#	1	524108-001
	Cast Steel, 300#	1	523485-005
4	Bracket	1	528452-001
5	Cover: Standard, 150#	1	507266-004
	Standard, 300#	1	507266-009
6	+ Diaphragm: Low Swell Buna	1	507378-008
	Viton.....	1	507378-003
	Buna-N.....	1	507378-001
7	Junction Box.....	1	528496-002
8	Nut, Stem, 3/8"-24.....	2	643756-406
9	Nut: Low Swell Buna Version, 5/16"-18	10	642148-415
	All Other Versions, 5/16"-18.....	10	002876-400
10	+ O-Ring, Retainer: Low Swell Buna	1	507560-008
	Viton.....	1	507560-004
11	+ O-Ring, Seat: Buna-N.....	1	640887-426
	Viton.....	1	640798-435
12	+ O-Ring, Stem: Buna-N.....	1	640887-004
	Viton.....	1	640798-002
13	Plug, Pipe, 1/8" NPT.....	1	006073-002
14	Plug, Pipe, 3/8" NPT.....	3	003131-402
15	Retainer, O-Ring: Standard Valve.....	1	507682-003
16	Seat: Ni-Resist, Standard Valve	1	507802-004
17	Spring.....	1	507742-001
18	Stem.....	1	507848-001
19	Strainer, Model 09SC	1	528734-001
20	Cover Stud: 5/16" - 18 x 1 3/8"	6	643823-405
21	* Bracket Stud: 5/16" - 18 x 1 3/4".....	2	643823-406
22	Valve, Needle, Model 13 3/8"	2	643710-401
23	Shell	2	643706-401
24	Seal, Lead, and Wire.....	2	001627-400
25	@1 Valve, Solenoid, Model 30A N.C.....	1	See Note
26	@1 Valve, Solenoid, Model 30B N.O.....	1	See Note
27	Washer, Diaphragm: Standard Valve – Stainless Steel	1	507979-003
28	Washer, Lock.....	2	002917-400
29	Washer, O-Ring: Standard Valve	1	508022-005
30	Plug, Pipe, 1/4" NPT.....	1	002407-402
31	Plate, Arrow.....	1	508533-001
32	Screw, 3/16" Drive	2	640813-001

Item	Description	Qty.	Part Number
+	Recommended stock.		
R	Indicates changes since last revision.		
*	Not Illustrated.		
@1	When ordering, the following information is required:		
	1. Electrical Requirements		
	2. Catalog number displayed on the nameplate of the solenoid, or		
	3. Log number displayed on the nameplate of the valve body.		

Revisions included in P1034.08 Issue/Rev. 0.8 (11/09):
Total Revision.

The specifications contained herein are subject to change without notice and any user of said specifications should verify from the manufacturer that the specifications are currently in effect. Otherwise, the manufacturer assumes no responsibility for the use of specifications which may have been changed and are no longer in effect.

Contact information is subject to change. For the most current contact information, visit our website at www.fmctechnologies.com/measurementsolutions and click on the "Contact Us" link in the left-hand column.

Headquarters:

500 North Sam Houston Parkway West, Suite 100, Houston, TX 77067 USA, Phone: +1 (281) 260 2190, Fax: +1 (281) 260 2191

Gas Measurement Products:

Erie, PA USA +1 (814) 898 5000
Ellerbek, Germany +49 (4101) 3040
Thetford, England +44 (1842) 822900
Kongsberg, Norway +47 (32) 28 67 00
Buenos Aires, Argentina +54 (11) 4312 4736

Integrated Measurement Systems:

Corpus Christi, TX USA +1 (361) 289 3400
Kongsberg, Norway +47 (32) 28 67 00
San Juan, Puerto Rico +1 (787) 772 8100
United Arab Emirates, Dubai +971 (4) 883 0303

Liquid Measurement Products:

Erie, PA USA +1 (814) 898 5000
Los Angeles, CA USA +1 (310) 328 1236
Ellerbek, Germany +49 (4101) 3040
Slough, England +44 (1753) 571515
Barcelona, Spain +34 (93) 201 0989
Moscow, Russia +7 (495) 5648705
Melbourne, Australia +61 (3) 9807 2818

Beijing, China +86 (10) 6500 2251
Singapore +65 6861 3011
Chennai, India +91 (44) 450 4400

Visit our website at www.fmctechnologies.com/measurementsolutions