

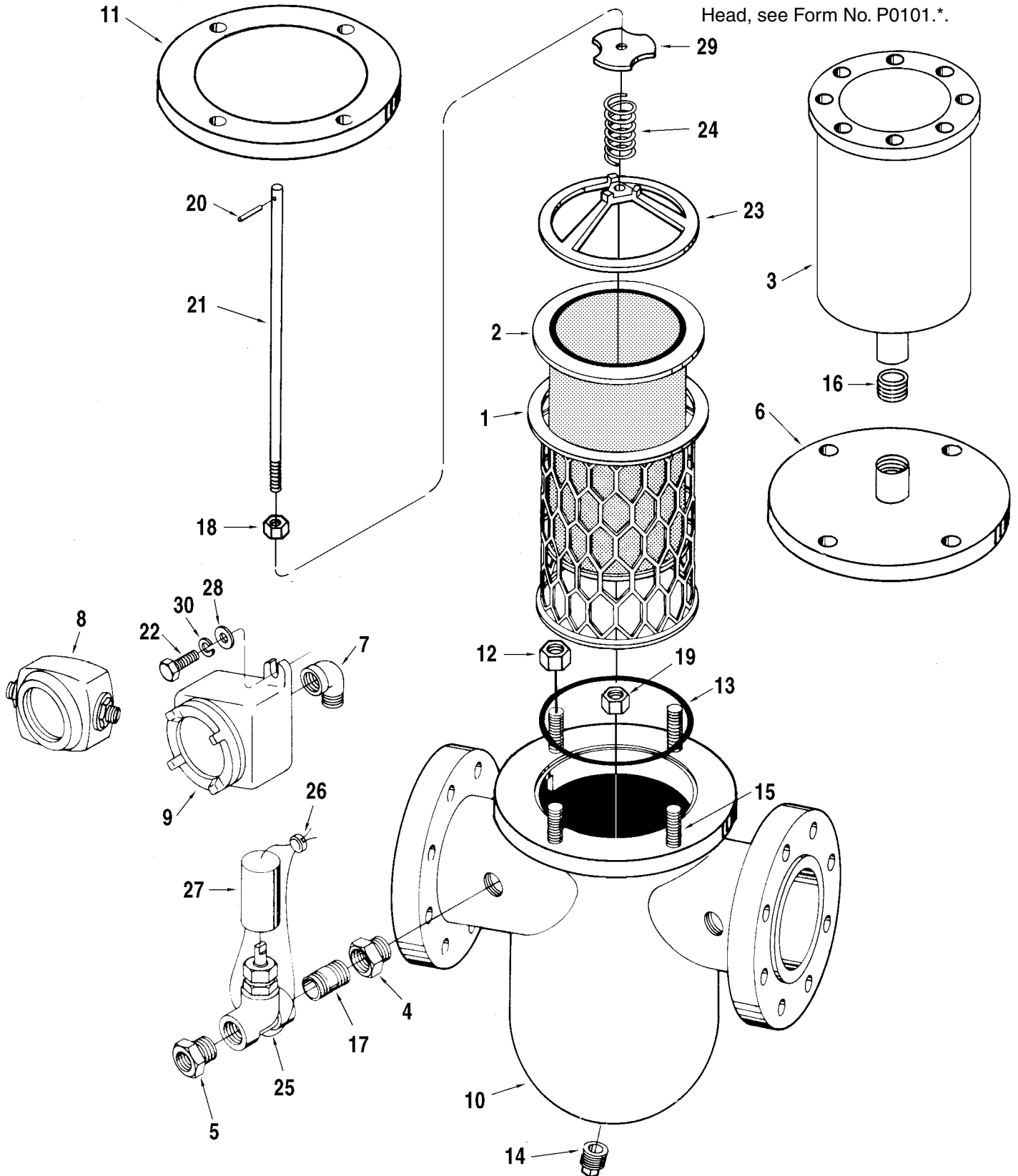
Strainer, 2-Inch, E Series

Parts List

Issue/Rev. 0.3 (4/96)

Bulletin P0801.03

Note: For Model RB Air Release Head, see Form No. P0101.*.



Item	Description	Qty.	Part Number
1	Basket, Outer Retainer.....	1	514860-001
2	@1+ Basket, Strainer.....	1	514864-
3	Body, Air Release Head	1	536415-001
4	Bushing	2	641543-403
5	Bushing	2	641542-402
6	@2 Cover, Modified for Air Release Head (E3 and E5 Only).....	1	536451-001
7	Elbow:		
	For Standalone Pressure Gauge	4	643386-402
	For Pressure Gauge With Reed Switch	2	643388-402
8	Gauge, Differential Pressure, Standalone.....	1	644292-401
9	Gauge, Differential Pressure, With Reed Switch	1	644281-402
10	Housing and Cover Assembly:		
	E3	1	515424-001
	E5	1	514878-001
	E6	1	533737-001
	E7	1	533676-001
11	@2 Cover:		
	E3 and E5 - Standard	1	514868-001
	E6 and E7 - Standard	1	533671-001
	E3 and E5 - Teflon	1	514868-099
12	Nut, Hex:		
	E3 (3/8"-16, UNC-2B, 21/64" Thick)	4	001040-400
	E5 (3/8"-16, SF, 23/64" Thick).....	4	001040-402
	E6 and E7 (1/2"-13, SF, 31/64" Thick)	10	006415-400
13	+ O-Ring:		
	Buna-N:		
	E3 and E5	1	641471-403
	E6 and E7	1	009898-400
	Viton:		
	E3 and E5	1	640833-406
	E6 and E7	1	640833-409
	EPR (E3 and E5 Only).....	1	641561-406
	Teflon (E3 and E5 Only).....	1	645842-406
14	Plug, Pipe, 3/4" NPT	1	006878-002
15	Stud:		
	E3 and E5.....	4	006663-002
	E6 and E7.....	10	643823-402
16	Nipple, Pipe, 1-1/2" NPT	1	002026-400
17	Nipple, Pipe, 3/8" NPT.....	2	641113-402
18	Nut, #10-24, UNC-2B	1	002040-400
19	R Nut, 1/4-20, Lock Stover.....	1	642210-404
20	Pin, Roll, 3/32 x 5/8"	1	065368-001
21	Rod.....	1	514871-001
22	Screw, 5/16-18 x 1-1/4"	2	642045-403
23	Spider.....	1	514873-001
24	Spring.....	1	514874-001
25	Valve Assembly, Needle, Model 13	2	527065-002
26	Seal, Lead, and Wire	1	001627-400
27	Shell.....	1	643706-401
28	Washer, Flat	2	642495-406
29	Washer, Loading.....	1	514872-001
30	Washer, 5/16" Lock.....	2	002917-400

+ Recommended stock.

R Indicates change since last revision.

@1 Strainer baskets available in 04, 10, 20, 40, 60, 80, or 100 mesh. Order basket using desired suffix to part number.

@2 In March of 1989, the overall length of the E3 and E5 strainer body was increased slightly. As a result, when replacing a cover on strainers manufactured before this date, it is necessary to bend outwards the prongs of the longer clip mounted on the underside of the cover so that the smaller clip seats properly on the loading washer (Item #29).

* The latest edition is indicated by a 2-digit postscript (e.g., .01, .02, etc.).

The specifications contained herein are subject to change without notice and any user of said specifications should verify from the manufacturer that the specifications are currently in effect. Otherwise, the manufacturer assumes no responsibility for the use of specifications which may have been changed and are no longer in effect.

Headquarters:

1803 Gears Road, Houston, TX 77067 USA, Phone: 281/260-2190, Fax: 281/260-2191

Gas Measurement Products:

Erie, PA USA Phone 814/898-5000

Thetford, England Phone (44) 1842-82-2900

Kongsberg, Norway Phone (47) 32/286-700

Buenos Aires, Argentina Phone 54 (11) 4312-4736

Integrated Measurement Systems:

Corpus Christi, TX USA Phone 361/289-3400

Kongsberg, Norway Phone (47) 32/286-700

San Juan, Puerto Rico Phone 787/274-3760

United Arab Emirates, Dubai Phone 971 +4/331-3646

Liquid Measurement Products:

Erie, PA USA Phone 814/898-5000

Los Angeles, CA USA Phone 661/702-8660

Slough, England Phone (44) 1753-57-1515

Ellerbek, Germany Phone (49) 4101-3040

Barcelona, Spain Phone (34) 93/201-0989

Moscow, Russia Phone (7) 495/564-8705

Melbourne, Australia Phone (61) 3/9807-2818

Beijing, China Phone (86) 10/6500-2251

Singapore Phone (65) 6861-3011

Chennai, India Phone (91) 44/450-4400

Visit our website at www.fmctechnologies.com