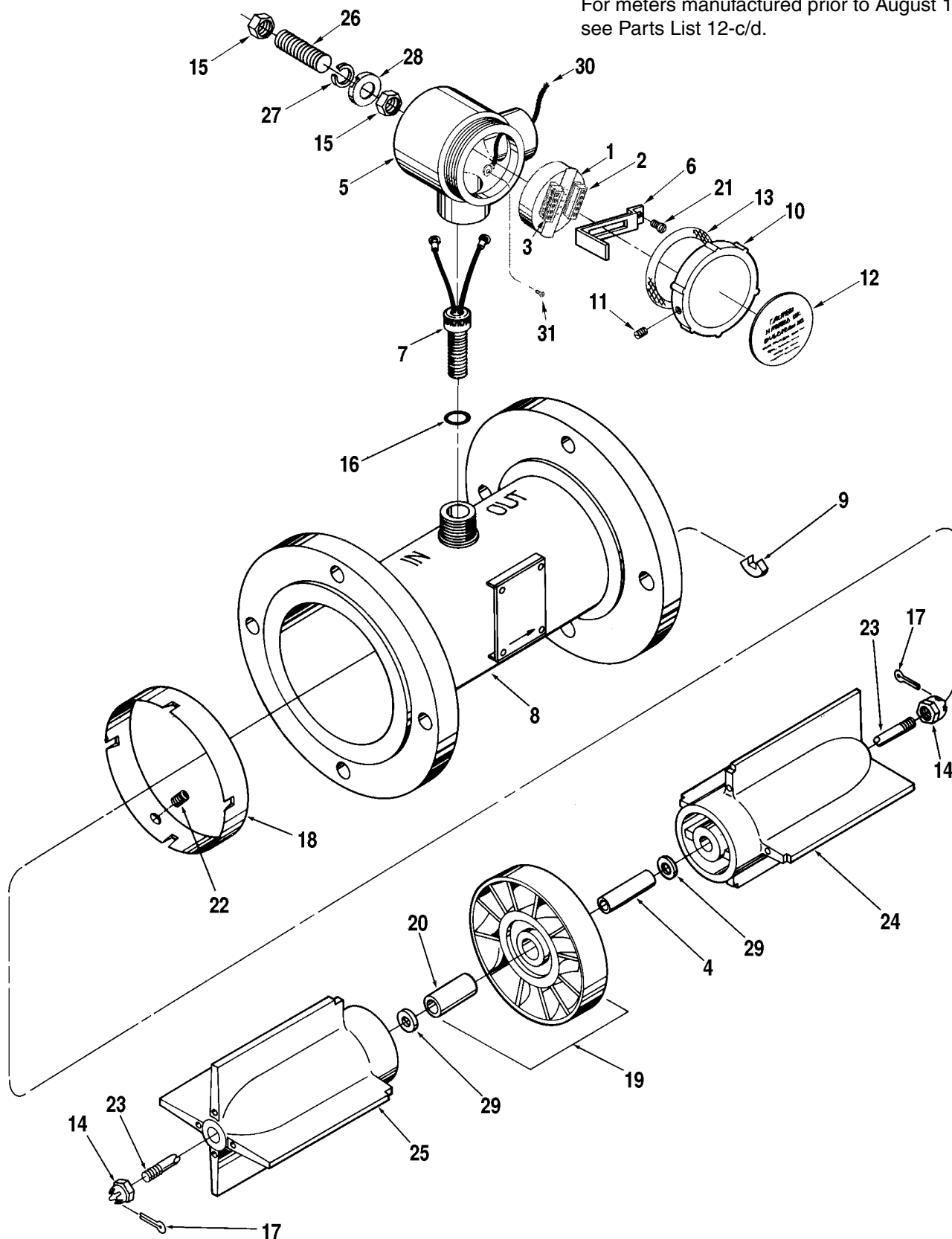


For meters manufactured prior to August 1976,  
see Parts List 12-c/d.



Item	Description	Qty.	Part Number
1	+ Preamplifier:		
	PA-6, 12 to 24 Vdc .....	#	230663-101
2	Connector, (1-5) .....	#	645030-452
3	Connector, (6-10) .....	#	645030-453
4	Bearing, Platform.....	1	542290-200
5	Box, Conduit.....	#	543256-200
6	Clip, Retaining .....	#	543192-203
7	+ Coil, Pickup		
	-100°F to +225°F .....	#	644327-401
	-100°F to +400°F (High Temperature Version).....	#	641512-401
	Mating Connector with Leads (High Temperature Version)	#	540244-101
8	Housing .....	1	See Note 1
9	Key, Stator:		
	For Stainless Steel Stators .....	1	542834-201
10	Cover, Conduit Box		
	UL/CSA .....	#	543196-100
	ATEX – Manufactured in U.S.A.....	#	544057-101
	ATEX – Manufactured in Germany .....	#	544057-102
11	Screw, Set, #6-32 x 1/4" .....	#	643243-403
12	Label		
	UL/CSA Approvals.....	#	543195-200
	ATEX – Manufactured in U.S.A.....	#	544056-201
	ATEX – Manufactured in Germany .....	#	544056-202
13	+ Gasket, Cover.....	#	013403-200
14	+ Nut, Castle, 7/8"-14 .....	2	643729-404
15	Nut, 1/4"-20 (ATEX version only) .....	#	060060-001
16	O-Ring (Carbon Steel Housing only).....	#	641069-474
17	+ Pin, Cotter, 1/8 x 1-1/2" .....	2	006738-001
18	@2 Ring, Deflector:		
	Unidirectional: Stainless Steel .....	1	542300-201
	Bidirectional: Stainless Steel.....	2	543054-218
19	+ Rotor Assembly .....	1	544463-192
20	Bearing, Rotor.....	1	542289-200
21	Screw, Machine, #10-32 x 1/4" .....	#	009544-401
22	Screw, Set, 1/4-20 x 1/4" .....	#	645690-402
23	Shaft, Rotor .....	1	542306-200
24	Stator, Downstream (Uni or Bidirectional):		
	Stainless Steel .....	1	542305-211
25	Stator, Upstream:		
	Unidirectional: Stainless Steel .....	1	542304-211
	Bidirectional: Stainless Steel.....	1	542305-211
26	Stud, (ATEX version only).....	#	550773-001
27	Washer, 1/4" Lock, (ATEX version only) .....	#	006621-001
28	Washer, Inverted Tag, (ATEX version only) .....	#	550770-001
29	Washer, Thrust .....	2	543851-218
30	Ground Wire, (UL/CSA version only).....	#	544058-101
31	Screw, #10-32 x 1/4" (UL/CSA version only).....	#	006110-002

Item	Description	Qty.	Part Number
------	-------------	------	-------------

**Internal Parts Kit**

@3	Unidirectional.....		544618-103
@3	Bidirectional.....		544618-104

- + Recommended stock.
- # Order quantity required.

Note 1: Consult Factor, (814) 898-5000, providing model no. and serial no., also specify:

- |                         |                            |
|-------------------------|----------------------------|
| 1. Uni or Bidirectional | 4. Flange Class (Pressure) |
| 2. Housing Material     | 5. Flange Type             |
| 3. Flange Material      | 6. Number of Pickup Coils  |

@2 Note 2: Deflector ring material must be same as housing tube material.

@3 Note 3: Serial number information. When ordering component parts, give complete serial number (e.g., alpha and numeric prefix and suffix). Serial number may be found on nameplate and stamped on housing tube by Number 1 Boss.

Revisions included in P0593.05 Issue/Rev. 0.5 (4/10):  
Total Revision of Parts List.

The specifications contained herein are subject to change without notice and any user of said specifications should verify from the manufacturer that the specifications are currently in effect. Otherwise, the manufacturer assumes no responsibility for the use of specifications which may have been changed and are no longer in effect.

Contact information is subject to change. For the most current contact information, visit our website at [www.fmctechnologies.com/measurementsolutions](http://www.fmctechnologies.com/measurementsolutions) and click on the "Contact Us" link in the left-hand column.

---

**Headquarters:**

500 North Sam Houston Parkway West, Suite 100, Houston, TX 77067 USA, Phone: +1 (281) 260 2190, Fax: +1 (281) 260 2191

**Gas Measurement Products:**

**Erie, PA USA** +1 (814) 898 5000  
**Ellerbek, Germany** +49 (4101) 3040  
**Thetford, England** +44 (1842) 822900  
**Kongsberg, Norway** +47 (32) 28 67 00  
**Buenos Aires, Argentina** +54 (11) 4312 4736

**Integrated Measurement Systems:**

**Corpus Christi, TX USA** +1 (361) 289 3400  
**Kongsberg, Norway** +47 (32) 28 67 00  
**San Juan, Puerto Rico** +1 (787) 772 8100  
**United Arab Emirates, Dubai** +971 (4) 883 0303

**Liquid Measurement Products:**

**Erie, PA USA** +1 (814) 898 5000  
**Los Angeles, CA USA** +1 (310) 328 1236  
**Ellerbek, Germany** +49 (4101) 3040  
**Slough, England** +44 (1753) 571515  
**Barcelona, Spain** +34 (93) 201 0989  
**Moscow, Russia** +7 (495) 5648705  
**Melbourne, Australia** +61 (3) 9807 2818

**Beijing, China** +86 (10) 6500 2251  
**Singapore** +65 6861 3011  
**Chennai, India** +91 (44) 450 4400

**Visit our website at [www.fmctechnologies.com/measurementsolutions](http://www.fmctechnologies.com/measurementsolutions)**