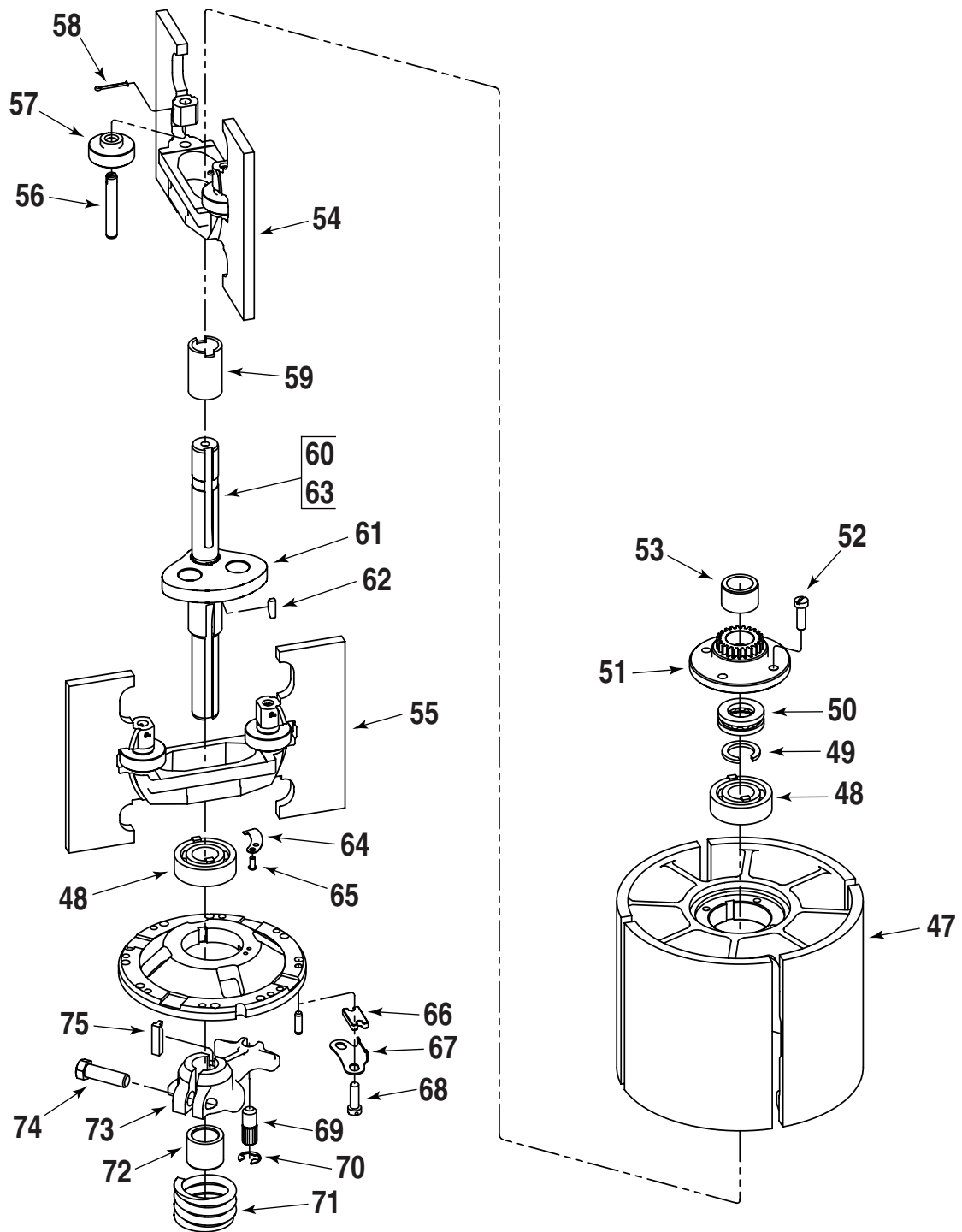


VSC-13 Inner Mechanism



Item	Description	Qty.	Part Number
1	Housing	1	538264-001
2	Cover	1	533482-001
3	Adapter-Manifold	2	538265-001
4	Plug-Pipe, Hex Head, .50 NPT	3	006505-002
5	O-Ring, Manifold Adapter		
	Low Swell Buna	2	641070-437
	Viton-A	2	55-040078
6	Screw, 5/16-18 x 3/4 Hex HD	1	002046-400
7	Screw, 5/16-18 x 1 1/2 Hex HD	1	002050-401
8	O-Ring, Cover		
	Low Swell Buna	1	641070-436
	Viton-A	1	641276-421
9	Block	1	003824-001
10	Screw, 3/8-16 x 1 1/8 Hex HD	16	060248-005
11	Screw, M-10-24 UNC-2A x 3/4 Slotted Drill	2	006481-003
12	Adapter, Calibrator Cover Blank	1	512372-002
13	Plate-Caution	1	006571-001
14	Screw, Drive, No. 2, Type U x 1/8	8	009880-400
15	Screw, 5/16-18 x 7/8 Slotted Drilled Fillister Head Machine..	2	009563-401
16	Adapter, Calibrator	1	512477-001
17	Nameplate, Universal	1	554608-001
18	Plate, Cover	1	003440-001
19	Screw, 10-32 x 3/8 Fillister Head Slotted	2	006045-002
20	Gear and Jackshaft Assembly	1	072176-001
21	Bushing, Jackshaft Cover	1	011680-001
22	Washer, Thrust	1	002366-001
23	Gasket, Packing Gland	1	010173-001
24	Gland, PG-15 Packing		
	Teflon	1	009535-001
	Viton	1	518630-002
25	Screw, 10-32 x 1/2 LG, Flat HD Slot	2	006764-002
26	Flange, Packing Gland	1	010171-001
27	Gear, Jackshaft	1	071922-001
28	Washer, Jackshaft	1	001125-001
29	Pin, Cotter, 1/16 diameter x 3/8 Long, S.S.	3	009825-400
30	Pin, Groove, 1/8 diameter x 3/8 LG	2	006683-002
31	Stud, Intermediate	1	071924-001
32	Gear, Intermediate	1	071925-001
33	Washer, Flat 7/16 OD .200 ID .036 Thick	1	009614-400
34	Screw, Adjusting	1	013668-001
35	Gasket, Adjusting Screw	1	060341-001
36	Cap, Adjusting Screw	1	013667-001
37	Gasket, Adjusting Screw Cap	1	013669-001
38	Screw, 1/4-28 x .75 LG, Flat HD Hex Socket	1	645916-401
39	Gear, Calibrator or Upt Drive	1	071926-001
40	Pin-Groove Type E .08 diameter x .50 long	1	006053-002
41	Gear, Reversing	1	071923-001
42	Collar, Adjusting	1	011327-001
43	Stud, Pinion	1	004036-001
44	Washer, Pinion	1	003599-001
45	Screw, .500-13 x 1.50 LG Hex Sock Head	8	642072-409
46	Rotor Assembly, Standard	1	515704-001
47	Rotor, Sub-Assembly	1	005999-002
48	Bearing, Rotor	2	516107-001
49	Spacer, Rotor Bearing	1	512849-001
50	Bearing, Thrust	1	009712-001
51	Plate, Rotor Gear	1	512467-001
52	Screw, 10-32 x 5/8 LG Fillister Head Slot	4	008338-400
53	Bushing, Shaft, Cover	1	550560-003
54	Blade, Upper	1	009523-001
55	Blade Lower	1	009524-001
56	Pin, Blade Roller	4	010666-001
57	Roller, Blade	4	011478-001
58	Pin, Cotter, 1/16 diameter x 5/8 long S.S.	4	641042-401

Item	Description	Qty.	Part Number
59	Sleeve, Rotor.....	1	512848-001
60	Shaft and Cam Assembly.....	1	512468-001
61	Cam.....	1	003738-001
62	Key, Cam.....	1	003753-001
63	Shaft.....	1	512344-001
64	Spring, Rotor Bearing Lock.....	1	003745-001
65	Screw, 4-40 x 1/4 LG Round Head Slotted.....	2	006012-002
66	Block, Blade.....	4	010289-002
67	Clamp, Blade Block.....	4	010212-001
68	Screw, 10-32 x 5/8 Slotted Drilled Fillister Head Machine.....	8	065082-003
69	Dowel, Locating Arm.....	1	512872-001
70	Ring, Retaining.....	1	065303-001
71	Spring, Rotor.....	1	003746-002
72	Bushing, Shaft, Body.....	1	550560-004
73	Arm, Locating.....	1	512368-001
74	Screw, 5/16-18 x 1 LG Hex Socket Head.....	1	641230-403
75	Key, Locating Arm.....	1	512873-001

+ Recommended stock.

R Indicates change since last revision.

@ 1 When ordering 516350 calibrator, please advise meter model and gearing, temperature range, and API gravity and table.

The specifications contained herein are subject to change without notice and any user of said specifications should verify from the manufacturer that the specifications are currently in effect. Otherwise, the manufacturer assumes no responsibility for the use of specifications which may have been changed and are no longer in effect.

Headquarters:

500 North Sam Houston Parkway West, Suite 100 Houston, TX 77067 USA, Phone: +1 (281) 260-2190, Fax: +1 (281) 260-2191

Gas Measurement Products:

Houston, TX USA +1 (281) 260-2190
 Thetford, England +44 (1842) 82-2900
 Kongsberg, Norway +47 (32) 286-700
 Buenos Aires, Argentina +54 (11) 4312-4736

Liquid Measurement Products:

Erie, PA USA +1 (814) 898-5000
 Los Angeles, CA USA +1 (310) 328-1236
 Slough, England +44 (1753) 57-1515
 Ellerbek, Germany +49 (4101) 304-0
 Barcelona, Spain +34 (93) 201-0989
 Moscow, Russia +7 (495) 564-8705
 Melbourne, Australia +61(3) 9807-2818

Beijing, China +86 (10) 6500-2251
 Singapore +65 6861-3011
 Chennai, India +91 (44) 450-4400

Integrated Measurement Systems:

Corpus Christi, TX USA +1 (361) 289-3400
 Kongsberg, Norway +47 (32) 286-700
 San Juan, Puerto Rico +1809 (787) 274-3760
 United Arab Emirates, Dubai +971 (4) 331-3646

Visit our website at www.fmctechnologies.com/measurementsolutions