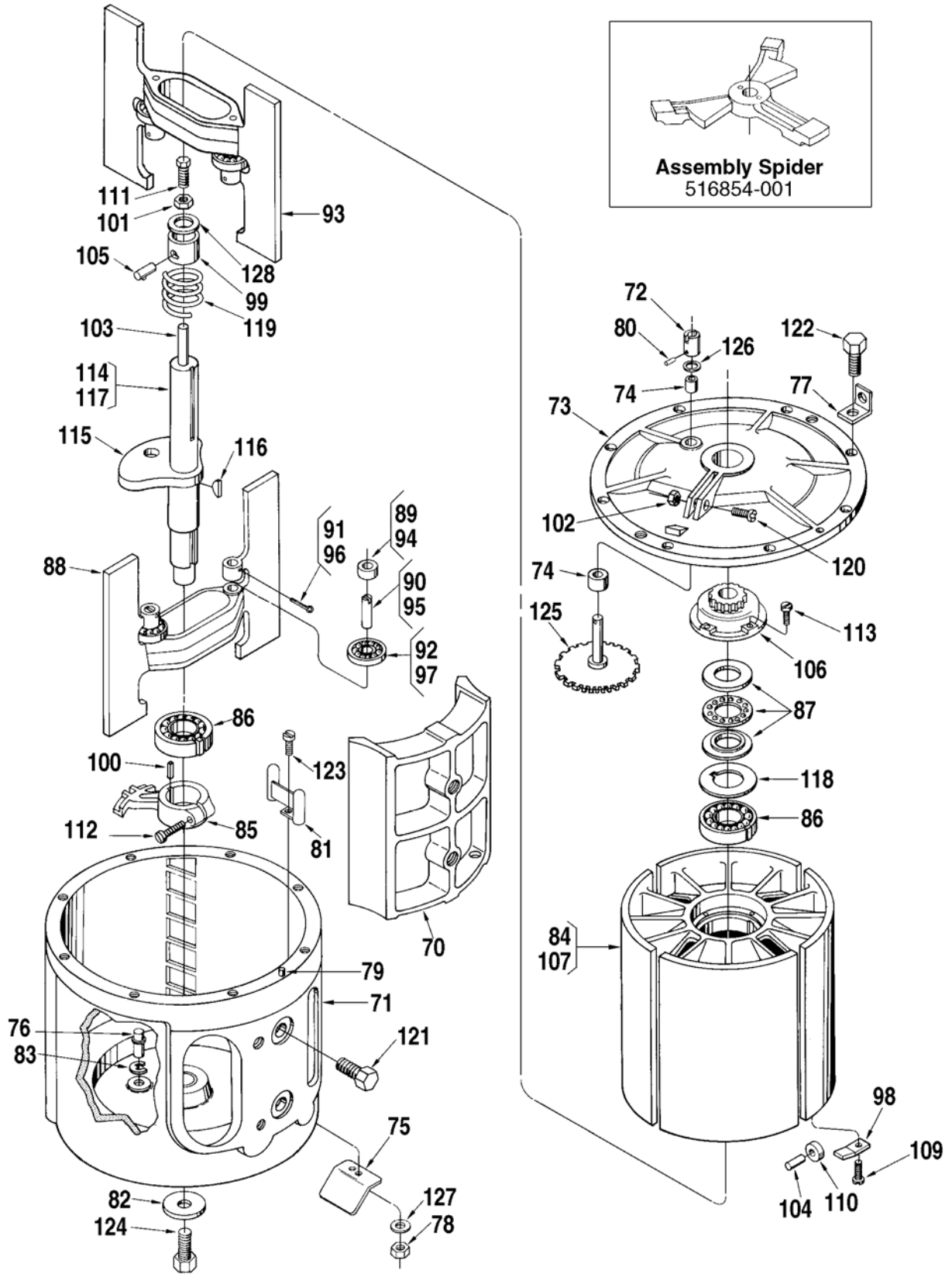


Inner Mechanism



Item	Description	Qty.	Part Number
1	Adapter, Calibrator Adjusting Stem	1	512372-001
2	Adapter, Meter	1	515755-001
3	Blank, Snap-In	1	015533-401
4	Bolt, Eye.....	2	655425-402
5	Calibrator:		
	Standard	1	512059-001
+@1	Temperature Corrected	1	512060-001
@2	Temperature Corrected, Special Temp or API	1	516130-xxx
	Dummy Calibrator	1	516105-001
6	Coupling Assembly	1	005969-001
7	Coupling, Drive	1	518321-009
8	+ Coupling, Drive	1	072103-001
9	Coupling, Jack Shaft	1	514633-001
10	Cover, Housing	1	554597-001
11	Cover, Knob	1	003553-001
12	Cup, Oil	1	006588-001
13	@3 Gear, Calibrator Drive:		
	U.S. Barrels	1	514379-001
	U.S. Barrels, LPG	1	515110-001
	Imperial Gallons	1	514778-001
	Imperial Gallons, LPG	1	515115-001
	Dekalitres	1	514779-001
	Dekalitres, LPG	1	515117-001
14	@3 Bushing:		
	Standard.....	1	013372-001
	LPG.....	1	504653-001
15	Pin	2	003325-001
16	Gear, Intermediate Pinion:		
	U.S. Barrels	1	514373-001
	U.S. Barrels, LPG	1	515109-001
	Imperial Gallons	1	514775-001
	Imperial Gallons, LPG	1	515114-001
	Dekalitres	1	514776-001
	Dekalitres, LPG	1	515116-001
17	Bushing, LPG Gears only	1	504653-001
18	Gear, Jackshaft Pinion:		
	U.S. Barrels	1	514374-001
	U.S. Barrels, LPG	1	515107-001
	Imperial Gallons	1	514777-001
	Imperial Gallons, LPG	1	515111-001
	Dekalitres	1	514777-001
	Dekalitres, LPG	1	515111-001
19	* Bushing, LPG Gears only	1	504653-001
20	Gear, Reversing Pinion:		
	U.S. Barrels	1	514376-001
	U.S. Barrels, LPG	1	515108-001
21	Bushing, LPG Gears only	1	504653-001
22	+@4 Gland, Packing.....	1	554653-001
23	Housing.....	1	554598-001
24	Housing, Gear.....	1	514622-001
25	Nut, Cover Stud, 1.75 - 8	44	642148-411
26	+ O-Ring, .762 x .484".....	4	645905-411
27	+ O-Ring, 1" x 3/4"	4	009353-400
28	+ O-Ring, Cover, 17.047 x 2.75.....	1	515882-003
29	+ O-Ring,Packing Gland, 1-5/8 x 1-3/8"	1	640888-001
30	Pin, Cotter, 1/16 x 3/8"	2	009825-400
31	Pin, Groove, .08 x .50"	1	006053-002

Item	Description	Qty.	Part Number
32	Pin, Groove, .375 x 1"	2	641719-407
33	Pin, Groove, .63 x 1.08"	1	009593-400
34	Pin, Groove, 1/16 x 5/8"	1	006028-002
35	Pin, Groove, 1/16 x 1/2"	1	006054-002
36	Plate, Caution, Calibrator	1	006571-001
37	Plate, Cover	1	003440-001
38	Plate, Gland Lubrication.....	1	515873-001
39	Plug, Pipe, 3/8" NPT	1	003131-402
40	Ring, Snap	1	512066-001
41	Screw, .5-13 x 3.50"	4	642054-420
42	Screw, Adjusting Stem, 10-24 x 3/4"	2	006481-003
43	Screw, Calibrator, 6-32 x 5/16"	2	006048-002
44	Screw, Caution Plate, 1/8".....	12	009880-400
45	Screw, Cover Plate, 10-32 x 3/8"	2	006045-002
46	Screw, Gear Housing, 5/16-18 x 5/8"	2	009813-400
47	Screw, Knob Cover, 10-32 x 7/8"	2	640835-001
48	Screw, Meter Adapter, 5/16-18 x 1-1/2"	2	642019-416
49	Screw, Packing Gland, 7/16-14 x 1-1/2"	4	006410-002
50	Screw, Set, 1/4"	1	009469-400
51	Shaft, Calibrator Drive Gear.....	1	515341-001
52	Shaft, Jack (Upper)	1	514634-002
53	Shaft Assembly Link.....	1	515866-004
54	Pin, Groove, 1/8 x 1"	2	065217-402
55	Shaft.....	1	512068-009
56	Shaft, Stud, Idler Gear	2	514370-001
57	Stem Assembly, Adjusting.....	1	009838-001
58	* Ball	2	006427-001
59	* Plate, Base	1	003552-001
60	* Plate, Retainer.....	1	003556-001
61	* Spring, Knob.....	2	003557-001
62	Stem, Adjusting	1	003551-001
63	Stud, Cover, 1.75-8 x 12.50"	22	641177-404
64	Tube, Oil.....	1	514658-001
65	Washer, .125" OD	2	002917-400
66	Washer, 1-1/8 x 17/32"	4	646636-401
67	Washer, Eye Bolt.....	2	646638-405
68	Washer, Flat, .5 x .193"	3	641985-401
69	Washer, Seal.....	4	554661-001

Inner Mechanism

Item	Description	Qty.	Part Number
70	@5 Block	1	516999-001
71	Body.....	1	512219-001
72	Coupling, Drive	1	512064-002
73	Cover Assembly, Inner: Standard and All Iron.....	1	516457-001
	LPG	1	512212-001
74	+ Bushing, Jackshaft: Standard and All Iron	2	519882-001
	LPG	2	512796-001
75	Cover, Pitot.....	1	512719-001
76	Dowel, Locating Arm.....	1	512115-001
77	Lug, Lift	2	512002-001
78	Nut, Pitot Assembly, #10-32 Hex.....	2	001723-400
79	Pin, Groove, 3/16 x 3/4"	1	007900-400
80	Pin, Groove, 5/64 x 5/8"	1	009593-400
81	Pitot.....	1	072186-001

Item	Description	Qty.	Part Number
82	Plate.....	1	512714-001
83	Ring, Retaining	1	064150-001
84	+ Rotor and Blade Assembly:		
	Standard.....	1	517232-001
	All Iron	1	517232-002
	LPG	1	517232-003
85	Arm, Locating.....	1	511965-001
86	+ Bearing, Rotor:		
	Standard and All Iron	2	516110-001
	LPG	2	516110-002
87	+ Bearing, Thrust:		
	Standard and All Iron	1	006524-001
	LPG	1	505590-001
88	Blade Assembly, Lower:		
	Standard.....	1	008820-001
	All Iron	1	009763-064
	LPG	1	505564-001
89	Bushing, Blade.....	2	003457-001
90	Pin, Blade Roller.....	2	003458-001
91	Pin, Cotter, 3/32 x 1"	2	006308-001
92	+ Bearing, Blade:		
	Standard and All Iron.....	2	644888-401
	LPG.....	2	644412-411
93	Blade Assembly, Upper:		
	Standard.....	1	008819-001
	All Iron	1	009763-064
	LPG	1	505566-001
94	Bushing, Blade.....	2	003457-001
95	Pin, Blade Roller.....	2	003458-001
96	Pin, Cotter, 3/32 x 1"	2	006308-001
97	+ Bearing, Blade:		
	Standard and All Iron	2	644888-401
	LPG	2	644412-411
98	Clamp, Rotor Cover Roller.....	8	012502-001
99	Collar, Thrust Bearing	1	512268-001
100	Key.....	1	512715-001
101	Nut, Adjusting Screw.....	1	003527-001
102	Nut, 5/16"-18.....	1	009552-400
103	Pin, Adjusting Screw Extension	1	512270-001
104	Pin, Rotor Cover Roller.....	4	001939-001
105	Pin, Thrust Bearing Collar.....	1	008121-001
106	Plate, Rotor Gear.....	1	512318-001
107	Rotor Assembly:		
	Standard.....	1	008081-002
	LPG	1	008081-042
108	+* Dowel.....	9	001938-001
109	Screw, 5/16-18 x 1"	8	060133-002
110	+ Roller, Rotor Cover:		
	Standard and All Iron	4	012501-001
	LPG	4	514752-001
111	Screw, Adjusting	1	003526-002
112	Screw, Locating Arm, 5/16-18 x 1-1/2"	1	640994-401
113	Screw, Rotor Gear Plate, 1/4-20 x 3/4"	6	005061-400
114	Shaft and Cam Assembly	1	517001-001
115	+ Cam.....	1	517000-001
116	Key	1	006158-002
117	Shaft.....	1	511966-001
118	Spacer, Bearing.....	1	512271-001

Item	Description	Qty.	Part Number
119	+ Spring, Rotor.....	1	003567-002
120	Screw, 5/16-18 x 2"	1	006664-002
121	Screw, Cap (Block) 1/2-13 x 1-1/4"	2	006117-002
122	Screw, Inner Cover, 5/16-18 x 1"	8	006140-002
123	Screw, Pitot, #10-32 x 1-1/2"	2	009606-400
124	Screw, Shaft, 3/8-16 x 1-1/4"	1	641044-401
125	Shaft, Jack and Gear Assembly	1	512309-001
126	Washer, .750 O.D. x .265 I.D.	1	643249-401
127	Washer, #10 Shakeproof.....	2	642482-406
128	Washer, Special	1	065309-002

Inner Mechanism General Assembly Numbers

Standard.....	517002-091
All Iron	517002-092
LPG	517002-093

+ Recommended spares.

* Not illustrated.

R Indicates change since last revision.

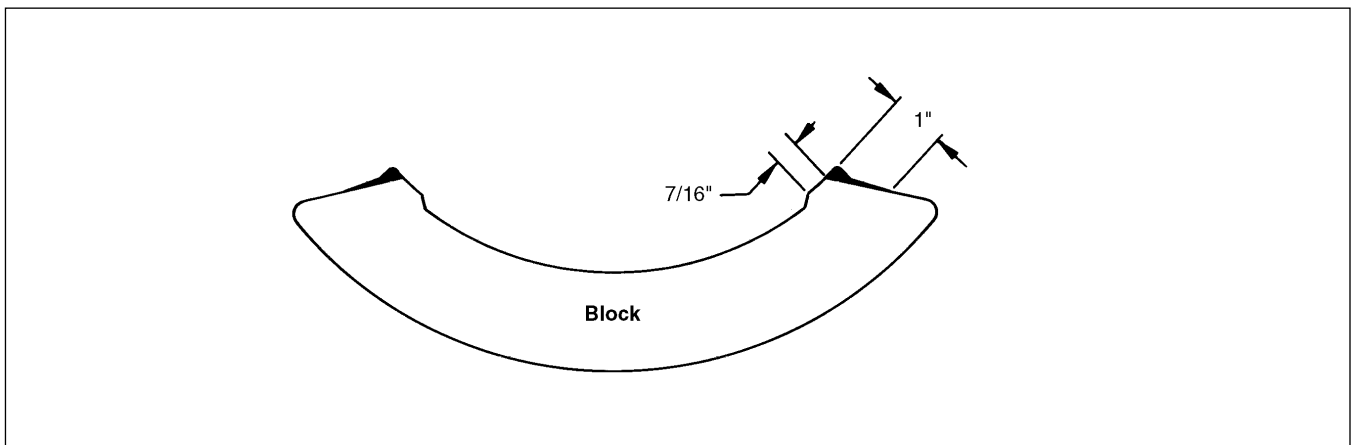
@1 Note 1: See Form No. P0203.** for component parts to the dummy calibrator or Form No. P0206.** for component parts to standard and temperature-compensated calibrators.

@2 Note 2: When ordering, include product temperature range, specific or API gravity, API table used, and meter and gearing calibrator is to be used in conjunction with.

@3 Note 3: Only standard gearing is listed. For additional gearing combinations, see Gear Train Bulletin AB01023.

@4 Note 4: See Form No. P0605.** for component parts.

@5 Note 5: In 1973, a change in design was made to the block and cam of the six-inch meter. To ensure proper operation, a current style block must be used with a current style cam. Either current or previous style block can be used with previous style cam. The shaded area of the block outline below represents the dimensioning of the previous style.



Revisions included in P0548.51 Issue/Rev. 0.1 (8/11):
Removed Limited status for distribution.
Total Revision.

The specifications contained herein are subject to change without notice and any user of said specifications should verify from the manufacturer that the specifications are currently in effect. Otherwise, the manufacturer assumes no responsibility for the use of specifications which may have been changed and are no longer in effect.

Contact information is subject to change. For the most current contact information, visit our website at www.fmctechnologies.com/measurementsolutions and click on the "Contact Us" link in the left-hand column.

Headquarters:

500 North Sam Houston Parkway West, Suite 100, Houston, TX 77067 USA, Phone: +1 (281) 260 2190, Fax: +1 (281) 260 2191

Measurement Products and Equipment:

Erie, PA USA +1 (814) 898 5000

Ellerbek, Germany +49 (4101) 3040

Barcelona, Spain +34 (93) 201 0989

Beijing, China +86 (10) 6500 2251

Buenos Aires, Argentina +54 (11) 4312 4736

Burnham, England +44 (1628) 603205

Dubai, United Arab Emirates +971 (4) 883 0303

Los Angeles, CA USA +1 (310) 328 1236

Melbourne, Australia +61 (3) 9807 2818

Moscow, Russia +7 (495) 5648705

Singapore, +65 6861 3011

Integrated Measurement Systems:

Corpus Christi, TX USA +1 (361) 289 3400

Kongsberg, Norway +47 (32) 286700

Dubai, United Arab Emirates +971 (4) 883 0303

Visit our website at www.fmctechnologies.com/measurementsolutions