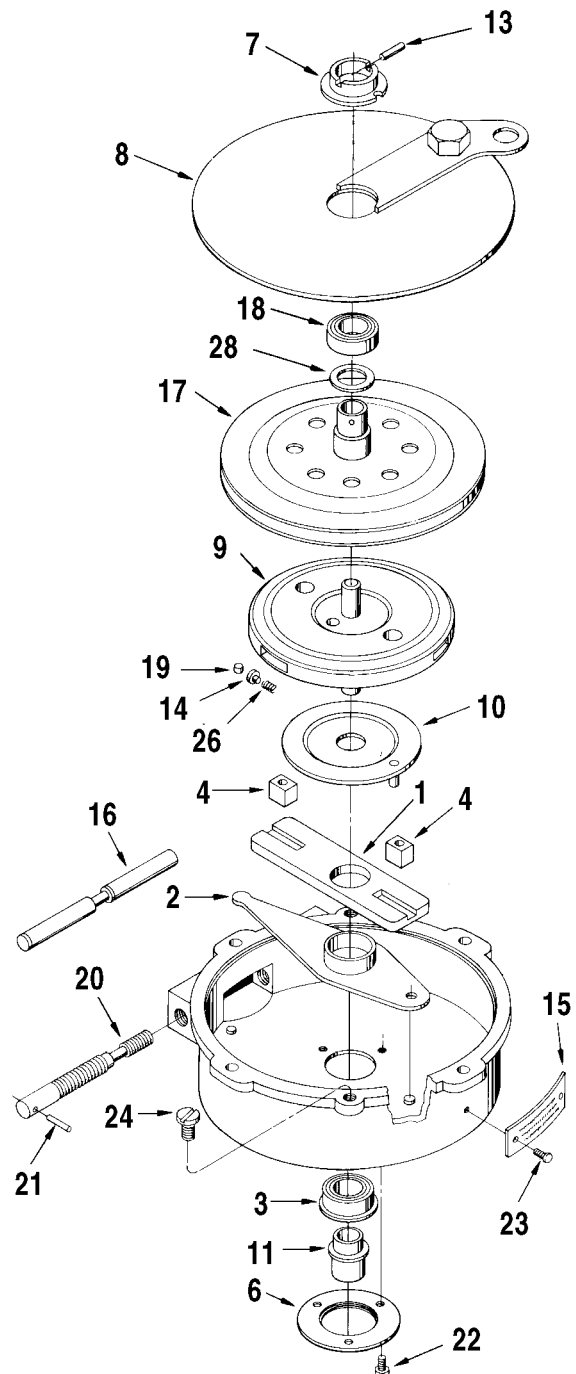


**AM-1, AT-1 and AT-2**



**AM-3 and AT-3**

Item	Description	Qty.	AM-1, AT-1 AT-2	AM-3, AT-3
1	Arm, Crank.....	1	070595-005	070595-005
2	Arm, Eccentric:			
	Manual and Standard Temperature Corrected .....	1	003472-001	003472-001
@1	Temperature Corrected, Special API Gravity or Temperature Range .....	1	003472-002	003472-002
3	Bearing, Lower.....	1	.....	640171-001
4	Block, Sliding .....	2	003474-001	003474-001
5	Case:			
	Manual .....	1	005858-001	501784-001
	Standard Temperature Corrected:			
	Single- and Double-Case Meters .....	1	005858-001	501784-001
	T-Meters .....	1	070058-001	.....
@1	Temperature Corrected, Special API Gravity or Temperature Range:			
	Single- and Double-Case Meters .....	1	008456-001	502559-001
	T-Meters .....	1	070058-001	.....
6	Clamp, Bearing .....	1	.....	502682-001
7	Coupling, Drive .....	1	.....	072103-001
8	Cover, Case .....	1	005875-001	501795-001
9	Disc, Cam .....	1	005849-001	501803-001
10	Disc, Center .....	1	005934-001	005934-001
11	Hub, Lower Bearing .....	1	.....	501796-001
12	Pin, Special Temperature Corrected Models .....	1	003487-001	.....
13	Pin, Drive Coupling .....	1	.....	006028-002
14	+ Pin, Spring .....	6	003492-001	003492-001
15	Plate, Name:			
	Manual and Special Temperature Corrected .....	1	013367-001	013367-001
	Standard Temperature Corrected.....	1	013367-002	013367-002
16	+ Plunger, Temperature Corrected Models .....	1	003583-001	003583-001
17	Ring, Outer .....	1	504643-001	504679-001
18	R Bearing, Upper .....	1	.....	065419-002
19	+ Roller .....	6	004526-001	004526-001
20	Screw, Adjusting, Manual Models .....	1	005856-001	005856-001
21	Pin, Roll, 3/32 x 1/2" .....	1	065435-001	065435-001
22	Screw, Bearing Clamp #3-48 x 3/16" .....	3	.....	065016-001
23	Screw, Drive, Nameplate .....	2	645063-001	645063-401
24	Screw, #8-32 x 3/16" .....	2	006449-002	006449-002
25	Screw, #6-32 x 1/4", T-Meters .....	2	006145-002	.....
26	+ Spring, Clutch .....	6	003500-001	003500-001
27	Spring, Compensator, T-Meters .....	1	550998-001	.....
28	Washer.....	#	010466-001	010466-001
29	Washer, Compensator Spring, T-Meters .....	1	550999-001	.....

**General Assemblies**

Manual Calibrator .....	005855-001	501755-001
Temperature Corrected, Standard:		
44° API Temperature Range 0° to 139°F, Table 6		
39.9° API Temperature Range 0° to 139°F, Table 6A		
42.5° API Temperature Range 0° to 139°F, Table 6B		
500 Alpha, Temperature Range 0° to 139°F, Table 6C		
Single- and Double-Case Meters .....	005816-001	501756-001
T-Meters and I-Meters.....	009629-001	.....
Temperature Corrected, Special API Gravity or Temperature Range:		
Single- and Double-Case Meters .....	009214-	502560-
T-Meters and I-Meters.....	009825-	.....

+ Recommended stock.

# Order quantity required.

@1 When ordering, provide API gravity, API table, and temperature range, along with meter model number and gearing.



The specifications contained herein are subject to change without notice and any user of said specifications should verify from the manufacturer that the specifications are currently in effect. Otherwise, the manufacturer assumes no responsibility for the use of specifications which may have been changed and are no longer in effect.

---

**Headquarters:**

1803 Gears Road, Houston, TX 77067 USA, Phone: 281/260-2190, Fax: 281/260-2191

**Gas Measurement Products:**

**Erie, PA USA** Phone 814/898-5000

**Thetford, England** Phone (44) 1842-82-2900

**Kongsberg, Norway** Phone (47) 32/286-700

**Buenos Aires, Argentina** Phone 54 (11) 4312-4736

**Integrated Measurement Systems:**

**Corpus Christi, TX USA** Phone 361/289-3400

**Kongsberg, Norway** Phone (47) 32/286-700

**San Juan, Puerto Rico** Phone 787/274-3760

**United Arab Emirates, Dubai** Phone 971 +4/331-3646

**Liquid Measurement Products:**

**Erie, PA USA** Phone 814/898-5000

**Los Angeles, CA USA** Phone 661/702-8660

**Slough, England** Phone (44) 1753-57-1515

**Ellerbek, Germany** Phone (49) 4101-3040

**Barcelona, Spain** Phone (34) 93/201-0989

**Moscow, Russia** Phone (7) 495/564-8705

**Melbourne, Australia** Phone (61) 3/9807-2818

**Beijing, China** Phone (86) 10/6500-2251

**Singapore** Phone (65) 6861-3011

**Chennai, India** Phone (91) 44/450-4400

**Visit our website at [www.fmctechnologies.com](http://www.fmctechnologies.com)**