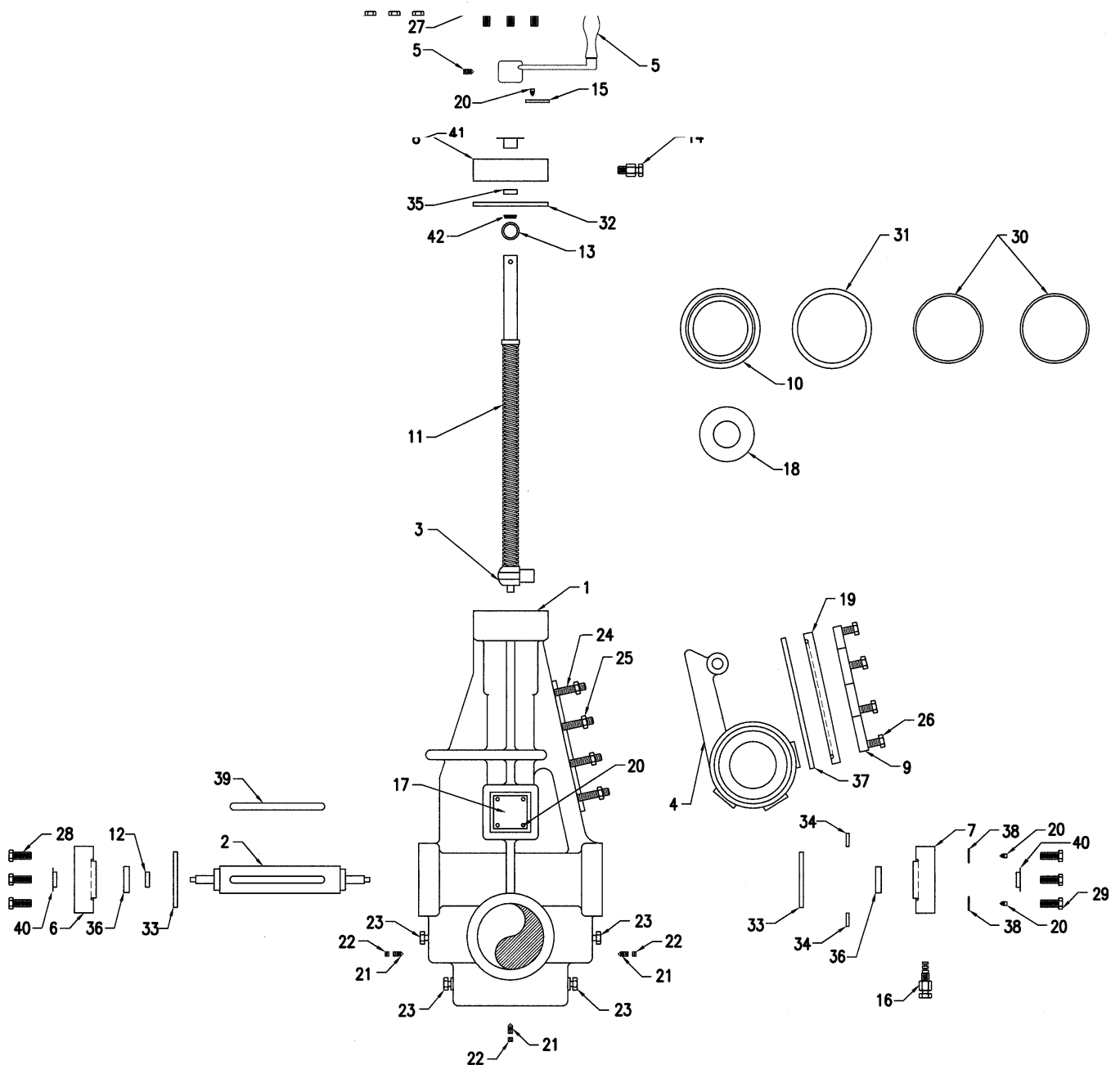


MeasureMaster Dual Chamber Orifice Fitting 2" - 6" Typical Fitting – Dry Seal Plug Valve



Item	Description	Qty.
1	Fitting Body	1
2	Plug Valve Dry Seal.....	1
3	Elevator Nut.....	1
4	Orifice Plate Carrier.....	1
5	Crank Handle and Set Screw	1
6	Back Cap.....	1
7	Front Cap.....	1
8	Top Cap	1
9	Cover Plate Clamp (Not Used on C-Plate Models)	1
10	Seal Ring.....	1
11	Elevator Screw	1
12	Spacer Plug Valve	**
13	Spacer Ring Elevator Screw.....	**
14	Bleed Valve Assembly	1
15	Indicator Tag.....	1
16	Equalizer Valve	1
17	Name Plate.....	1
18	Cat. 500 Orifice Plate	1
19	Cover Plate.....	1
20	Driver Screws	**
21	Alignment Screws.....	3
22	Dry Seal Plugs.....	3
23	Pipe Plugs	6
24	Cover Plate Studs.....	**
25	Cover Plate Nuts	**
26	Cover Clamp Set Screws (Not Used on C-Plate Models)	**
27	Top Cap, Cap Screws.....	6
28	Back Cap, Cap Screws.....	6
29	Front Cap, Cap Screws	6
*30	Seal Ring O-rings.....	2
*31	Seal Ring Retainer Spring.....	1
*32	Top Cap O-ring	1
*33	Front/Back Cap O-ring.....	2
*34	Front Cap SML O-ring	2
*35	Top Poly-Pak Seal	1
*36	Front/Back Poly-Pak Seal	2
*37	Cover Plate Gasket, O-ring	1
38	Identification Tags.....	2
*39	Plug Valve O-ring.....	1
40	Bearing FR/BK Cap.....	2
41	Bearing Top Cap.....	1

* Recommended Spares

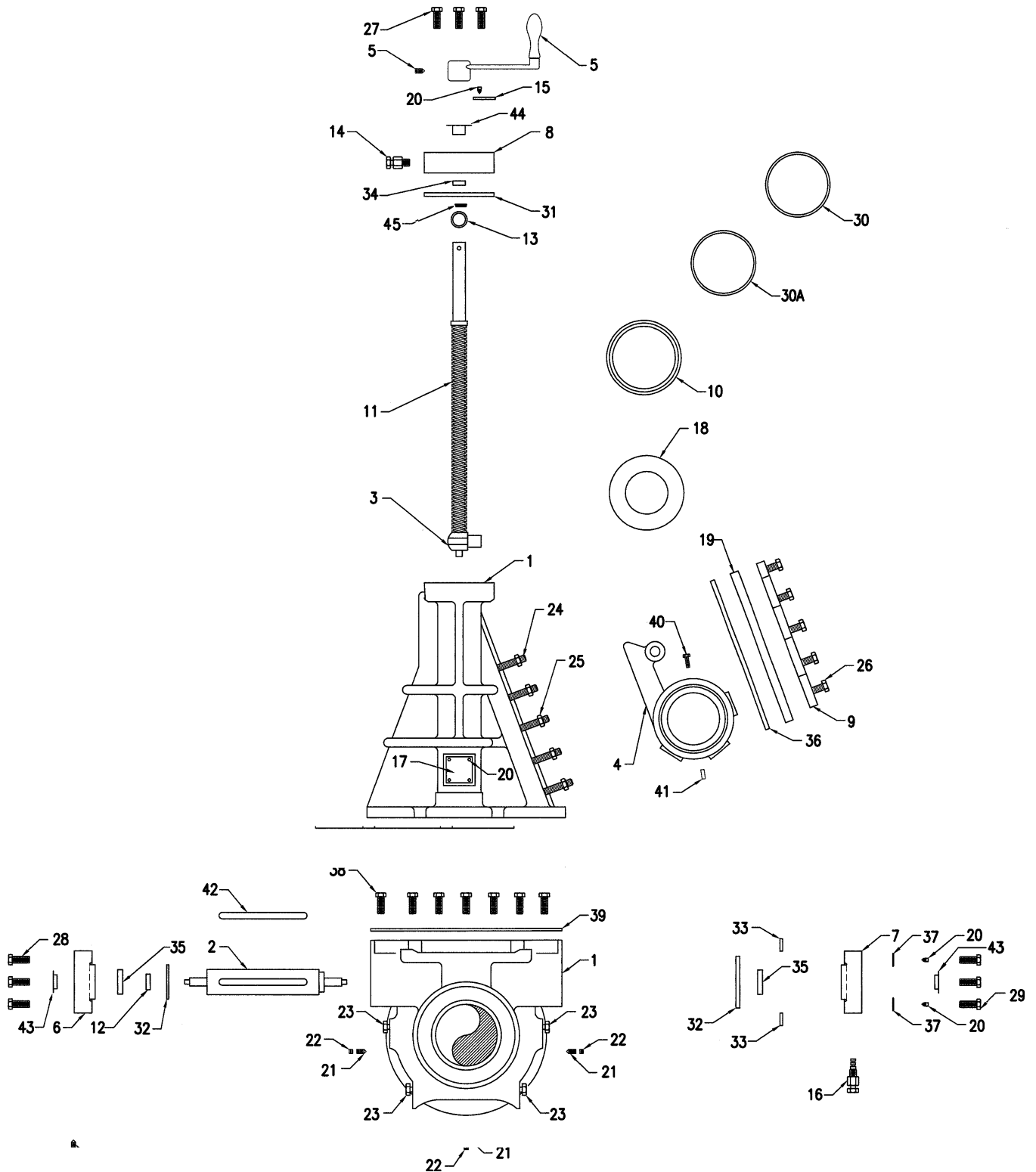
** Varying Quantities

Ordering Information

When ordering parts for the MeasureMaster, please specify:

1. Size, ANSI rating of the fitting, and serial number.
2. Catalog description.
3. Material of parts.
4. If carrier or seal ring is to be ordered, specify type of seal and pipe I.D.
5. Quantity needed.

MeasureMaster Dual Chamber Orifice Fitting 8" and Larger Typical Fitting – Dry Seal Plug Valve



Item	Description	Qty.
1	Fitting Body	1
2	Plug Valve Dry Seal.....	1
3	Elevator Nut.....	1
4	Orifice Plate Carrier.....	1
5	Crank Handle and Set Screw	1
6	Back Cap.....	1
7	Front Cap.....	1
8	Top Cap	1
9	Cover Plate Clamp (Not Used on C-Plate Models)	1
10	Seal Ring.....	1
11	Elevator Screw	1
12	Spacer Plug Valve	**
13	Spacer Ring Elevator Screw.....	**
14	Bleed Valve Assembly	1
15	Indicator Tag.....	1
16	Equalizer Valve	1
17	Name Plate.....	1
18	Cat. 500 Orifice Plate	1
19	Cover Plate.....	1
20	Driver Screws	**
21	Alignment Screws.....	3
22	Dry Seal Plugs.....	3
23	Pipe Plugs	6
24	Cover Plate Studs.....	**
25	Cover Plate Nuts	**
26	Cover Clamp Set Screws (Not Used on C-Plate Models)	**
27	Top Cap, Cap Screws.....	6
*28	Back Cap, Cap Screws.....	6
*29	Front Cap, Cap Screws	6
*30	Seal Ring O-rings.....	2
*30A	Seal Ring O-rings, SML.....	1
*31	Top Cap O-ring	1
*32	Front/Back Cap O-ring.....	2
*33	Front Cap SML O-ring	2
*34	Top Poly-Pak Seal	1
35	Front/Back Poly-Pak Seal	2
36	Cover Plate Gasket, O-ring	1
37	Identification Tags.....	2
38	Top to Body Cap Screws	**
39	Top to Body Gasket O-ring	1
40	Carrier Retainer Screw.....	1
41	Carrier Retainer Pin.....	1
*42	Plug Valve O-ring.....	1
43	Bearing FR/BK Cap.....	2
44	Bearing Top Cap.....	1

* Recommended Spares

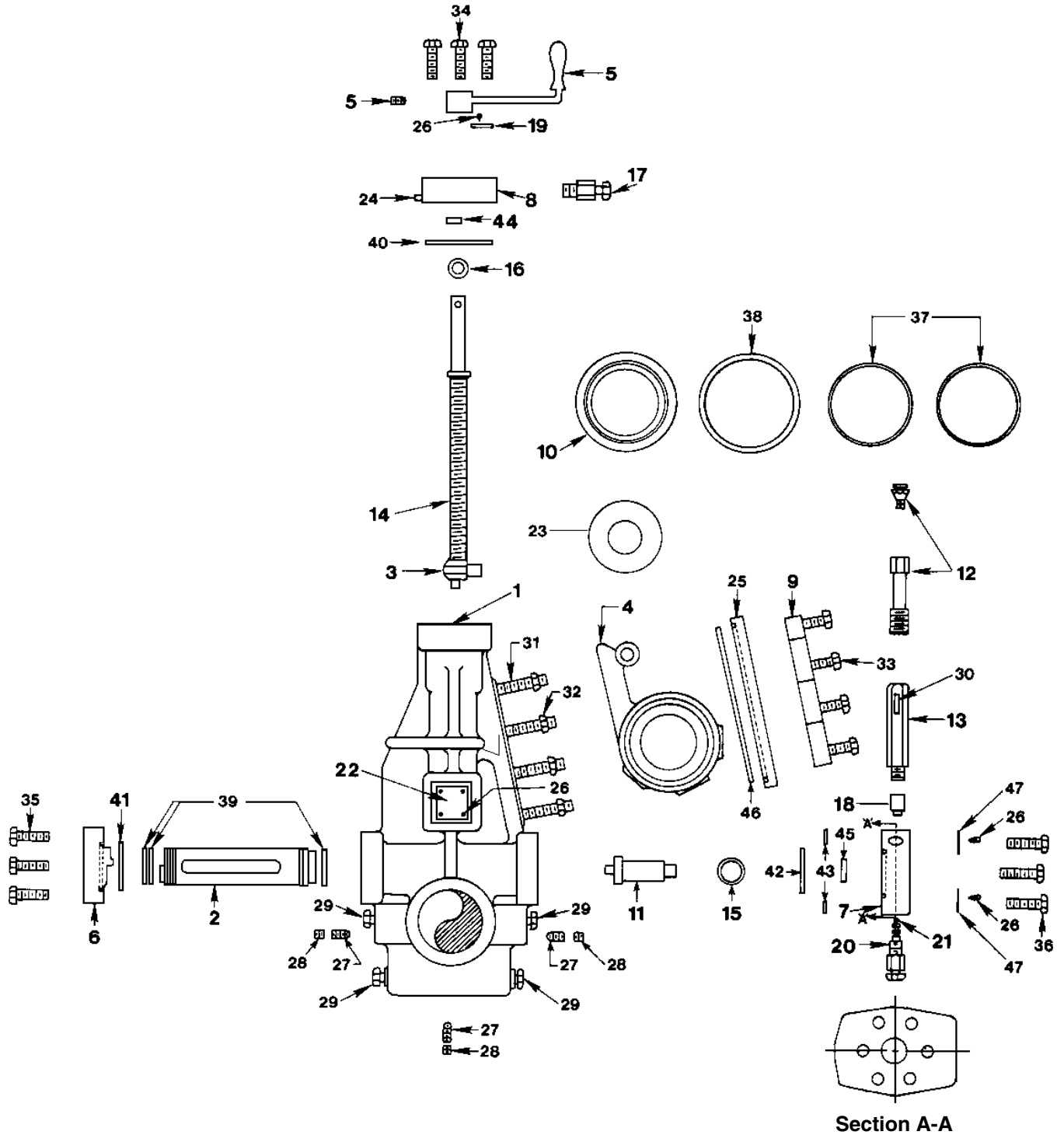
** Varying Quantities

Ordering Information

When ordering parts for the MeasureMaster, please specify:

1. Size, ANSI rating of the fitting, and serial number.
2. Catalog description.
3. Material of parts.
4. If carrier or seal ring is to be ordered, specify type of seal and pipe I.D.
5. Quantity needed.

MeasureMaster Dual Chamber Orifice Fitting 2" - 6" Typical Fitting



Item	Description	Qty.
1	Fitting Body	1
2	Plug Valve.....	1
3	Elevator Nut.....	1
4	Orifice Plate Carrier.....	1
5	Crank Handle and Set Screw	1
6	Back Cap.....	1
7	Front Cap.....	1
8	Top Cap	1
9	Cover Plate Clamp	1
10	Seal Ring.....	1
11	Plug Valve Stem	1
12	Sealant Screw	1
13	Sealant Screw Ext. Body	1
14	Elevator Screw	1
15	Spacer Ring Plug Valve Stem.....	**
16	Spacer Ring Elevator Screw.....	**
17	Bleed Valve Assembly	1
18	Sealant Check	1
19	Indicator Tag.....	1
20	Equalizer Valve	1
21	Equalizer Ball	1
22	Name Plate.....	1
23	Cat. 500 Orifice Plate	1
24	Grease Fitting.....	1
25	Cover Plate.....	1
26	Driver Screws	**
27	Alignment Screws.....	3
28	Dry Seal Plugs.....	3
29	Pipe Plugs	6
30	Sealant Tag.....	1
31	Cover Plate Studs.....	**
32	Cover Plate Nuts	**
33	Cover Clamp Set Screws	**
34	Top Cap, Cap Screws.....	6
35	Back Cap, Cap Screws.....	6
36	Front Cap, Cap Screws	6
*37	Seal Ring O-rings	2
*38	Seal Ring Retainer Spring.....	1
39	Plug Valve O-ring.....	4
40	Top Cap O-ring	1
41	Back Cap O-ring.....	1
42	Front Cap O-ring.....	1
43	Front Cap SML O-ring	2
*44	Top Poly-Pak Seal	1
*45	Front Poly-Pak Seal.....	1
*46	Cover Plate Gasket, Flat or O-ring	1
47	Identification Tags.....	2

* Recommended Spares (To include a box of Plug Valve Sealant)

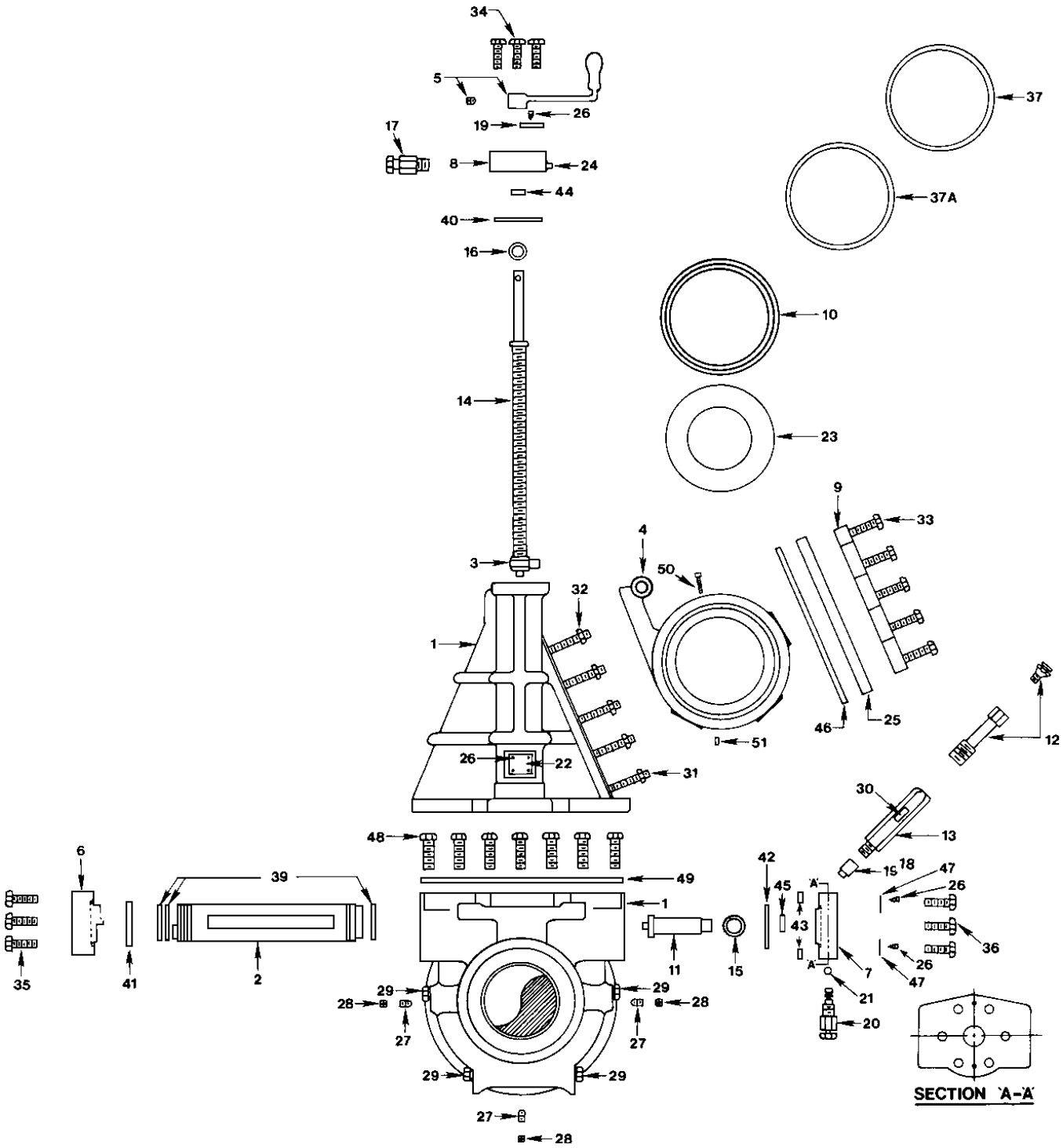
** Varying Quantities

Ordering Information

When ordering parts for the MeasureMaster, please specify:

1. Size, ANSI rating of the fitting, and serial number.
2. Catalog description.
3. Material of parts.
4. If carrier or seal ring is to be ordered, specify type of seal and pipe I.D.
5. Quantity needed.

MeasureMaster Dual Chamber Orifice Fitting 8" and Larger Typical Fitting



Item	Description	Qty.
1	Fitting Body	1
2	Plug Valve.....	1
3	Elevator Nut.....	1
4	Orifice Plate Carrier.....	1
5	Crank Handle and Set Screw	1
6	Back Cap.....	1
7	Front Cap.....	1
8	Top Cap	1
9	Cover Plate Clamp	1
10	Seal Ring.....	1
11	Plug Valve Stem	1
12	Sealant Screw	1
13	Sealant Screw Ext. Body	1
14	Elevator Screw	1
15	Spacer Ring Plug Valve Stem.....	**
16	Spacer Ring Elevator Screw.....	**
17	Bleed Valve Assembly	1
18	Sealant Check	1
19	Indicator Tag.....	1
20	Equalizer Valve	1
21	Equalizer Ball	1
22	Name Plate.....	1
23	Cat. 500 Orifice Plate	1
24	Grease Fitting.....	1
25	Cover Plate.....	1
26	Driver Screws	**
27	Alignment Screws.....	3
28	Dry Seal Plugs.....	3
29	Pipe Plugs	6
30	Sealant Tag.....	1
31	Cover Plate Studs.....	**
32	Cover Plate Nuts	**
33	Cover Clamp Set Screws	**
34	Top Cap, Cap Screws.....	6
35	Back Cap, Cap Screws.....	6
36	Front Cap, Cap Screws	6
*37	Seal Ring O-rings	2
*37A	Seal Ring O-ring, SML	1
39	Plug Valve O-ring.....	4
40	Top Cap "O" Ring	1
41	Back Cap O-ring.....	1
42	Front Cap O-ring.....	1
43	Front Cap SML O-ring	2
*44	Top Poly-Pak Seal	1
*45	Front Poly-Pak Seal.....	1
*46	Cover Plate Gasket, Flat or O-ring	1
47	Identification Tags.....	2
48	Top to Body Cap Screws	**
49	Top to Body Gasket	1
50	Carrier Retainer Screw.....	1
51	Carrier Retainer Pin.....	1

* Recommended Spares (To include a box of Plug Valve Sealant)

** Varying Quantities

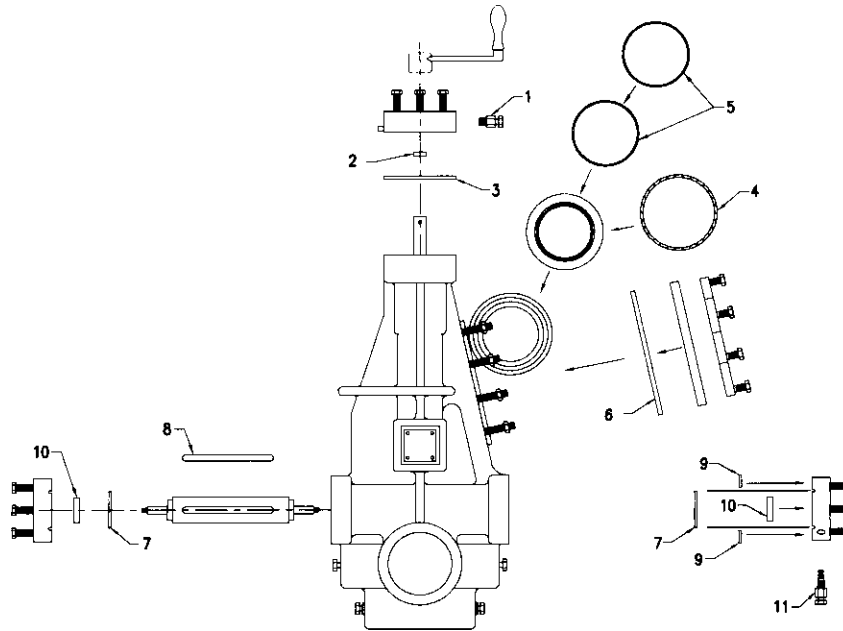
Ordering Information

When ordering parts for the MeasureMaster, please specify:

1. Size, ANSI rating of the fitting, and serial number.
2. Catalog description.
3. Material of parts.
4. If carrier or seal ring is to be ordered, specify type of seal and pipe I.D.
5. Quantity needed.

MeasureMaster Repair Kit for 2" - 6" Typical Fitting – Dry Seal Plug Valve

The MeasureMaste Repair Kit allows you to restore your MeasureMaster or type "E" dual chamber orifice fitting to top performances and accuracy by quickly and easily replacing worn valves and seals.



Item	Description	Qty.
1	Vent Valve	1
2	Top Poly-Pak Seal	1
3	Top Cap O-ring	1
4	Retainer Spring	1
5	Plate Seal "O-Rings.....	1
6	Cover Plate Gasket or "O" Ring	1
7	Front/Back Cap "O" Ring	2
8	Plug Valve O-ring.....	1
9	Front Cap SML O-ring	2
10	Front/Back Cap Poly-Pak Seal	2
11	Equalizer Valve	1

Ordering Information

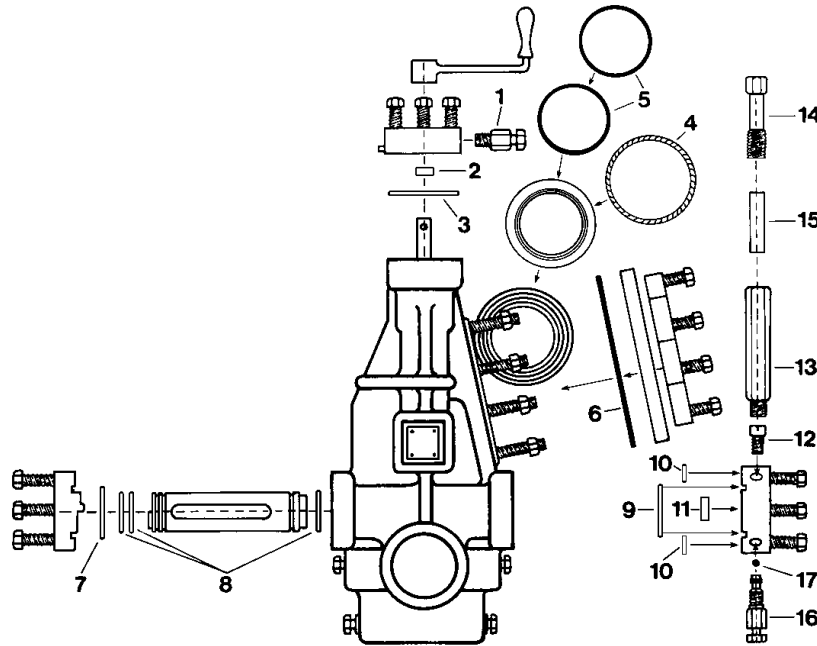
The following information is needed when placing an order for a MeasureMaster Repair Kit:

1. Line size, ANSI rating of the fitting, and serial number.
2. Serial number..

Note: O-Rings should be stored in a drawer or shelf away from sunlight to avoid deterioration caused by Ozone.

MeasureMaster Repair Kit for 2" - 6" Typical Fitting

The MeasureMaste Repair Kit allows you to restore your MeasureMaster or type "E" dual chamber orifice fitting to top preformances and accuracy by quickly and easily replacing worn valves and seals.



Item	Description	Qty.
1	Vent Valve.....	1
2	Top Poly-Pak Seal	1
3	Top Cap O-ring	1
4	Retainer Spring	1
5	Plate Seal "O-Rings.....	2
6	Cover Plate Gasket or "O" Ring	1
7	Back Cap "O" Ring	1
8	Plug Valve O-rings.....	3
9	Front Cap O-ring.....	1
10	Front Cap SML O-rings	2
11	Front Cap Poly-Pak Seal	1
12	Sealant Check Valve.....	1
13	Sealant Screw Body.....	1
14	Sealant Screw	1
15	Plug Valve Sealant.....	1
16	Equalizer Valve.....	1
17	Equalizer Ball	1

Ordering Information

The following information is needed when placing an order for a MeasureMaster Repair Kit:

1. Line size, ANSI rating of the fitting, and serial number.
2. Serial number..

Note: O-Rings should be stored in a drawer or shelf away from sunlight to avoid deterioration caused by Ozone.

The specifications contained herein are subject to change without notice and any user of said specifications should verify from the manufacturer that the specifications are currently in effect. Otherwise, the manufacturer assumes no responsibility for the use of specifications which may have been changed and are no longer in effect.

Headquarters:

1803 Gears Road, Houston, TX 77067 USA, Phone: 281/260-2190, Fax: 281/260-2191

Gas Measurement Products:

Erie, PA USA Phone 814/898-5000

Thetford, England Phone (44) 1842-82-2900

Kongsberg, Norway Phone (47) 32/286-700

Buenos Aires, Argentina Phone 54 (11) 4312-4736

Integrated Measurement Systems:

Corpus Christi, TX USA Phone 361/289-3400

Kongsberg, Norway Phone (47) 32/286-700

San Juan, Puerto Rico Phone 787/274-3760

United Arab Emirates, Dubai Phone 971 +4/331-3646

Liquid Measurement Products:

Erie, PA USA Phone 814/898-5000

Los Angeles, CA USA Phone 661/702-8660

Slough, England Phone (44) 1753-57-1515

Ellerbek, Germany Phone (49) 4101-3040

Barcelona, Spain Phone (34) 93/201-0989

Moscow, Russia Phone (7) 495/564-8705

Melbourne, Australia Phone (61) 3/9807-2818

Beijing, China Phone (86) 10/6500-2251

Singapore Phone (65) 6861-3011

Chennai, India Phone (91) 44/450-4400

Visit our website at www.fmctechnologies.com