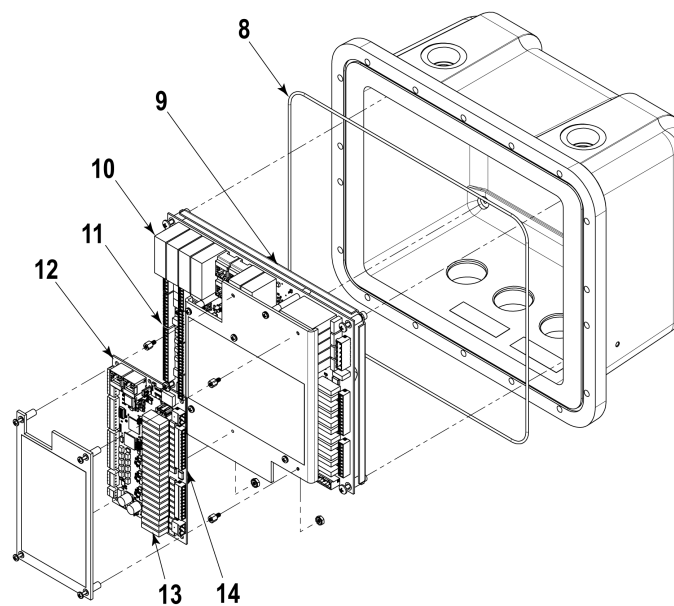
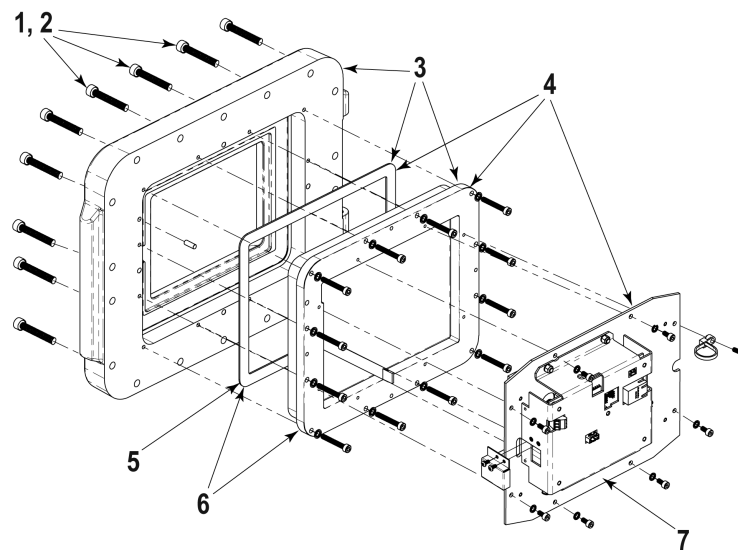


AccuLoad IV Models ST, QT, N4, SA, and DET

Bulletin PO06200 Issue/Rev. 0.5 (2/24)

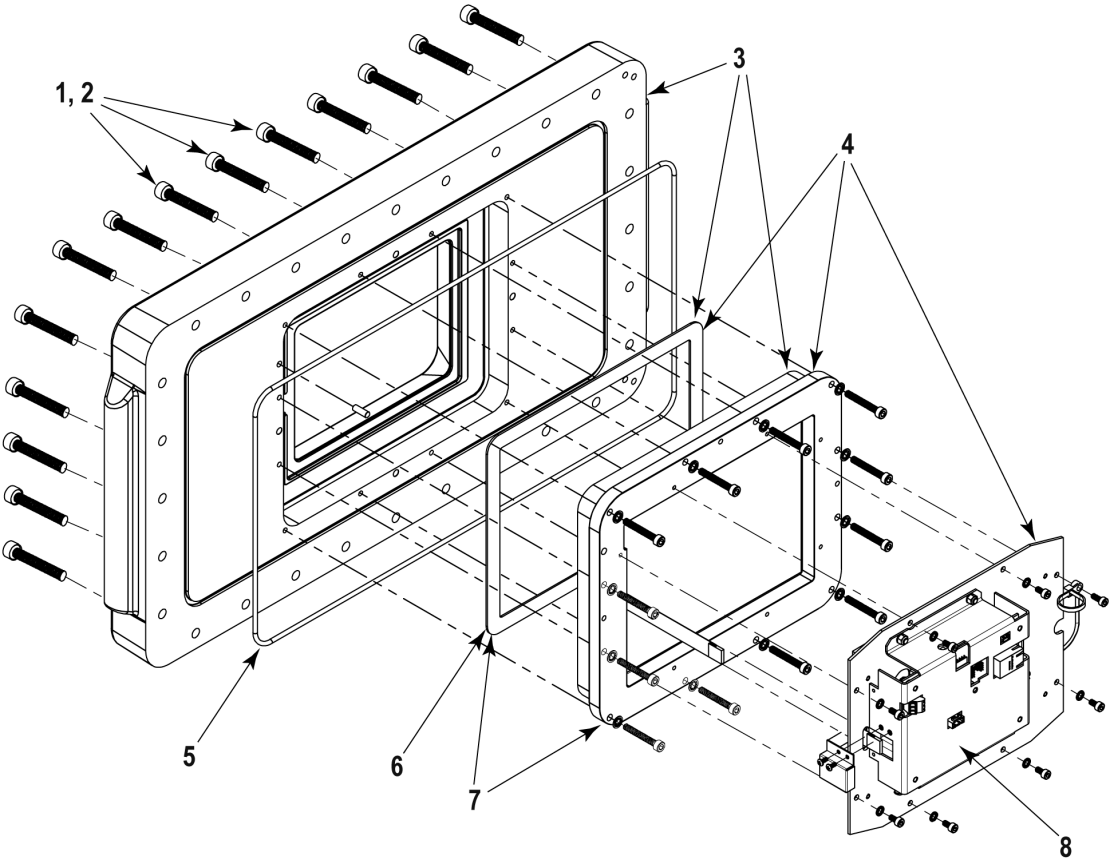
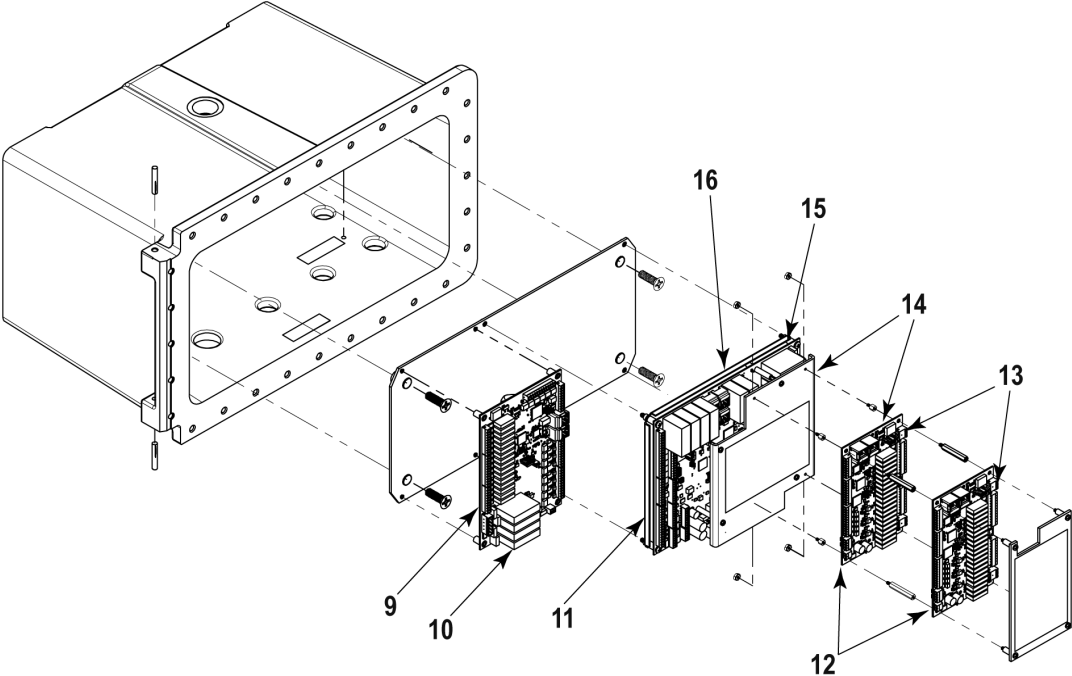
Model ST



Model ST				
Item	Notes	Description	Quantity	Part Number
1		Cover bolts (non-sealing) (pack of six)	16	P8000016691
2		Cover bolts (sealing) (pack of two)	2	P8000016692
3		Cover ALIV ST	1	P8000016680 (includes Item 6)
4		Replacement display kit (THMI and touchscreen assembly)		
	3	with ALIV firmware	1	P8000018712
		with DET firmware	1	P569227
5		Touchscreen gasket	1	P8000007952
6	1, 4	Touchscreen with gasket	1	P8000016693
7	1	Display module (THMI)		
	3	with ALIV firmware	1	P569573
		with DET firmware	1	P569226
8		Cover seal O-ring	1	646133401
9	1, 2	A4M replacement board		
		A4M with ALIV firmware	1	P8000011029
		A4M with DET firmware	1	P569172
10	5	Analog modules	Optional	
11		A4M connector kit	1	P8000011545
12	1	A4I replacement board	Optional	P8000010107
13	1	AC output relay (A4M, A4I)	11 or 31	644695420
14		A4I connector kit	Optional	P8000011547

Notes	
Note	Description
1	Suggested spare
2	Remove and retain the license key (dongle) and other components; see the AccuLoad IV Installation and Maintenance Manual (MN06201) for details
3	THMI Mk II version (red anodized case) requires revision 1.5 or higher firmware
4	Low level recalibration of touchscreen recommended after replacing sensor
5	See "AccuLoad IV Common Components" on page 9

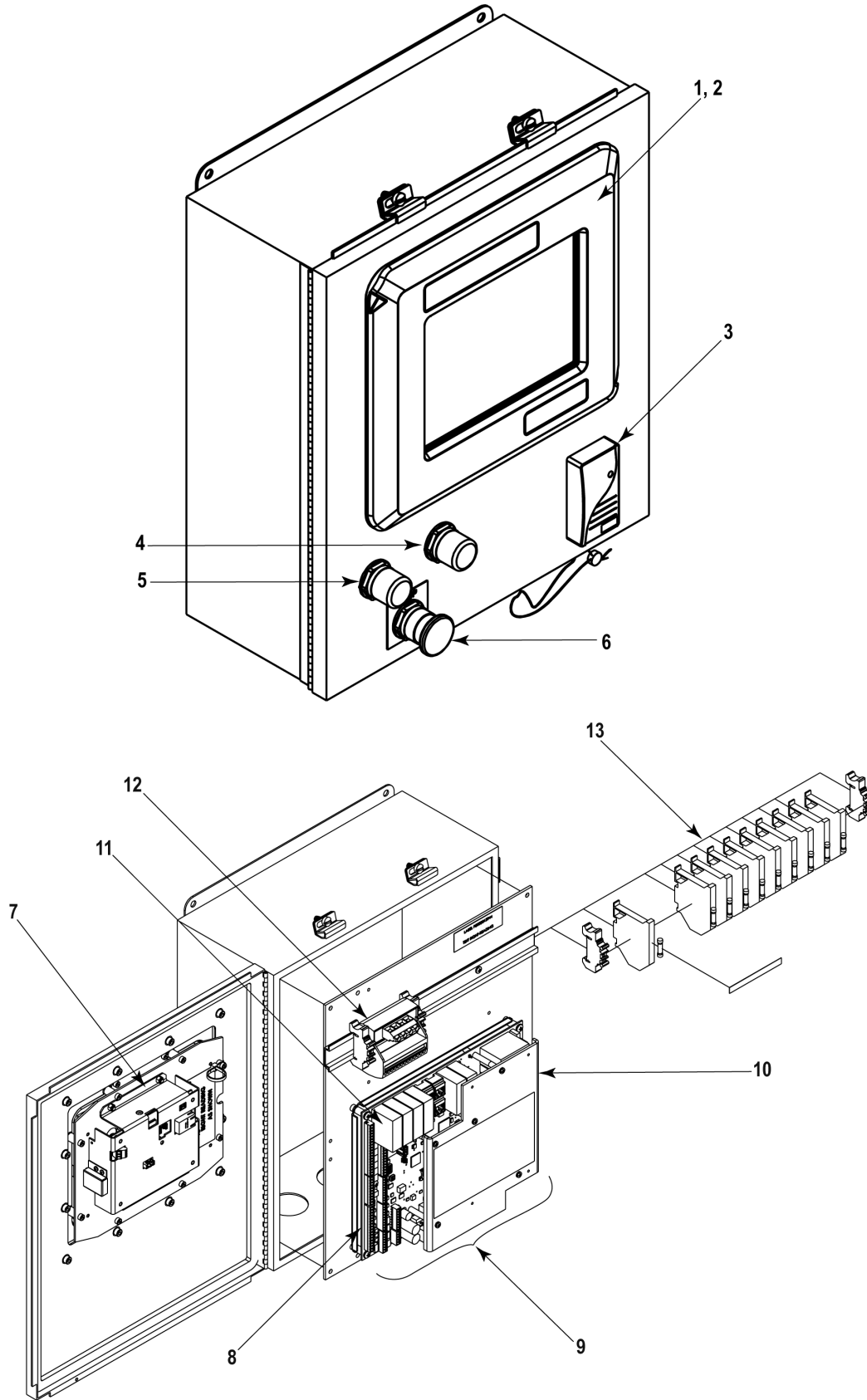
Model QT



Model QT				
Item	Notes	Description	Quantity	Part Number
1		Cover bolts (non-sealing) (pack of six)	26	P8000016691
2		Cover bolts (sealing) (pack of two)	2	P8000016692
3		Cover ALIV QT	1	P8000016690 (includes Item 7)
4		Replacement display kit (THMI and touchscreen assembly) with ALIV firmware	1	P8000018712
5		Cover seal O-ring	1	553364001
6		Touchscreen gasket	1	P8000007952
7	1, 4	Touchscreen with gasket	1	P8000016693
8	1, 3	Display module (THMI) with ALIV firmware	1	P569573
9		A4B connector kit	1	P8000011546
10	1	A4B replacement board	1	P8000010099
11		A4M connector kit	1	P8000011545
12	1	A4I replacement board	Optional	P8000010107
13		A4I connector kit	Optional	P8000011547
14	1	AC output relay (A4M, A4B, A4I)	27/47/67	644695420
15	1, 2	A4M replacement board with ALIV firmware	1	P8000011029
16	5	Analog modules	Optional	

Notes	
Note	Description
1	Suggested spare
2	Remove and retain the license key (dongle) and other components; see the AccuLoad IV Installation and Maintenance Manual (MN06201) for details
3	THMI Mk II version (red anodized case) requires revision 1.5 or higher firmware
4	Low level recalibration of touchscreen recommended after replacing sensor
5	See "AccuLoad IV Common Components" on page 9

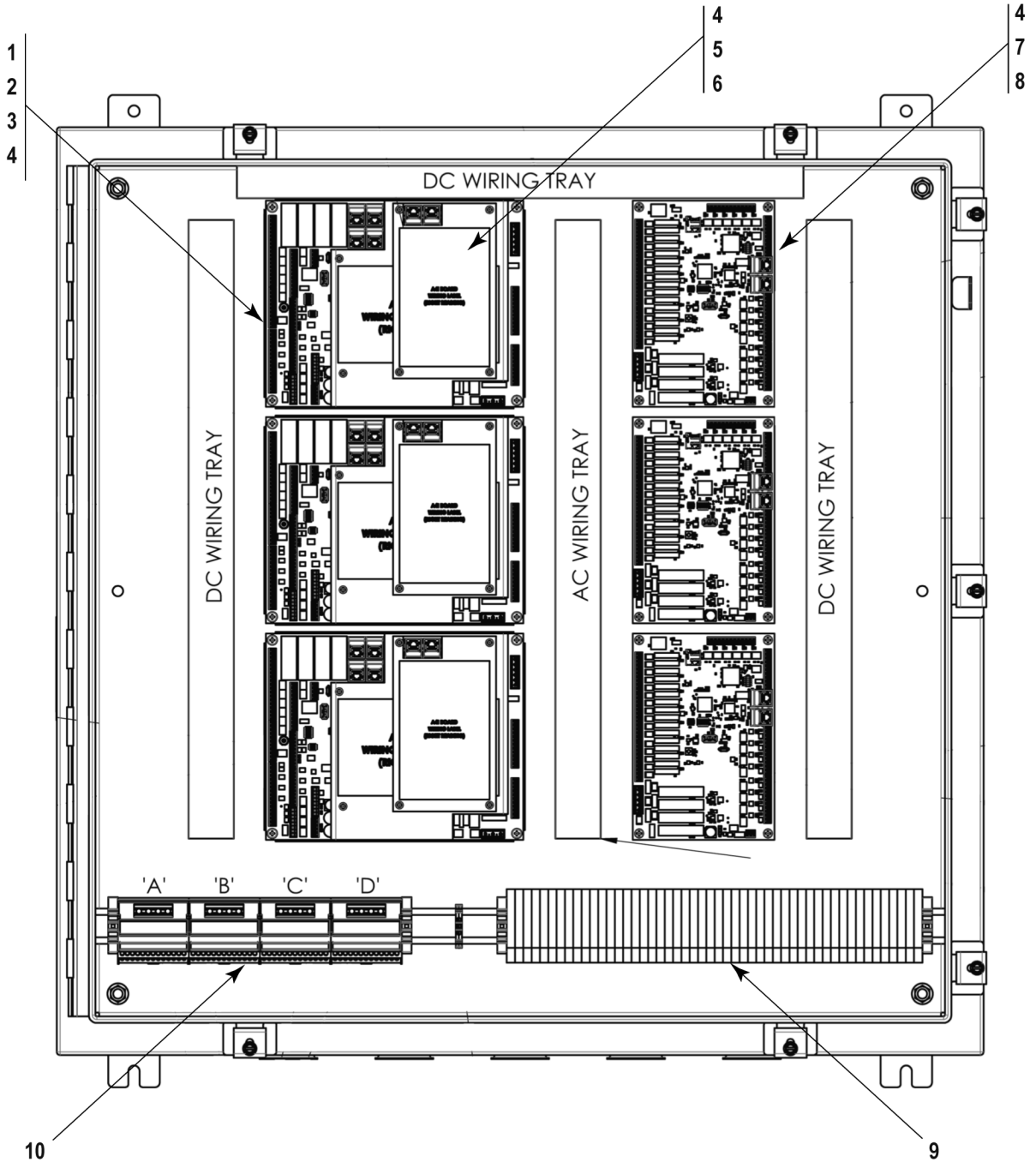
Models N4, MMI, and DET



Models N4, MMI, and DET				
Item	Notes	Description	Quantity	Part Number
1	1	Touchscreen assembly		
	4	ALIV MMI/N4 touchscreen	1	P8000019314
	4	DET N4 Touchscreen	1	P8000019315
2		Display bezel assembly with THMI		
	5	ALIV MMI/N4 display bezel assembly with THMI MK2	1	P8000018636
		DET N4 display bezel assembly with THMI MK1	1	P8000018635
3	1	Card reader assembly	1	P8000011271
4		Red indicator light	1	P8000018646
5		Green indicator light	1	P8000018647
6		Stop button, black	1	645521415
7	1	Display module (THMI)		
	5	with ALIV firmware	1	P569573
		with DET firmware	1	P569226
8		A4M connector kit	1	P8000011545
9	1, 2	A4M replacement board		
		A4M with ALIV firmware	1	P8000011029
		A4M with DET firmware	1	P569172
10	1	AC output relay (A4M, A4B, A4I)	11 or 31	644695420
11	6	Analog modules		
12	3	Terminal block	Optional	645052406
13	3	Fuse holder	Optional	645052407

Notes	
Note	Description
1	Suggested spare
2	Remove and retain the license key (dongle) and other components; see the AccuLoad IV Installation and Maintenance Manual (MN06201) for details
3	N4 and MMI only
4	Low level recalibration of touchscreen recommended after replacing sensor
5	THMI Mk II version (red anodized case) requires revision 1.5 or higher firmware for N4
6	See "AccuLoad IV Common Components" on page 9

Model SA-FCM



Model SA—FCM				
Item	Notes	Description	Quantity	Part Number
1	1, 2	A4M replacement board with ALIV firmware	1 to 4	P8000011029
2		A4M connector kit	1 to 4	P8000011545
3	1, 3	Analog modules	Optional	
4	1	AC output relay (A4M, A4B, A4I)	27/47/67	644695420
5	1	A4I replacement board	Optional	P8000010107
6		A4I connector kit	Optional	P8000011547
7	1	A4B replacement board	1 to 4	P8000010099
8		A4B connector kit	1 to 4	P8000011546
9		Fuse holder	Optional	645052407
10		Terminal block	1 to 4	645052406

Notes	
Note	Description
1	Suggested spare
2	Remove and retain the license key (dongle) and other components; see the AccuLoad IV Installation and Maintenance Manual (MNO6201) for details
3	See "AccuLoad IV Common Components" on the next page

AccuLoad IV Common Components

Analog Modules		Notes	Part Number
RTD		Optional	235562101
4-20mA In		Optional	235553101
4-20mA Out		Optional	235565101
1-5 VDC In		Optional	235559101
1-5 VDC Out		Optional	235568101
Fuses			
F1, 250 VAC 3.15 amp, time delay, Type T 5 x 20 mm glass body		1	644588473
F2, 125 V 3.5 amp fast acting, socketed surface mount (A4M, A4B)		1	P8000009697
Other			
SoM replacement kit		1	P8000020832
Screen protector 8.4" (five-pack)		1	P8000018513
Screen cleaning kit		Optional	P8000012804
Backup battery, CR2032, 3V 20 mm coin		1	644581418
Notes			
Note	Description		
1	Suggested spare		

The specifications contained herein are subject to change without notice and any user of said specifications should verify from the manufacture that the specifications are currently in effect. Otherwise, the manufacturer assumes no responsibility for the use of specifications which may have been changed and are no longer in effect.

USA Operations
1602 Wagner Avenue
Erie, PA 16510 USA
+1 814.898.5000

TechnipFMC Corporate Headquarters
13460 Lockwood Road
Building S01
Houston, TX 77044 USA
+1 281.591.4000

Germany Operations
Smith Meter GmbH
Regentstrasse 1
25474 Ellerbek, Germany
+49 4101 304.0

TechnipFMC.com

Copyright © 2024 TechnipFMC plc. All rights reserved.