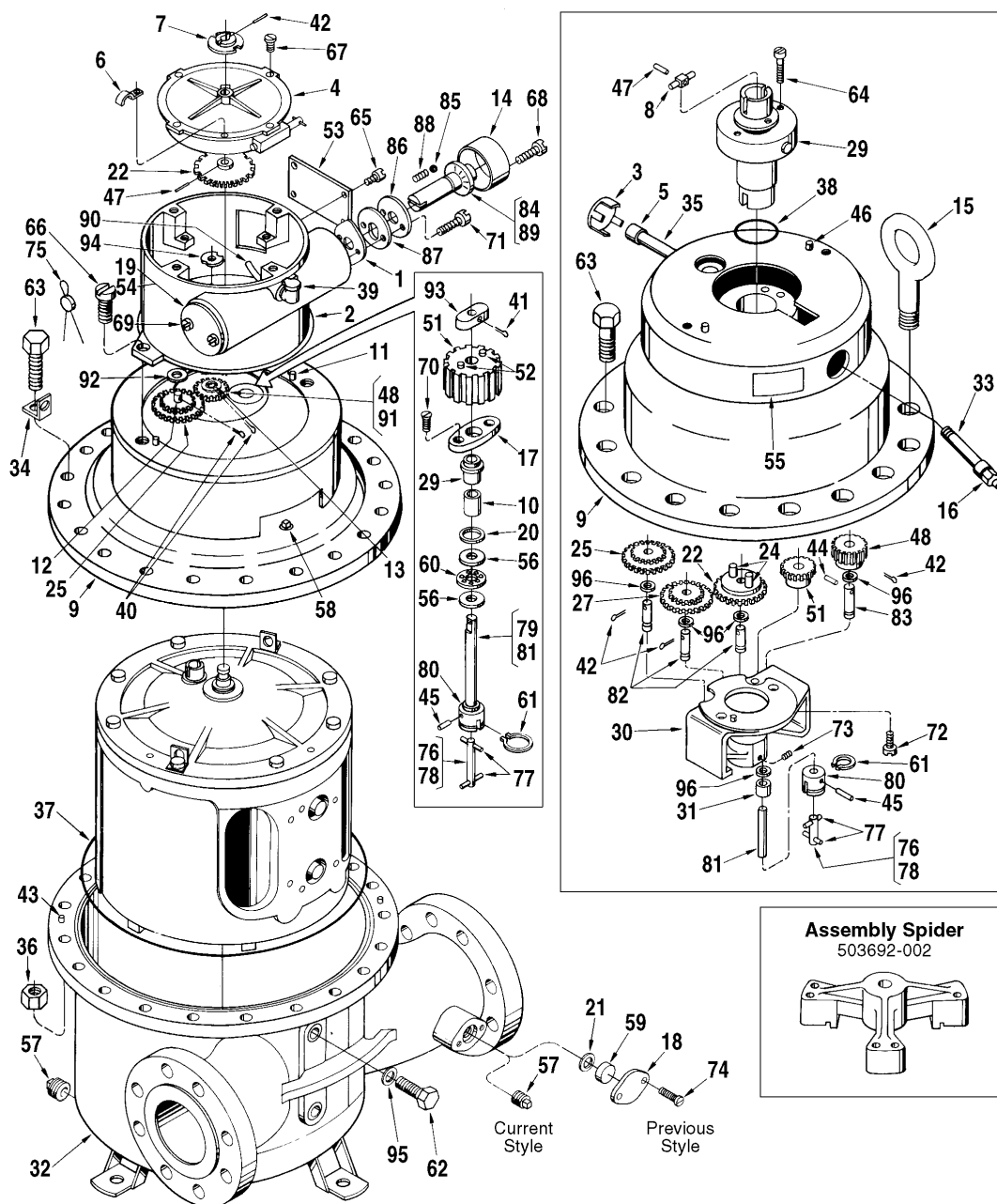
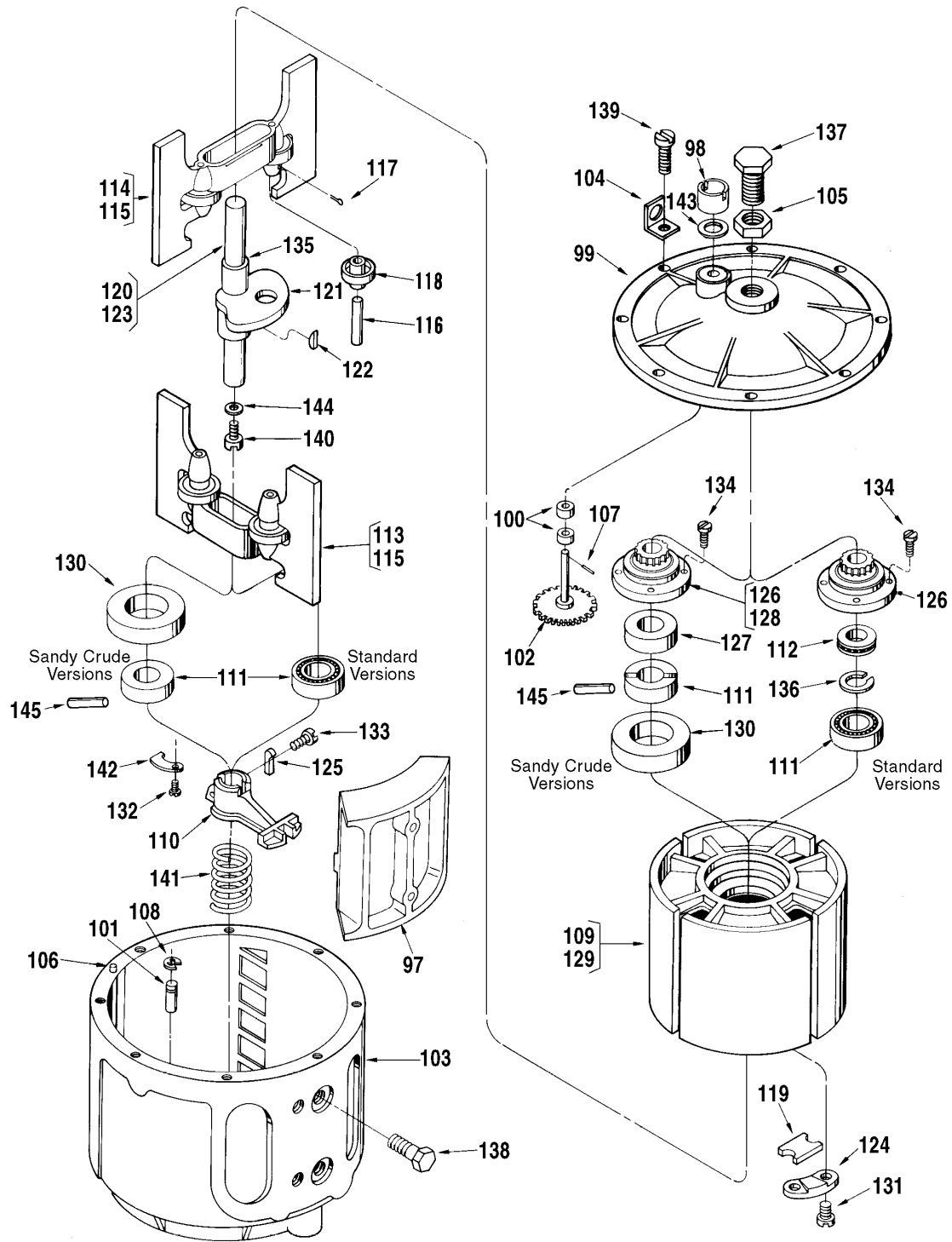


Model C2-S1, S3, S5, S6, and S7 2" Steel PD Meter

Bulletin PO01070 Issue/Rev. 0.0 (1/24)



Inner Mechanism



Item	Note	Description	Quantity	C2-S1	C2-S3, S5	C2-S6, S7
1		Adapter, Adjusting Stem	1	512372-001	512372-001	512372-001
2		Adapter:				
		Standard and ATC, S7 Only	1	N/A	N/A	515755-002
		Standard and ATC, All Others	1	512477-001	512477-001	515755-001
		ATG	1	516661-001	516661-004	516608-001
3		Blank, Snap In	1	N/A	N/A	015533-401
4	2, 6	Calibrator:				
		Standard	1	512059-001	512059-001	512059-001
		Dummy	1	516105-001	516105-001	516105-001
		Temperature Corrected, Standard	1	512060-001	512060-001	512060-001
	4	Temperature Corrected, Special Temperature or API	1	516130	516130	516130
5		Cap, Pipe:				
		Standard	1	N/A	641746-401	N/A
		NACE	1	N/A	645238-401	N/A
6		Clamp, Oil Tube	1	003905-001	003905-001	003905-001
7	1	Coupling, Drive	1	072103-001	072103-001	072103-001
8		Coupling, Input	1	N/A	003821-001	005969-001
9		Cover Assembly, Outer:				
		S7 only, Standard	1	N/A	N/A	515967-001
		S7 only, PTFE Meter	1	N/A	N/A	515967-099
		All Others, Standard	1	512865-091	513564-091	515962-091
		NACE	1	551747-001	551683-001	N/A
10		Bushing	1	519882-002	N/A	N/A
11		Pin, Groove, 1/8 x 3/8"	2	006683-002	N/A	N/A
12		Shaft, Intermediate Gear	1	512866-001	N/A	N/A
13		Shaft, Pinion Reversing	1	004036-001	N/A	N/A
14		Cover, Knob	1	003553-001	003553-001	003553-001
15		Eyebolt, Cover	2	N/A	N/A	008639-400
16		Fitting	1	N/A	006408-001	N/A
17		Flange, Packing Gland	1	010171-001	N/A	N/A
18		Flange, Temperature Well Plug	1	011941-001	011941-001	N/A
19		Gasket, Cover Plate	1	003834-001	003834-001	003834-001
20		Gasket, Packing Gland	1	010173-001	N/A	N/A
21		Gasket, Temperature Well	1	060341-001	060341-001	060341-001
22	2, 5	Gear, Calibrator Drive:				
		US Gallons	1	071926-001	535071-001	535071-001
		US Gallons, LPG	1	071926-001	536130-001	536130-001
		Imperial Gallons	1	071947-001	514827-001	514827-001
		Imperial Gallons, LPG	1	071947-001	515019-001	515019-001
		Dekaliters	1	071950-001	514834-001	514834-001
		Dekaliters, LPG	1	071950-001	515022-001	515022-001
23	1	Bushing:				
		LPG Gears	1	N/A	505173-001	505173-001
		All Others	2	N/A	013372-001	013372-001
24		Pin	2	N/A	003325-001	003325-001
25	1, 5	Gear, Intermediate:				
		US Gallons	1	071925-001	539883-001	539883-001
		US Gallons, LPG	1	071925-001	539884-001	539884-001
		Imperial Gallons	1	071946-001	514823-001	514823-001

Item	Note	Description	Quantity	C2-S1	C2-S3, S5	C2-S6, S7
		Imperial Gallons, LPG	1	071946-001	515017-001	515017-001
		Dekaliters	1	071949-001	514832-001	514832-001
		Dekaliters, LPG	1	071949-001	515021-001	515021-001
26	1	Bushing, LPG Gears Only	1	N/A	504653-001	504653-001
27	2, 5	Gear, Intermediate:				
		US Gallons	1	N/A	514743-001	514743-001
		US Gallons, LPG	1	N/A	515015-001	515015-001
		Imperial Gallons	1	N/A	514825-001	514825-001
		Imperial Gallons, LPG	1	N/A	515018-001	515018-001
		Dekaliters	1	N/A	514829-001	514829-001
		Dekaliters, LPG Gears Only	1	N/A	515020-001	515020-001
28	1	Bushing, LPG Gears Only	1	N/A	504653-001	504653-001
29	2, 7	Gland, Packing:				
		Low Temperature	1	551049-001	N/A	N/A
		FKM (Standard on C2-S1)	1	518630-001	N/A	N/A
		Buna-N	1	518630-002	513644-001	515849-001
		PTFE	1	009535-001	513644-002	515849-002
		Brass, FKM (For Non-ferrous Use)	1	008934-001	N/A	N/A
		NACE with Buna Elastomers	1	551728-001	513644-001	515849-001
		NACE with PTFE Elastomers	1	N/A	513644-002	515849-002
30		Housing, Gear:				
		Standard	1	N/A	514619-001	514619-001
		LPG	1	N/A	514619-002	514619-002
31		Bushing:				
		Standard	1	N/A	519882-001	519882-001
		LPG	1	N/A	514835-001	514835-001
32		Housing, Outer:				
		S1, S3, and S6 Standard	1	512349-001	512349-001	515877-001
		S1, S3, and S6 PTFE Meter	1	512349-099	512349-099	515877-099
		S5 and S7 Standard	1	N/A	514208-001	515983-001
		S5 and S7 PTFE Meter	1	N/A	514208-099	515983-099
		S1, S3, and S6 NACE	1	551746-001	551746-001	551876-001
		S5 NACE	1	N/A	551676-001	N/A
33		Lubrication Assembly, Packing Gland	1	N/A	514784-001	N/A
34		Lug, Lifting	2	550622-003	550622-003	N/A
35		Nipple, Pipe:				
		Standard	1	N/A	641111-404	N/A
		NACE	1	N/A	645185-401	N/A
36		Nut, Hex:				
		7/16"-14, SF	16	642148-407	642148-407	N/A
		5/8"-11, UNC-2B (S6 Only)	18	N/A	N/A	004557-400
		3/4"-10, SF (S7 Only)	18	N/A	N/A	642138-406
37	2	O-Ring, Cover:				
		Buna, S7 Only	1	N/A	N/A	515969-001
		Buna, All Others	1	641471-405	641471-405	515964-001
		FKM, S7 Only	1	N/A	N/A	515969-002
		FKM, All Others	1	640833-408	640833-408	515964-002
		EPR, S7 Only	1	N/A	N/A	515969-003
		EPR, All Others	1	641561-407	641561-407	515964-003
		PTFE, S1, S3, and S5 Only	1	645842-404	645842-404	N/A

Item	Note	Description	Quantity	C2-S1	C2-S3, S5	C2-S6, S7
38	2	O-Ring, Packing Gland:				
		Buna	1	N/A	640173-023	640888-001
		FKM	1	N/A	640894-403	640894-001
		EPR	1	N/A	641560-408	641560-401
		PTFE	1	N/A	645905-402	N/A
39		Oiler, Gits #1230	1	006588-001	006588-001	006588-001
40		Pin, Cotter:				
		1/16 x 1/2"	2	001095-401	N/A	N/A
		1/16 x 3/8"	3	N/A	009825-400	009825-400
41		Pin, Cotter, 1/16 x 5/8"	1	641042-401	N/A	N/A
42		Pin, Groove, 1/16 x 5/8"	1	006028-002	006028-002	006028-002
43		Pin, Groove:				
		S7 Only	2	N/A	N/A	641719-401
		All Others	2	641007-402	007900-400	641719-401
44		Pin, Groove, 1/16 x 1/2"	1	N/A	006054-002	006054-002
45		Pin, Groove, 5/64 x 5/8"	1	009593-400	009593-400	009593-400
46		Pin, Groove, 1/8 x 3/8"	2	N/A	006683-002	N/A
47		Pin, Input Coupling	1	006053-002	006317-002	006053-002
48	2, 5	Pinion, Reversing:				
		Standard	1	071923-001	514762-001	514762-001
		LPG	1	071923-001	514836-001	514836-001
49	1	Bushing, LPG Gears Only	1	N/A	504653-001	504653-001
50		Pin	2	001126-001	N/A	N/A
51	2	Pinion, Jackshaft	1	071922-001	514760-001	514760-001
52		Pin	2	001126-001	N/A	N/A
53		Plate, Caution	1	006571-001	006571-001	006571-001
54		Plate, Cover	1	003440-001	003440-001	003440-001
55		Plate, Lubrication	1	N/A	517715-001	515873-001
56	2	Plate, Thrust Bearing	2	001111-001	N/A	N/A
57		Plug, Pipe, 1/2" NPT:				
		Standard	2	006505-002	006505-002	006505-002
		NACE	2	645242-402	645242-402	645242-402
58		Plug, Pipe, 1/8" NPT:				
		Standard	1	006073-002	N/A	006073-002
		NACE	1	645242-405	N/A	645242-405
59		Plug, Temperature Well	1	012025-001	012025-001	012025-001
60	2	Retainer and Balls:				
		Standard Meter	1	070360-002	N/A	N/A
		All Iron Meter	1	070360-001	N/A	N/A
61		Ring, Snap	1	512066-001	512066-001	512066-001
62		Screw, Cap-Body:				
		3/8-16 x 1-1/4"	2	002238-401	N/A	N/A
		3/8-16 x 1-3/4"	2	N/A	N/A	660248-409
		NACE	2	645231-402	645231-402	645231-401
63		Screw, Cap-Housing:				
		7/16-14 x 1-1/4"	16	006348-002	N/A	N/A
		7/16-14 x 1-3/4"	16	N/A	642052-404	N/A
		5/8-11 x 3" (S6)	18	N/A	N/A	642061-408
		3/4-10 x 3-3/4" (S7)	18	N/A	N/A	641068-404
64		Screw, Cap-Packing Gland:				

Item	Note	Description	Quantity	C2-S1	C2-S3, S5	C2-S6, S7
		5/16-18 x 1-1/4"	2	N/A	006511-002	N/A
		7/16-14 x 1-1/2"	4	N/A	N/A	006410-002
65		Screw, Drive:				
		#2 x 1/8"	8	009880-400	N/A	N/A
		#2 x 1/8"	12	N/A	009880-400	009880-400
66		Screw:				
		5/16-18 x 7/8", Drilled	2	009563-401	009563-401	N/A
		5/16-18 x 1-3/8", Drilled	2	N/A	N/A	642019-414
67		Screw, #6-32 x 5/16"	2	006048-002	006048-002	006048-002
68		Screw, #10-24 x 3/4", Drilled	2	006481-003	006481-003	006481-003
69		Screw, #10-32 x 3/8"	2	006045-002	006045-002	006045-002
70		Screw, #10-32 x 1/2"	2	006764-002	N/A	N/A
71		Screw, #10-32 x 7/8"	2	640835-001	640835-001	640835-001
72		Screw, 5/16-18 x 5/8"	2	N/A	009813-400	009813-400
73		Screw, Set, #10-32 x 1/4"	3	N/A	009469-400	009469-400
74		Screw, Temperature Well:				
		5/16-18 x 1"	2	060133-002	060133-002	N/A
		5/16-18 x 3/4"	4	N/A	N/A	006409-002
75	2	Seal, Lead, and Wire	3	001627-400	001627-400	001627-400
76		Shaft Assembly, Link	1	512845-001	512845-001	515866-001
77		Pin, Groove, 1/8 x 1"	2	065217-402	065217-402	065217-402
78		Shaft, Link	1	512068-001	512068-001	512068-005
79		Shaft Assembly, Upper Jack	1	512862-001	N/A	N/A
80		Coupling, Driver	1	512065-001	514633-001	514633-001
81		Shaft, Upper Jack	1	512863-001	514761-002	514761-002
82		Shaft, Gear	3	N/A	514766-001	514766-001
83		Shaft, Reversing Pinion	1	N/A	514370-001	514370-001
84		Stem Assembly, Adjusting	1	009838-001	009838-001	009838-001
85		Ball	2	006427-001	006427-001	006427-001
86		Plate, Base	1	003552-001	003552-001	003552-001
87		Plate, Retainer	1	003556-001	003556-001	003556-001
88		Spring, Knob	2	003557-001	003557-001	003557-001
89		Stem, Adjusting	1	003551-001	003551-001	003551-001
90		Tube, Oil	1	514658-001	514658-001	514658-001
91		Washer, Flat	1	N/A	N/A	N/A
92		Washer, Gear	1	009614-400	N/A	N/A
93	2	Washer, Jackshaft	1	001125-001	N/A	N/A
94		Washer, Pinion Shaft	1	003599-001	N/A	N/A
95		Washer, Sealing	2	005500-401	005500-401	519338-001
96		Washer, Shaft:				
		S3, S5, and S6	5	N/A	641985-401	641985-401
		S7	5	N/A	N/A	641985-402

Inner Mechanism

Item	Note	Description	Quantity	Part Number
97		Block:		
		Standard	1	003824-001
		High Viscosity (for 2,000 SSU to 10,000 SSU)	1	003824-041
		Low Flow	1	003824-002

Item	Note	Description	Quantity	Part Number
98		Coupling, Jackshaft	1	512064-001
99		Cover, Inner:		
		Standard and All Iron	1	512856-001
		LPG	1	512856-002
		Low Flow, Standard and All Iron	1	512856-003
		Low Flow, LPG	1	512856-005
100		Bushing:		
		Standard and All Iron	2	519882-002
		LPG	2	504666-001
101		Dowel, Locating Arm	1	512872-001
102		Gear, Jackshaft:		
		Standard	1	512850-001
		Sandy Crude	1	512850-003
103		Housing, Inner	1	512341-001
104		Lug, Lifting	2	512002-001
105		Nut, Adjusting Screw, 1/2"-20, UNF-2B	1	640671-001
106		Pin, Cover, 3/16 x 5/8"	1	641007-402
107		Pin, Groove, 5/64 x 5/8"	1	009593-400
108		Ring, Retaining	1	065303-001
109		Rotor Assembly, Complete:		
		Standard	1	515704-001
		All Iron	1	515704-002
		LPG	1	515704-003
		Sandy Crude	1	551902-001
		Sandy Crude with All Iron Trim	1	551902-002
110		Arm, Locating	1	512368-001
111	2	Bearing, Rotor:		
		Standard and All Iron	2	516107-001
		LPG	2	516107-002
		Sand Crude	2	551372-001
112	2	Bearing, Thrust (not used on sandy crude):		
		Standard and All Iron	1	009712-001
		LPG	1	505016-001
113		Blade Assembly, Lower:		
		Standard	1	009523-024
		All Iron	1	009707-008
		LPG	1	505009-001
		Standard - Modified for 2,000 SSU to 10,000 SSU	1	009524-041
		Standard - Modified for 200°F Maximum	1	009524-042
		Standard - Modified for 2,000 SSU to 10,000 SSU and 200 °F Maximum	1	009524-043
		A.I. - Modified for 2,000 SSU to 10,000 SSU	1	009707-048
		Sandy Crude	1	009524-003
		Sandy Crude with All Iron Trim	1	009707-003
114		Blade Assembly, Upper:		
		Standard	1	009523-024
		All Iron	1	009707-008
		LPG	1	505007-001
		Std. - Modified for 2,000 SSU to 10,000 SSU	1	009523-041
		Std. - Modified for 200 °F Maximum	1	009523-042

Item	Note	Description	Quantity	Part Number
		Std. - Modified for 2,000 SSU to 10,000 SSU and 200 °F Maximum	1	009523-043
		A.I. - Modified for 2,000 SSU to 10,000 SSU	1	009707-048
		Sandy Crude	1	009523-003
		Sandy Crude with All Iron Trim	1	009707-002
115		Blade, Less Pins and Rollers:		
		Sandy Crude	1	535454-001
		Sandy Crude with All Iron Trim	1	010729-001
116		Pin, Blade Roller	2	010666-001
117		Pin, Cotter, 1/16 x 5/8"	2	641042-401
118	2	Roller, Blade:		
		Standard and All Iron	2	011478-001
		LPG	2	500504-001
		Sandy Crude, All Versions	2	011478-002
119	2	Block, Blade	4	010289-002
120		Cam and Shaft Assembly:		
		Sandy Crude, All Versions	1	512468-002
		All Others	1	512468-001
121	2	Cam:		
		Sandy Crude, All Versions	1	003738-002
		All Others	1	003738-001
122		Key	1	003753-001
123		Shaft:		
		Sandy Crude, All Versions	1	512344-002
		All Others	1	512344-001
124		Clamp, Blade Block	4	010212-001
125		Key, Locating Arm	1	512873-001
126		Plate Assembly, Rotor Gear:		
		Sandy Crude, All Versions	1	551374-001
		All Others	1	512467-001
127		Bearing (Sandy Crude Versions Only)	1	551372-001
128		Gear plate, Bare (Sandy Crude Versions Only)	1	512467-002
129		Rotor, Sub Assembly:		
		Sandy Crude, All Versions	1	551104-001
		LPG Version	1	005999-042
		All Others	1	005999-002
130		Bearing (Sandy Crude Versions Only)	2	551101-001
131		Screw, #10-32 x 5/8":		
		Standard and LPG	8	008338-400
		Sandy Crude and All Iron (Drilled)	8	065082-003
132		Screw, #4-40 x 1/4"	2	006012-002
133		Screw, 5/16-18 x 1"	1	643668-405
134		Screw, #10-32 x 5/8"	4	008338-400
135		Sleeve, Rotor Shaft:		
		Sandy Crude Versions	1	512848-002
		All Others	1	512848-001
136		Spacer, Bearing (Not Used on Sandy Crude)	1	512849-001
137		Screw, Adjusting	1	003526-002
138		Screw, Cap, 5/16-18 x 3/4"	2	002046-400
139		Screw, 1/4-20 x 3/4"	8	005061-400

Item	Note	Description	Quantity	Part Number
140		Screw, #8-32 x 3/8" (No Longer Used on Current Shafts)	1	002114-401
141	2	Spring, Rotor	1	003746-002
142		Spring, Rotor Bearing Lock	1	003745-001
143		Washer, Flat	1	641985-401
144		Washer, Seal (No Longer Used on Current Shafts)	1	516014-001
145		Pin, Groove	2	280660-410

Inner Mechanism General Assembly Numbers

Description	Part Number
Standard	512874-091
All Iron	512874-092
LPG Trim	512874-093
Low Flow, Standard	512874-094
Low Flow, All Iron Trim	512874-095
Low Flow, LPG Trim	512874-096
Sandy Crude (Tungsten Carbide)	551517-091
Sandy Crude (Tungsten Carbide), All Iron Trim	551517-092
Standard, High Viscosity (for 2,000 SSU to 10,000 SSU)	512874-941
All Iron, High Viscosity (for 2,000 SSU to 10,000 SSU)	512874-942
Standard, High Temperature (for 200 °F Maximum)	512874-951
Standard, High Viscosity/Temperature (for 2,000 SSU to 10,000 SSU and 200 °F Maximum)	512874-971

Note	Description
1	Not illustrated
2	Recommended stock
3	Indicates change since last revision
4	When ordering, include product temperature range, specific or API gravity, API table used, and meter and gearing the calibrator is to be used in conjunction with
5	Only standard gearing is listed; for additional gearing combinations, see Gear Train Application Bulletin (AB01023)
6	See Calibrator, Models AM-5, AT-5, and ATS-5 Parts List (PO01028) for component parts
7	See Packing Glands Parts List (PO01042) for component parts

The specifications contained herein are subject to change without notice and any user of said specifications should verify from the manufacture that the specifications are currently in effect. Otherwise, the manufacturer assumes no responsibility for the use of specifications which may have been changed and are no longer in effect.

TechnipFMC.com

Copyright © 2023 TechnipFMC plc. All rights reserved.

TechnipFMC Corporate Headquarters
13460 Lockwood Road
Building S01
Houston, TX 77044 USA
+1 281.591.4000

USA Operations
1602 Wagner Avenue
Erie, PA 16510 USA
+1 814.898.5000

Germany Operations
Smith Meter GmbH
Regentstrasse 1
25474 Ellerbek, Germany
+49 4101 304.0