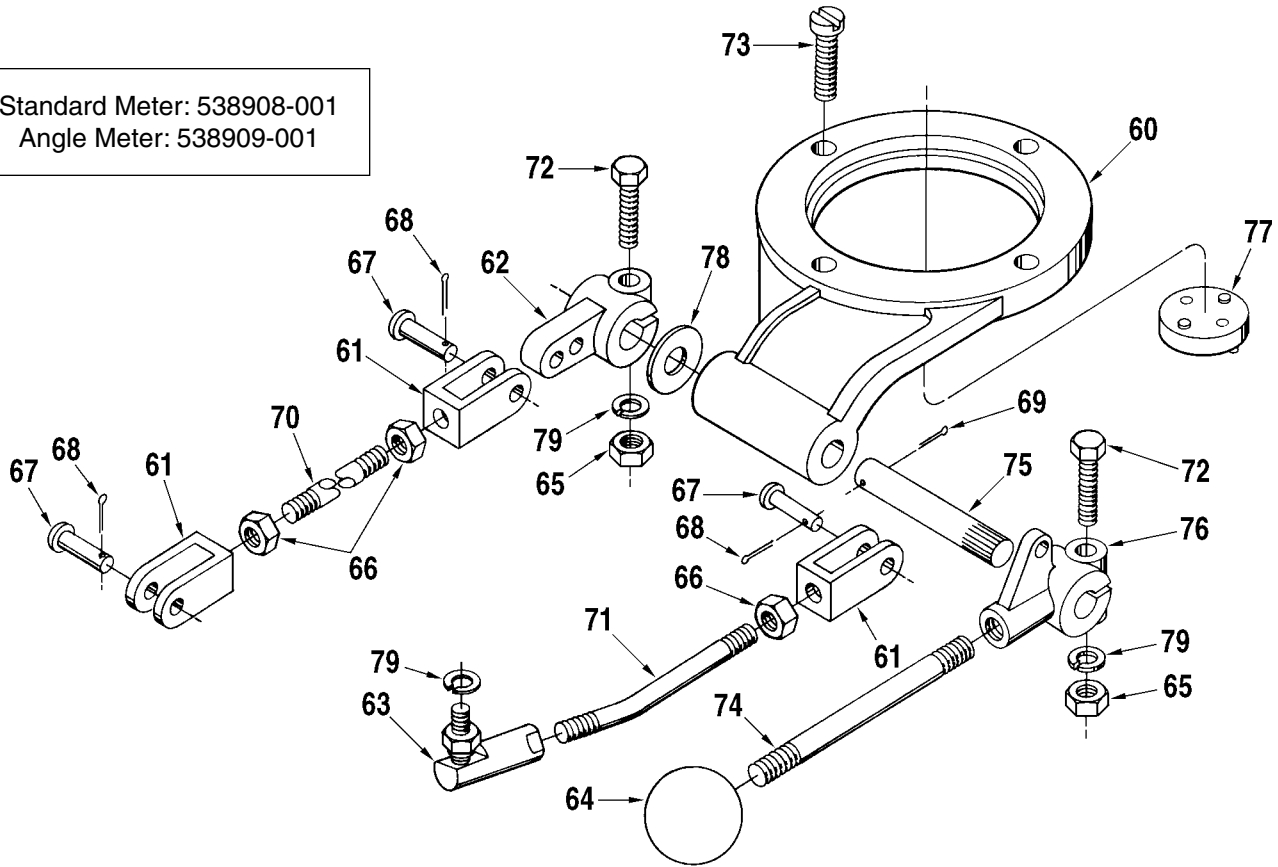


Valve Linkage Assembly

(For use with Veeder-Root Preset Counter only. For Smith-style Preset Counter Linkage, see Form No. P0303.*)

Standard Meter: 538908-001
Angle Meter: 538909-001



Item	Description	Qty.	Part Number
1	Adjuster, Needle Valve:		
	Buna-N Trim	1	518814-001
	Viton Trim	1	518814-002
	EPR Trim	1	518814-003
	Teflon Trim	1	518814-004
2	Cup, Adjuster	1	518818-001
3	+ Gland	1	518817-001
4	+ O-Ring:		
	Buna-N	1	642586-406
	Viton	1	640798-433
	EPR	1	641558-424
	Teflon	1	641752-420
5	Pin, Roll, 1/16 x 1/2"	1	015129-400
6	Pin, Roll, 1/16 x 7/16"	1	642431-404
7	Ring, Retaining	1	640822-407
8	Spring	1	518821-001
9	Stem	1	518820-001
10	Washer	1	518819-001
11	Washer	1	640652-001
12	Blind, Gland Opening	1	011941-001
13	Body Assembly:		
	Cast Iron	1	518815-001
	Aluminum	1	518815-002
	Class 150 Steel	1	518815-003
	Class 300 Steel	1	518815-004
14	Bushing	2	518912-001
15	Stud (Class 300 Steel Body Only)	8	643825-402
16	+ Bushing, Gland Shaft	1	503685-001
17	Collar, Shaft Lever	1	503681-001
18	Cone, End	1	013686-001

Item	Description	Qty.	Part Number
19	Cylinder:		
	Standard	1	518810-002
	All Iron.....	1	536917-001
20	Expander, Piston Ring.....	1	518812-001
21	+ Gasket, Gland Cover	2	011940-001
22	Lever, Operating.....	1	550459-001
23	Lever, Valve	1	550645-001
24	Nut, Operating Lever	1	002077-400
25	+ O-Ring:		
	Buna-N.....	1	640913-003
	Viton.....	1	641276-403
	EPR	1	641559-403
	Teflon	1	641248-401
26	+ O-Ring:		
	Buna-N.....	1	641070-416
	Viton.....	1	641276-413
	EPR	1	641559-416
	Teflon	1	641248-402
27	Pin, Groove, 1/8 x 3/4".....	1	006127-002
28	Piston and Cone Assembly:		
	Standard:		
	Buna-N.....	1	518937-002
	Viton	1	518937-001
	Teflon.....	1	518937-003
	All Iron:		
	Buna-N.....	1	536904-001
	Viton	1	536904-002
	EPR.....	1	536904-003
29	Cone, Valve:		
	Standard	1	013691-001
	All Iron.....	1	536915-001
30	Piston:		
	Standard	1	518825-001
	All Iron.....	1	536916-001
31	Pin, Retaining	1	012449-001
32	+ Ring, Valve:		
	Buna-N.....	1	011908-001
	Viton	1	506905-001
	EPR.....	1	506905-003
	Teflon.....	1	506905-002
33	Screw, 5/16-24 x 2-1/2"	4	060317-002
34	Seat	1	012444-001
35	Shaft:		
	Standard	1	070908-001
	All Iron.....	1	536899-001
36	Spring	1	012446-001
37	Spring, Shut-Off.....	1	012447-001
38	Valve Assembly, Pilot:		
	Standard:		
	Buna	1	072101-001
	Viton	1	511671-001
	Teflon	1	511671-003
	All Iron:		
	Buna-N	1	072101-002
	Viton	1	511671-002
	EPR.....	1	506999-003
39	Guide:		
	Standard.....	1	014084-001
	All Iron	1	014084-002
40	+ Seat:		
	Buna-N.....	1	014085-001
	Viton	1	506999-001
	Teflon.....	1	506999-002

Item	Description	Qty.	Part Number
41	Plug, 1/4" NPT	1	002407-402
42	Retainer, Thrust	1	503682-001
43	Ring, Piston	2	518811-001
44	Screw, 1/4-28 x 1-1/4"	1	009934-400
45	Screw, 5/16-24 x 7/8"	4	006283-002
46	Screw:		
	Iron and Aluminum Valves, 1/4-28 x 1/2"	2	060316-002
	Cast Steel Valves, 5/16-18 x 1/2"	3	065425-002
47	Screw, #10-32 x 1/2"	2	015170-400
48	Shaft, Lever	1	011904-001
49	Spring, Gland Washer	1	503684-001
50	Spring, Piston	1	012448-001
51	Valve, Needle	1	518822-001
52	Valve, Tappet Assembly	1	071757-001
53	Collar	2	012523-001
54	Pin, Groove, 1/8 x 1"	2	006200-002
55	Tappet	1	013685-001
56	Washer, Clamping (Iron and Aluminum Only)	2	009615-400
57	Washer, Gland	1	503683-001
58	Washer, #8 Lock	2	009757-400
59	Washer, 1/4" Spring Lock	1	002069-400

Valve Linkage Assembly

60	Adapter, Control Lever	1	518381-001
61	+ Clevis	3	013192-001
62	Crank	1	518379-001
63	Joint, Ball	1	643134-402
64	Knob	1	006660-001
65	Nut, 1/4"-28	2	002077-400
66	Nut, 5/16"-24	#	005292-400
67	+ Pin, Clevis	3	644513-401
68	Pin, Cotter, 1/16 x 3/8"	6	009825-400
69	Pin, Cotter, 3/32 x 1-1/4"	1	006373-001
70	Rod, Tie (Specify Length)	1	013193-001
71	Rod, Tie	1	538910-001
72	Screw, 1/4-28 x 1-1/4"	2	009934-400
73	Screw, 3/8-16 x 1-1/2"	2	060452-002
74	Shaft, Handle	1	518640-001
75	Shaft, Valve Control:		
	Straight-Through Meter	1	518639-001
	Angle Meter	1	519369-001
76	Socket, Crank, and Handle	1	518377-002
77	Spacer, Drive Coupling	1	533020-001
78	Washer	1	065309-002
79	Washer, 1/4" Lock Spring	3	002069-400

+ Recommended stock.

Order quantity required.

* The latest edition is indicated by a 2-digit postscript (e.g., .01, .02, etc.).

The specifications contained herein are subject to change without notice and any user of said specifications should verify from the manufacturer that the specifications are currently in effect. Otherwise, the manufacturer assumes no responsibility for the use of specifications which may have been changed and are no longer in effect.

Headquarters:

1803 Gears Road, Houston, TX 77067 USA, Phone: 281/260-2190, Fax: 281/260-2191

Gas Measurement Products:

Erie, PA USA Phone 814/898-5000

Theftord, England Phone (44) 1842-82-2900

Kongsberg, Norway Phone (47) 32/286-700

Buenos Aires, Argentina Phone 54 (11) 4312-4736

Integrated Measurement Systems:

Corpus Christi, TX USA Phone 361/289-3400

Kongsberg, Norway Phone (47) 32/286-700

San Juan, Puerto Rico Phone 787/274-3760

United Arab Emirates, Dubai Phone 971 +4/331-3646

Liquid Measurement Products:

Erie, PA USA Phone 814/898-5000

Los Angeles, CA USA Phone 661/702-8660

Slough, England Phone (44) 1753-57-1515

Ellerbek, Germany Phone (49) 4101-3040

Barcelona, Spain Phone (34) 93/201-0989

Moscow, Russia Phone (7) 495/564-8705

Melbourne, Australia Phone (61) 3/9807-2818

Beijing, China Phone (86) 10/6500-2251

Singapore Phone (65) 6861-3011

Chennai, India Phone (91) 44/450-4400

Visit our website at www.fmctechnologies.com