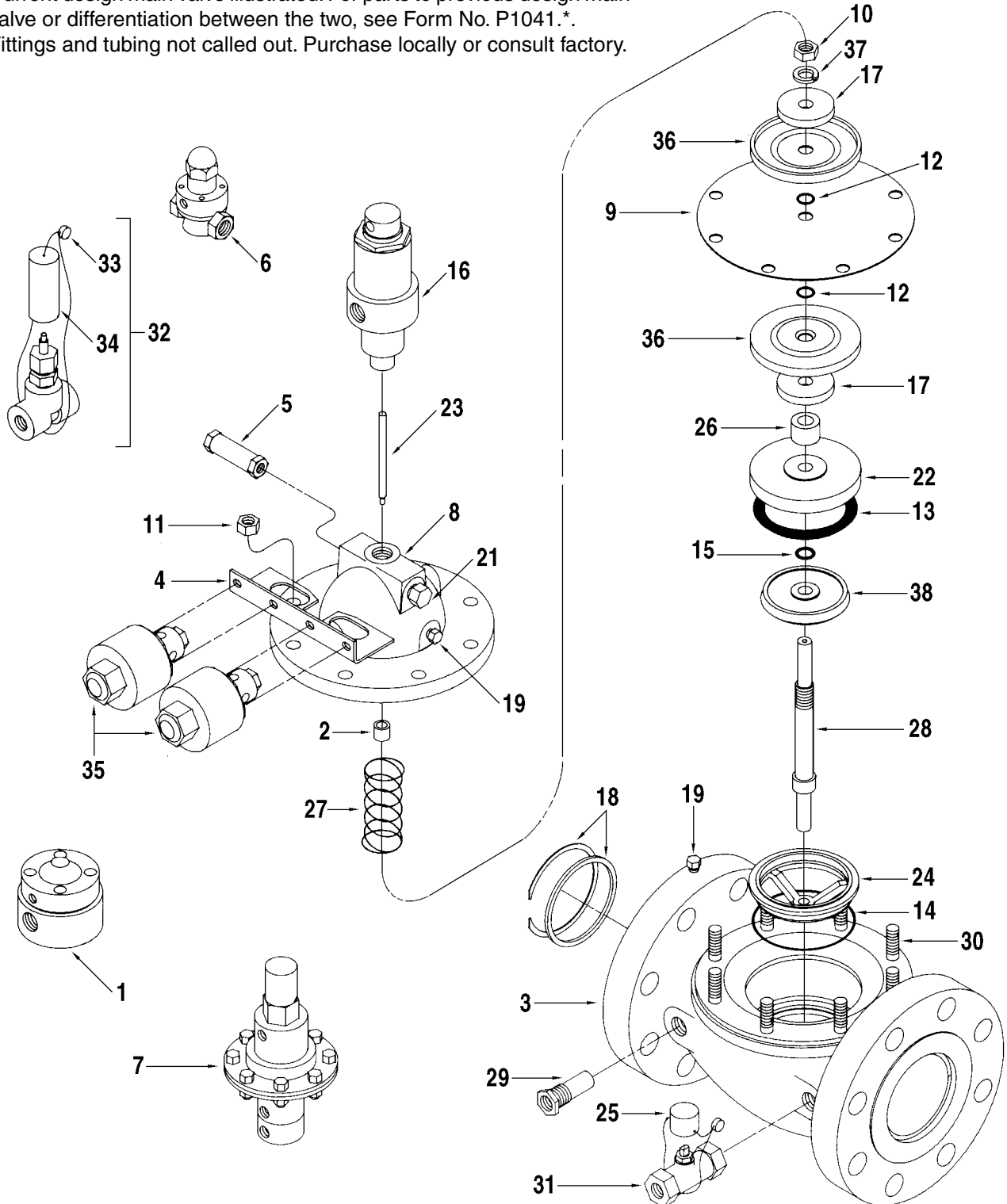


Current design main valve illustrated. For parts to previous design main valve or differentiation between the two, see Form No. P1041.\*.  
 Fittings and tubing not called out. Purchase locally or consult factory.



\*The latest edition is indicated by a 2-digit postscript (e.g., .01, .02, etc.).

Item	Description	Qty.	Part Number
1	@1 Accelerator, Model 21A .....	1	See Note
2	Bearing:		
	Bronze .....	1	640688-019
	R Stainless Steel .....	1	529531-001
	R Steel.....	1	524262-011
	R Ni-Resist - For Teflon Valve .....	1	529531-003
3	Body:		
	Steel, 150#.....	1	528666-091
	Steel, 300#.....	1	528799-001
	R Steel, 150# - Epoxy Coated .....	1	528666-031
	R Steel, 300# - Epoxy Coated .....	1	528799-031
4	Bracket .....	1	526355-001
5	@2 Check Feature, Model 10B.....	1	See Note
6	@3 Check Feature, Diaphragm, Model 12.....	1	See Note
7	@4 Control, Rate of Flow, Model 40A.....	1	See Note
8	Cover:		
	Steel - Standard.....	1	528760-091
	R Epoxy Coated .....	1	528760-031
	R Steel - For Teflon Valve .....	1	529690-001
9	+ Diaphragm:		
	Buna-N.....	1	507399-001
	R Low Swell Buna .....	1	507399-009
	Viton.....	1	507399-002
	EPR .....	1	507399-005
	R Gylon .....	1	507399-006
10	Nut, Stem .....	1	643756-402
11	Nut, Stud, 1/2"-13, UNC-2B:		
	Low Carbon Steel - Standard .....	8	002752-400
	R High Tensile Carbon Steel - For Teflon Valve .....	10	006415-400
12	+ O-Ring, Diaphragm:		
	Buna-N.....	2	640887-418
	Viton.....	2	640798-416
	EPR .....	2	641558-417
	R Teflon .....	2	645487-410
13	+ O-Ring, Retainer:		
	Buna-N.....	1	507571-001
	R Low Swell Buna .....	1	507571-008
	Viton.....	1	507571-003
	EPR .....	1	507571-005
	R Teflon .....	1	507571-006
14	+ O-Ring, Seat:		
	Buna-N.....	1	640887-422
	Viton.....	1	640798-434
	EPR .....	1	641558-422
	R Teflon .....	1	645487-412
15	+ O-Ring, Stem:		
	Buna-N.....	1	640913-005
	Viton.....	1	641276-405
	EPR .....	1	641559-405
	R Teflon .....	1	645487--411
16	@5 Pilot, Set-Stop, Model 196.....	1	See Note
17	Plate, Back-Up:		
	Steel - Standard.....	2	528659-001
	R Epoxy Coated Steel - For Teflon Valve.....	2	528659-002
18	@6 Plate, Orifice.....	1	See Note
19	Plug, 1/8" NPT Pipe.....	#	644522-401
20	Plug, 1/2" NPT Pipe.....	#	006505-002

Item	Description	Qty.	Part Number
21	Plug, 3/8" NPT Pipe.....	1	006023-002
22	Retainer, O-ring:		
	Ductile Iron - Standard.....	1	507705-004
	R Ductile Iron - Epoxy Coated.....	1	507705-005
	R Ductile Iron - Nickel Coated - For Teflon Valve.....	1	507705-007
23	Rod, Actuator .....	1	510721-004
24	Seat:		
	Bronze .....	1	528406-001
	Stainless Steel .....	1	528406-002
	Ni-Resist .....	1	528406-004
	R Ni-Resist - For Teflon Valve.....	1	528406-005
25	Shell .....	1	643706-403
26	Spacer:		
	Steel - Standard.....	1	524198-004
	R Epoxy Coated Steel - For Teflon Valve.....	1	524198-005
27	Spring.....	1	525351-003
28	Stem.....	1	528658-001
29	Strainer, Model 09SC .....	1	528341-002
30	Stud:		
	Steel - 1/2-13 x 2" - Standard .....	8	642362-407
	R Zinc Coated Steel - 1/2-13 x 2" - For Teflon Valve .....	6	643823-410
	R Zinc Coated Steel - 1/2-13 x 2-3/4" - For Teflon Valve .....	2	643823-409
31	Valve, Ball, Model 03A.....	1	529313-002
32	Valve, Needle, Model 13.....	3	527065-001
33	Seal, Lead, and Wire .....	1	001627-400
34	Shell.....	1	643706-401
35	@7 Valve, Solenoid, Model 31 .....	2	See Note
36	Washer, Diaphragm:		
	Standard .....	2	528660-001
	R Epoxy Coated .....	2	528660-006
	R Teflon Valve.....	2	528660-005
37	Washer, Lock Spring .....	1	643164-406
38	Washer, O-Ring:		
	Ductile Iron - Standard.....	1	528913-001
	R Epoxy Coated Ductile Iron.....	1	528913-002
	R Stainless Steel - For Teflon Valve.....	1	508038-005

+ Recommended stock.

# Order quantity required.

R Indicates change since last revision.

@1 See Form No. P1001.\* for component parts.

@2 See Form No. P1005.\* for component parts.

@3 See Form No. P1006.\* for component parts.

@4 See Form No. P1023.\* for component parts.

@5 See Form No. P1024.\* for component parts.

@6 Contact Smith Meter Inc. Sales Office for ordering instructions.

@7 See Form No. P1025.\* for ordering instructions.

\* The latest edition is indicated by a 2-digit postscript (e.g., .01, .02, etc.).

The specifications contained herein are subject to change without notice and any user of said specifications should verify from the manufacturer that the specifications are currently in effect. Otherwise, the manufacturer assumes no responsibility for the use of specifications which may have been changed and are no longer in effect.

---

**Headquarters:**

1803 Gears Road, Houston, TX 77067 USA, Phone: 281/260-2190, Fax: 281/260-2191

**Gas Measurement Products:**

**Erie, PA USA** Phone 814/898-5000

**Thetford, England** Phone (44) 1842-82-2900

**Kongsberg, Norway** Phone (47) 32/286-700

**Buenos Aires, Argentina** Phone 54 (11) 4312-4736

**Integrated Measurement Systems:**

**Corpus Christi, TX USA** Phone 361/289-3400

**Kongsberg, Norway** Phone (47) 32/286-700

**San Juan, Puerto Rico** Phone 787/274-3760

**United Arab Emirates, Dubai** Phone 971 +4/331-3646

**Liquid Measurement Products:**

**Erie, PA USA** Phone 814/898-5000

**Los Angeles, CA USA** Phone 661/702-8660

**Slough, England** Phone (44) 1753-57-1515

**Ellerbek, Germany** Phone (49) 4101-3040

**Barcelona, Spain** Phone (34) 93/201-0989

**Moscow, Russia** Phone (7) 495/564-8705

**Melbourne, Australia** Phone (61) 3/9807-2818

**Beijing, China** Phone (86) 10/6500-2251

**Singapore** Phone (65) 6861-3011

**Chennai, India** Phone (91) 44/450-4400

**Visit our website at [www.fmctechnologies.com](http://www.fmctechnologies.com)**