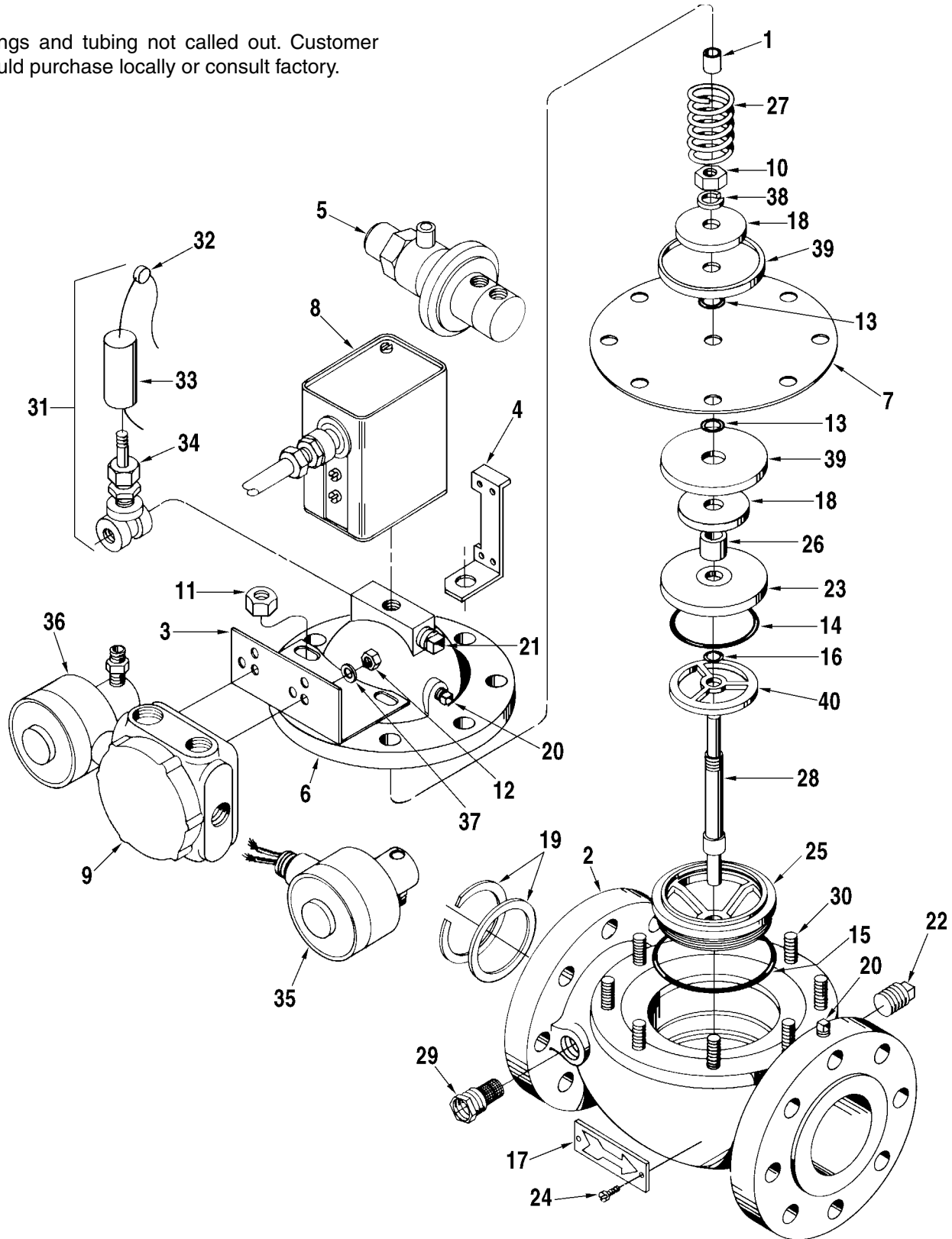


Fittings and tubing not called out. Customer should purchase locally or consult factory.



Item	Description	Qty.	Part Number
1	Bearing, Cover:		
	Bronze	1	640688-021
R	Stainless Steel	1	526389-007
R	Steel.....	1	524262-007
R	Ni-Resist - For Teflon Valve	1	529675-004
2	Body:		
	Cast Steel, Class 150	1	528705-001
	Cast Steel, Class 300	1	528801-001
R	Steel, 150# For Teflon Valve	1	528705-005
3	Bracket, Junction Box/Solenoids	1	528452-001
4	Bracket, Pilot Support.....	1	528453-001
5	@1 Control, Rate of Flow, Model 42A.....	1	See Note
6	Cover:		
	Steel - Standard.....	1	528765-001
R	Steel - Epoxy Coated.....	1	528765-031
R	Steel - For Teflon Valve	1	528765-004
7	+ Diaphragm:		
	Buna-N.....	1	507400-001
R	Low Swell Buna	1	507400-009
	Viton.....	1	507400-002
	EPR	1	507400-003
R	Gylon	1	507400-008
8	@2 Indicator, Position, Model 04A, with Self-Aligning		
	Stem Assembly	1	See Note
9	Junction Box	1	528497-001
10	Nut, Stem, 7/8"-14.....	1	643756-403
11	Nut, Stud, 5/8"-11	12	642138-405
12	Nut, 5/16"-18	2	002876-400
13	+ O-Ring, Diaphragm:		
	Buna-N.....	2	640887-009
	Viton.....	2	640798-420
	EPR	2	641558-409
R	Teflon	2	645487-418
14	+ O-Ring, Retainer:		
	Buna-N.....	1	507573-001
R	Low Swell Buna	1	507573-008
	Viton.....	1	507573-003
	EPR	1	507573-004
R	Teflon	1	507573-005
15	+ O-Ring, Seat:		
	Buna-N.....	1	641136-403
	Viton.....	1	643313-401
	EPR	1	641559-414
R	Teflon	1	645487-419
16	+ O-Ring, Stem:		
	Buna-N.....	1	640887-009
	Viton.....	1	640798-420
	EPR	1	641558-409
R	Teflon	1	645487-418
17	Plate, Arrow.....	1	508553-001
18	Plate, Back-Up.....	2	528847-001
19	@3 Plate, Orifice.....	1	See Note
20	Plug, 1/8" NPT.....	#	644522-401
21	Plug, 1/2" NPT.....	#	006505-002
22	Plug, 3/4" NPT.....	#	006878-002

Item	Description	Qty.	Part Number
23	Retainer, O-Ring:		
	Ductile Iron - Standard.....	1	524174-004
R	Epoxy Coated Ductile Iron.....	1	524174-006
R	Nickel Coated Ductile Iron - For Teflon Valve.....	1	524174-005
24	Screw, 3/16" Drive.....	2	640813-001
25	Seat:		
	Bronze.....	1	528380-001
	Stainless Steel.....	1	528380-002
R	Ni-Resist - For Teflon Valve.....	1	528380-005
26	Spacer:		
	Steel - Standard.....	1	528845-001
R	Epoxy Coated Steel.....	1	528845-003
R	Stainless Steel - For Teflon Valve.....	1	528845-004
27	Spring.....	1	525355-001
28	Stem.....	1	528844-001
29	Strainer, Model 09SC.....	1	528342-002
30	Stud:		
	5/8"-11 x 2-1/2" - Standard.....	12	642363-405
R	5/8"-11 x 2-1/2" - For Teflon Valve.....	10	643824-407
R	5/8"-11 x 3-1/2" - For Teflon Valve.....	2	643823-408
31	Valve, Needle, Model 13.....	1	527065-001
32	+ Seal, Lead, and Wire.....	1	001627-400
33	Shell.....	1	643706-401
34	Valve.....	1	643710-401
35	@4 Valve, Solenoid, Model 30A.....	1	See Note
36	@4 Valve, Solenoid, Model 30B.....	1	See Note
37	Washer, Lock.....	2	002917-400
38	Washer, Lock, Spring.....	1	643164-407
39	Washer, Diaphragm:		
	Steel - Standard.....	2	528848-001
R	Epoxy Coated Steel.....	2	528848-002
R	303 Stainless Steel - For Teflon Valve.....	2	528848-005
40	Washer, O-Ring:		
	Ductile Iron - Standard.....	1	528937-002
R	Epoxy Coated Ductile Iron.....	1	528937-003
R	Nickel Coated Ductile Iron - For Teflon Valve.....	1	508040-004

+ Recommended stock.

Order quantity required.

R Indicates change since last revision.

@1 See Form No. P1023.* for components.

@2 See Form No. P1019.* for components.

@3 Contact Smith Meter Inc. Sales Office for ordering instructions.

@4 See Form No. P1025.* for ordering instructions.

* The latest edition is indicated by a 2-digit postscript (e.g., .01, .02, etc.).

The specifications contained herein are subject to change without notice and any user of said specifications should verify from the manufacturer that the specifications are currently in effect. Otherwise, the manufacturer assumes no responsibility for the use of specifications which may have been changed and are no longer in effect.

Headquarters:

1803 Gears Road, Houston, TX 77067 USA, Phone: 281/260-2190, Fax: 281/260-2191

Gas Measurement Products:

Erie, PA USA Phone 814/898-5000

Thetford, England Phone (44) 1842-82-2900

Kongsberg, Norway Phone (47) 32/286-700

Buenos Aires, Argentina Phone 54 (11) 4312-4736

Integrated Measurement Systems:

Corpus Christi, TX USA Phone 361/289-3400

Kongsberg, Norway Phone (47) 32/286-700

San Juan, Puerto Rico Phone 787/274-3760

United Arab Emirates, Dubai Phone 971 +4/331-3646

Liquid Measurement Products:

Erie, PA USA Phone 814/898-5000

Los Angeles, CA USA Phone 661/702-8660

Slough, England Phone (44) 1753-57-1515

Ellerbek, Germany Phone (49) 4101-3040

Barcelona, Spain Phone (34) 93/201-0989

Moscow, Russia Phone (7) 495/564-8705

Melbourne, Australia Phone (61) 3/9807-2818

Beijing, China Phone (86) 10/6500-2251

Singapore Phone (65) 6861-3011

Chennai, India Phone (91) 44/450-4400

Visit our website at www.fmctechnologies.com