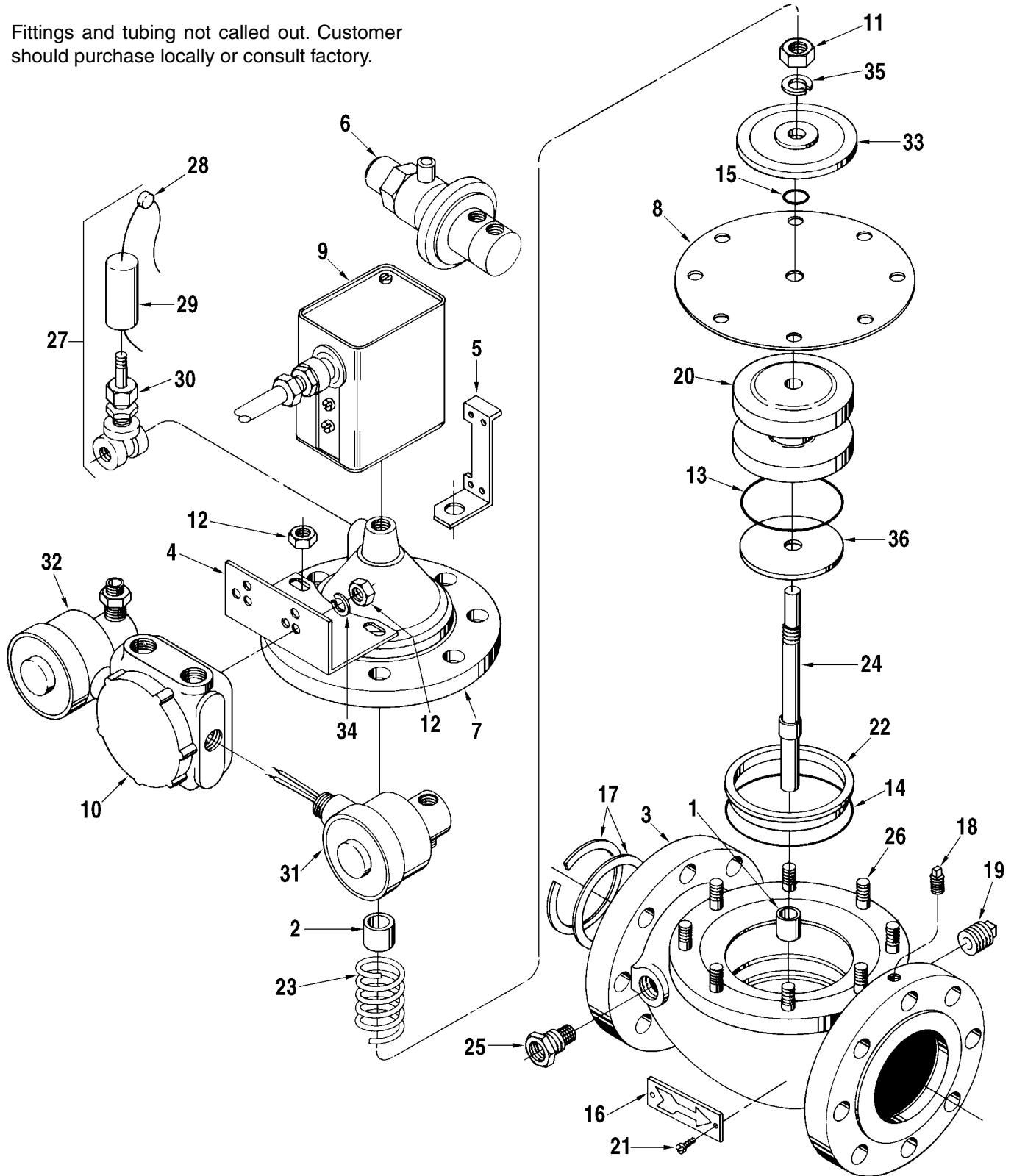


Fittings and tubing not called out. Customer should purchase locally or consult factory.



| Item | Description | Qty. | Part Number |
|------|---|------|-------------|
| 1 | Bearing: | | |
| | Standard | 1 | 524262-006 |
| | Teflon | 1 | 529675-003 |
| 2 | Bearing, Cover: | | |
| | Standard | 1 | 524262-005 |
| | Teflon | 1 | 529675-002 |
| 3 | Body: | | |
| | Cast Steel, Class 150 | 1 | 524108-001 |
| | Cast Steel, Class 300 | 1 | 523485-005 |
| 4 | Bracket, Junction Box/Solenoids | 1 | 528744-001 |
| 5 | Bracket, Pilot Support..... | 1 | 528743-001 |
| 6 | @1 Control, Rate of Flow, Model 40A..... | 1 | See Note |
| 7 | Cover: | | |
| | Standard, 150# | 1 | 507266-004 |
| | Standard, 300# | 1 | 507266-009 |
| | Epoxy Coated, 150# | 1 | 507266-034 |
| 8 | +R Diaphragm: | | |
| | Low Swell Buna | 1 | 507378-008 |
| | Viton..... | 1 | 507378-003 |
| | EPR | 1 | 507378-002 |
| | Gylon | 1 | 507378-007 |
| 9 | @2 Indicator, Position, Model 04A, with Self-Aligning | | |
| | Stem Assembly..... | 1 | See Note |
| 10 | Junction Box..... | 1 | 528495-001 |
| 11 | Nut, Stem, 3/8"-24..... | 1 | 643756-406 |
| 12 | Nut: | | |
| | Low Swell Buna Version..... | 10 | 642148-415 |
| | All Other Versions | 10 | 002876-400 |
| 13 | + O-Ring, Retainer: | | |
| | Low Swell Buna | 1 | 507560-008 |
| | Viton..... | 1 | 507560-004 |
| | EPR | 1 | 507560-003 |
| | Teflon | 1 | 507560-007 |
| 14 | + O-Ring, Seat: | | |
| | Buna-N..... | 1 | 640887-426 |
| | Viton..... | 1 | 640798-435 |
| | EPR | 1 | 641558-420 |
| | Teflon | 1 | 645487-408 |
| 15 | + O-Ring, Stem: | | |
| | Buna-N..... | 1 | 640887-404 |
| | Viton..... | 1 | 640798-002 |
| | EPR | 1 | 641558-404 |
| | Teflon | 1 | 645487-406 |
| 16 | Plate, Arrow..... | 1 | 508553-001 |
| 17 | @3 Plate, Orifice..... | 1 | See Note |
| 18 | Plug, Pipe, 1/8" NPT..... | # | 006073-002 |
| 19 | Plug, Pipe, 3/8" NPT..... | # | 003131-402 |
| 20 | Retainer, O-Ring: | | |
| | Teflon | 1 | 645487-406 |
| | All Other Versions | 1 | 507682-003 |
| 21 | Screw, 3/16" Drive | 2 | 640813-001 |
| 22 | Seat: | | |
| | Teflon Version..... | 1 | 507802-005 |
| | All Other Versions | 1 | 507802-004 |
| 23 | Spring..... | 1 | 507742-001 |
| 24 | Stem..... | 1 | 507848-001 |
| 25 | Strainer, Model 09SC | 1 | 528734-001 |

| Item | Description | Qty. | Part Number |
|------|--|------|-------------|
| 26 | Stud: | | |
| | Low Swell Buna Version..... | 6 | 643823-405 |
| | Low Swell Buna Version..... | 2 | 643823-406 |
| | All Other Versions | 8 | 006146-406 |
| 27 | Valve, Needle: | | |
| | 1/4" NPT | 1 | 643635-401 |
| | 3/8" NPT, Model 13..... | 1 | 527065-001 |
| 28 | Seal, Lead, and Wire, Model 13 Only..... | 1 | 001627-400 |
| 29 | Shell, Model 13 Only | 1 | 643706-401 |
| 30 | Valve, Model 13 Only..... | 1 | 643710-401 |
| 31 | @4 Valve, Solenoid, Model 30A..... | 1 | See Note |
| 32 | @4 Valve, Solenoid, Model 30B..... | 1 | See Note |
| 33 | Washer, Diaphragm: | | |
| | Teflon Version..... | 1 | 507979-010 |
| | All Other Versions | 1 | 507979-003 |
| 34 | Washer, Lock..... | 2 | 002917-400 |
| 35 | Washer, Lock Spring | 1 | 643164-402 |
| 36 | Washer, O-Ring: | | |
| | Teflon Version..... | 1 | 508022-010 |
| | All Other Versions | 1 | 508022-005 |

+ Recommended stock.

Order quantity required.

R Indicates change since last revision.

@1 See Form No. P1023.* for components.

@2 See Form No. P1019.* for components.

@3 Contact Smith Meter Inc. Sales Office for ordering instructions.

@4 See Form No. P1025.* for ordering instructions.

* The latest edition is indicated by a 2-digit postscript (e.g., .01, .02, etc.).

The specifications contained herein are subject to change without notice and any user of said specifications should verify from the manufacturer that the specifications are currently in effect. Otherwise, the manufacturer assumes no responsibility for the use of specifications which may have been changed and are no longer in effect.

Headquarters:

1803 Gears Road, Houston, TX 77067 USA, Phone: 281/260-2190, Fax: 281/260-2191

Gas Measurement Products:

Erie, PA USA Phone 814/898-5000

Thetford, England Phone (44) 1842-82-2900

Kongsberg, Norway Phone (47) 32/286-700

Buenos Aires, Argentina Phone 54 (11) 4312-4736

Integrated Measurement Systems:

Corpus Christi, TX USA Phone 361/289-3400

Kongsberg, Norway Phone (47) 32/286-700

San Juan, Puerto Rico Phone 787/274-3760

United Arab Emirates, Dubai Phone 971 +4/331-3646

Liquid Measurement Products:

Erie, PA USA Phone 814/898-5000

Los Angeles, CA USA Phone 661/702-8660

Slough, England Phone (44) 1753-57-1515

Ellerbek, Germany Phone (49) 4101-3040

Barcelona, Spain Phone (34) 93/201-0989

Moscow, Russia Phone (7) 495/564-8705

Melbourne, Australia Phone (61) 3/9807-2818

Beijing, China Phone (86) 10/6500-2251

Singapore Phone (65) 6861-3011

Chennai, India Phone (91) 44/450-4400

Visit our website at www.fmctechnologies.com