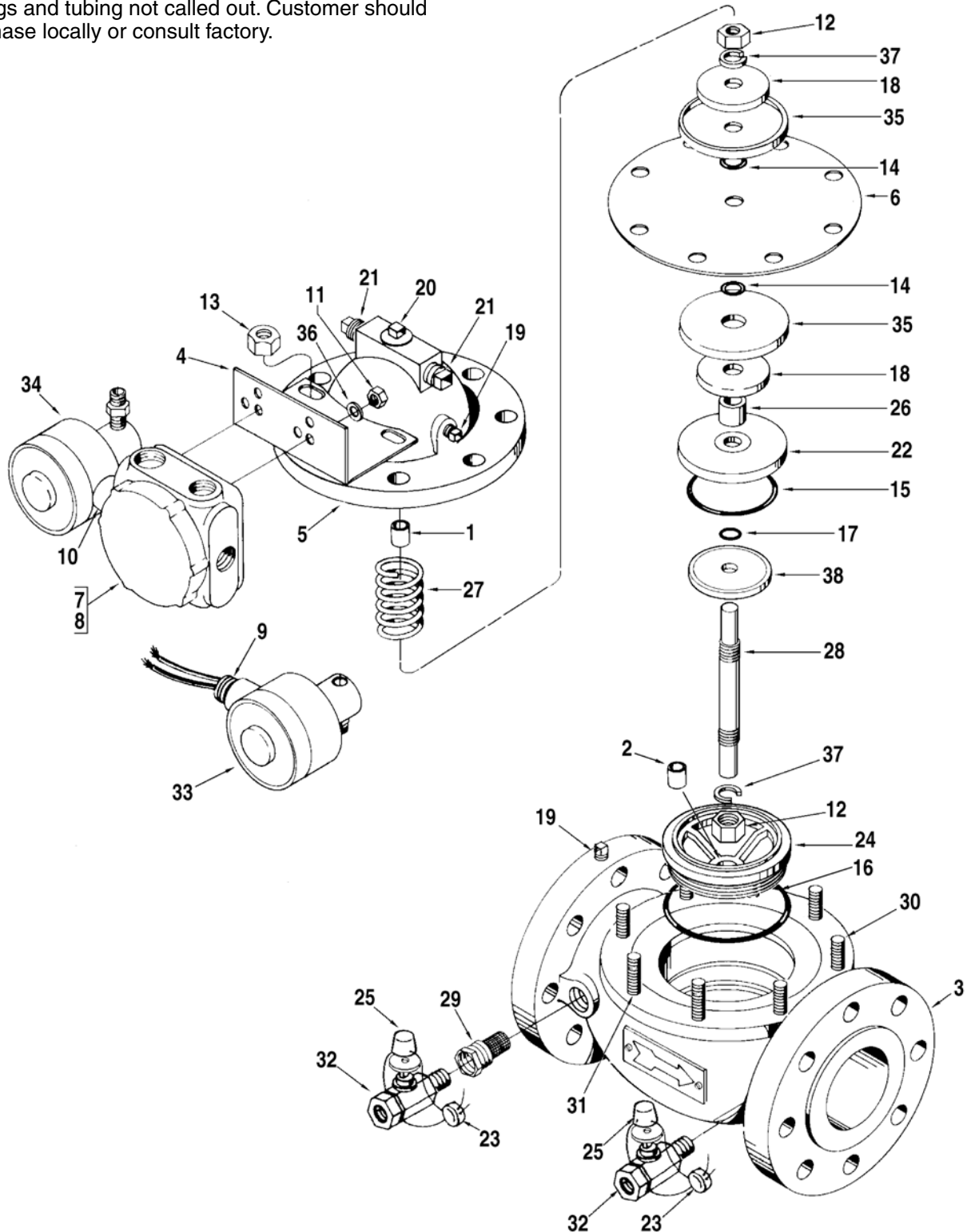


Fittings and tubing not called out. Customer should purchase locally or consult factory.



Item	Description	Qty.	Part Number
1	†Bearing, Cover, Ni-Resist.....	1	009971-400
2	†Bearing, Seat	1	529675-001
3	Body:		
	Steel, Class 150.....	1	529426-001
	Steel, Class 300.....	1	529426-002
4	Bracket:		
	Solenoids with Junction Box	1	528452-001
	Required with Option Pilots	1	528453-001
5	Cover Assembly	1	529425-091
6	+ Diaphragm:		
	Buna-N.....	1	507391-001
	Low Swell Buna	1	507391-008
	Viton.....	1	507391-002
7	Junction Box Kit.....	1	528496-002
8	Junction Box	1	528454-001
9	Nipple, 1/2" x 1-1/8".....	1	009630-400
10	Nipple, 1/2" x 2".....	1	642557-418
11	Nut, 5/16"-18, UNC-2B.....	2	002876-400
12	Nut, Stem, 1/2"-10, UNF-2B.....	2	640671-001
13	Nut, Stud, 7/16"-14, UNC-2B.....	8	006618-002
14	+ O-Ring, Diaphragm:		
	Buna-N.....	2	640887-008
	Viton.....	2	640798-414
15	+ O-Ring, Retainer:		
	Low Swell Buna	1	507568-008
	Viton.....	1	507568-003
16	+ O-Ring, Seat:		
	Buna-N.....	1	640887-423
	Viton.....	1	640798-436
17	+ O-Ring, Stem:		
	Buna-N.....	1	640913-003
	Viton.....	1	641276-403
18	Plate, Backup, Standard.....	1	529437-001
19	Plug, Pipe, 1/8" NPT.....	2	644522-401
20	Plug, Pipe, 1/2" NPT.....	3	006505-002
21	Plug, Pipe, 3/8" NPT.....	2	003131-402
22	Retainer, O-Ring, Ductile Iron	1	507692-003
23	Seal, Lead and Wire	2	001627-400
24	Seat:		
	Bronze	1	528432-002
	Ni-Resist	1	528432-003
	Stainless Steel	1	529500-001
25	Shell	2	643706-401
26	Spacer, Steel.....	1	529435-001
27	Spring.....	1	507756-001
28	Stem.....	1	529434-001
29	+ Strainer, Model 09SC	1	528341-002
30	Stud, Cover, 7/16 - 14 X 1 3/4	6	643823-403
31	Stud, Bracket, 7/16 - 14 x 2 1/4	2	643823-404
32	Valve, Needle, Model 13 (3/8" NPT).....	2	643710-401
33	@1 Valve, Solenoid, Model 30A N.C.....	1	See Note
34	@1 Valve, Solenoid, Model 30B N.O.....	1	See Note
35	Washer, Diaphragm, Stainless Steel.....	2	529436-001
36	Washer, Lock.....	2	002917-400
37	Washer, Lock Spring	2	002788-401
38	Washer, O-Ring, Ductile Iron.....	1	528914-001

Item	Description	Qty.	Part Number
+	Recommended stock.		
R	Indicates change since last revision.		
*	Not illustrated.		
@1	When ordering, the following information is required:		
	1. Electrical requirements.		
	2. Catalog number displayed on the nameplate of the solenoid,		
	or		
	3. Log number displayed on the nameplate of the valve body.		

† Bearing may need reaming once pressed into cover or seat.

Revisions included in P1035.06 Issue/Rev. 0.6 (10/11):
Total Revision.

The specifications contained herein are subject to change without notice and any user of said specifications should verify from the manufacturer that the specifications are currently in effect. Otherwise, the manufacturer assumes no responsibility for the use of specifications which may have been changed and are no longer in effect.

Contact information is subject to change. For the most current contact information, visit our website at www.fmctechnologies.com/measurementsolutions and click on the "Contact Us" link in the left-hand column.

Headquarters:

500 North Sam Houston Parkway West, Suite 100, Houston, TX 77067 USA, Phone: +1 (281) 260 2190, Fax: +1 (281) 260 2191

Measurement Products and Equipment:

Erie, PA USA +1 (814) 898 5000

Ellerbek, Germany +49 (4101) 3040

Barcelona, Spain +34 (93) 201 0989

Beijing, China +86 (10) 6500 2251

Buenos Aires, Argentina +54 (11) 4312 4736

Burnham, England +44 (1628) 603205

Dubai, United Arab Emirates +971 (4) 883 0303

Los Angeles, CA USA +1 (310) 328 1236

Melbourne, Australia +61 (3) 9807 2818

Moscow, Russia +7 (495) 5648705

Singapore, +65 6861 3011

Integrated Measurement Systems:

Corpus Christi, TX USA +1 (361) 289 3400

Kongsberg, Norway +47 (32) 286700

Dubai, United Arab Emirates +971 (4) 883 0303

Visit our website at www.fmctechnologies.com/measurementsolutions