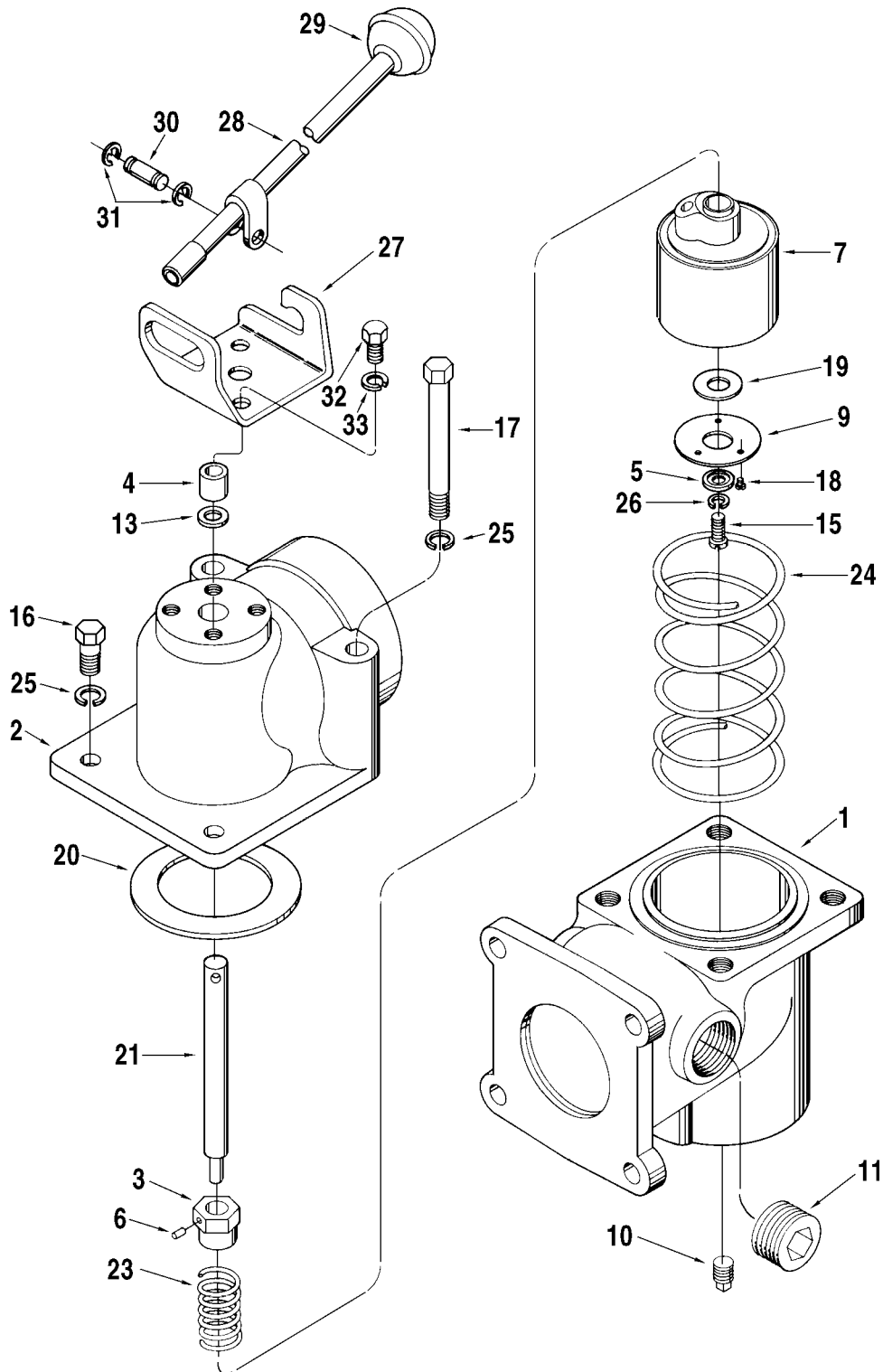
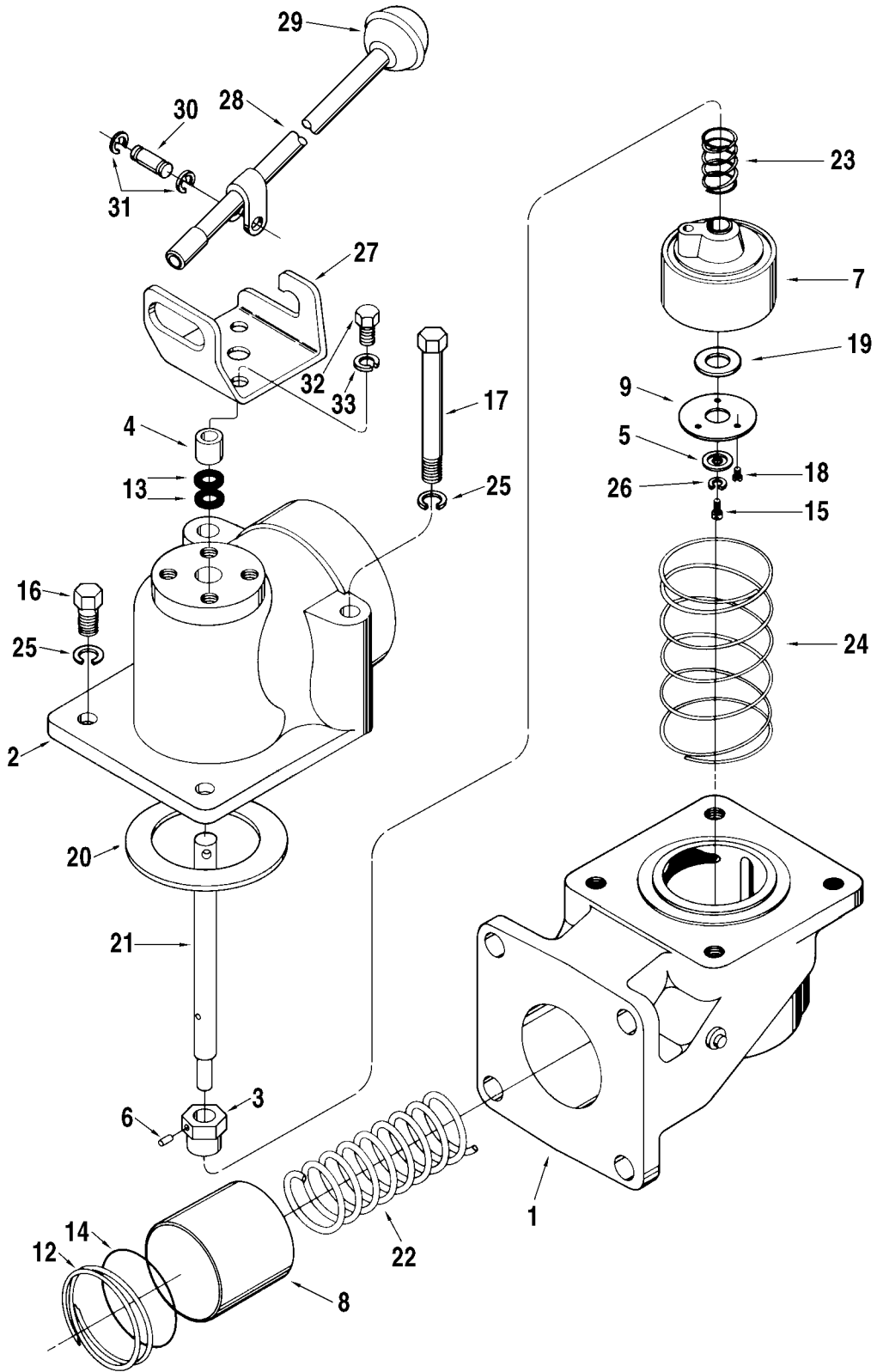


Model MPG-2



Model MP2-S



Item	Description	Qty.	MP-2S	MPG-2
1	Body, Inlet:			
	Standard.....	1	538710-001	534895-001
	High Viscosity (200 to 20,000 SSU).....	1	538710-002	534895-003
2	Body, Outlet:			
	NPT, Standard Seals.....	1	519419-001	519419-005
	NPT, Teflon Seals.....	1	519419-008
	BSP, Standard Seals.....	1	519419-007
	BSP, Teflon Seals.....	1	519419-009
3	Bushing, Guide.....	1	533474-001	533474-001
4	Bushing, Valve Stem:			
	Standard.....	1	012383-001	012383-001
	For Use with Teflon.....	1	536470-002
5	+ Disc, Pilot:			
	Standard.....	1	519425-001	519425-001
	For Use with Teflon.....	1	519425-002
6	Pin, Groove, 1/8 x 3/4".....	1	006127-002	006127-002
7	Piston:			
	Standard.....	1	519423-001	535180-002
R	High Viscosity (200 to 20,000 SSU).....	1	519423-002	535180-003
8	Piston, Back Pressure.....	1	538756-001
9	Plate, Retaining.....	1	519426-001	519426-001
10	Plug, Pipe 1/4" NPT.....	1	002407-402
11	Plug, Pipe 1/2" NPT.....	2	006105-002
12	Ring, Internal Retaining.....	1	644428-401
13	+ Ring, Quad:			
	Buna-N.....	1	011702-001	011702-001
	EPR.....	1	011702-002	011702-002
@1	Teflon O-Ring.....	2	645487-401
	Viton.....	1	011702-003	011702-003
14	+ Ring, Quad:			
	Buna-N.....	1	642335-401
	Viton.....	1	644427-403
	EPR.....	1	644430-401
15	Screw, #10-32 x 3/8".....	1	006045-002	006045-002
16	Screw, 3/8"-16 x 1".....	2	060248-002	060248-002
17	Screw, 3/8"-16 x 3-1/4".....	2	002086-400	002086-400
18	Screw, #4-40 x 3/16".....	3	015603-400	015603-400
19	+ Seat, Pilot:			
	Buna-N.....	1	519428-001	519428-001
	EPR.....	1	519428-003	519428-003
	Gylon (In Lieu of Teflon).....	1	536471-001
	Viton.....	1	519428-002	519428-002
20	+ Seat, Valve:			
	Buna-N.....	1	519427-001	535187-001
	EPR.....	1	519427-003	535187-003
	Gylon (In Lieu of Teflon).....	1	536472-001
	Viton.....	1	519427-002	535187-002
21	Shaft:			
	Standard.....	1	519433-001	519433-002
	For Use with Teflon.....	1	519433-003
22	Spring.....	1	539616-001
23	Spring.....	1	533085-001	533085-001
24	Spring.....	1	519431-001	535172-001
25	R Washer, 3/8" Lock.....	4	001111-400	001111-400
26	Washer, #10 Lock.....	1	642482-406	642482-406

Item		Description	Qty.	MP-2S	MPG-2
27	R	Bracket.....	1	012388-002	012388-002
28		Handle	1	070700-003	070700-002
29		Knob	1	006660-001	006660-001
30		Pin.....	1	533509-001	533509-001
31		Ring, 3/16" Retaining.....	2	064123-001	064123-001
32		Screw, 5/16"-18 x 1/2".....	3	004026-401	004026-401
33		Washer, 5/16" Lock.....	3	642482-407	642482-407

+ Recommended stock.

R Indicates change since last revision.

@1 Place O-Rings on shaft after it has been inserted in body.

The specifications contained herein are subject to change without notice and any user of said specifications should verify from the manufacturer that the specifications are currently in effect. Otherwise, the manufacturer assumes no responsibility for the use of specifications which may have been changed and are no longer in effect.

Headquarters:

1803 Gears Road, Houston, TX 77067 USA, Phone: 281/260-2190, Fax: 281/260-2191

Gas Measurement Products:

Erie, PA USA Phone 814/898-5000
Thetford, England Phone (44) 1842-82-2900
Kongsberg, Norway Phone (47) 32/286-700
Buenos Aires, Argentina Phone 54 (11) 4312-4736

Integrated Measurement Systems:

Corpus Christi, TX USA Phone 361/289-3400
Kongsberg, Norway Phone (47) 32/286-700
San Juan, Puerto Rico Phone 787/274-3760
United Arab Emirates, Dubai Phone 971 +4/331-3646

Liquid Measurement Products:

Erie, PA USA Phone 814/898-5000
Los Angeles, CA USA Phone 661/702-8660
Slough, England Phone (44) 1753-57-1515
Ellerbek, Germany Phone (49) 4101-3040
Barcelona, Spain Phone (34) 93/201-0989
Moscow, Russia Phone (7) 495/564-8705
Melbourne, Australia Phone (61) 3/9807-2818

Beijing, China Phone (86) 10/6500-2251
Singapore Phone (65) 6861-3011
Chennai, India Phone (91) 44/450-4400

Visit our website at www.fmctechnologies.com