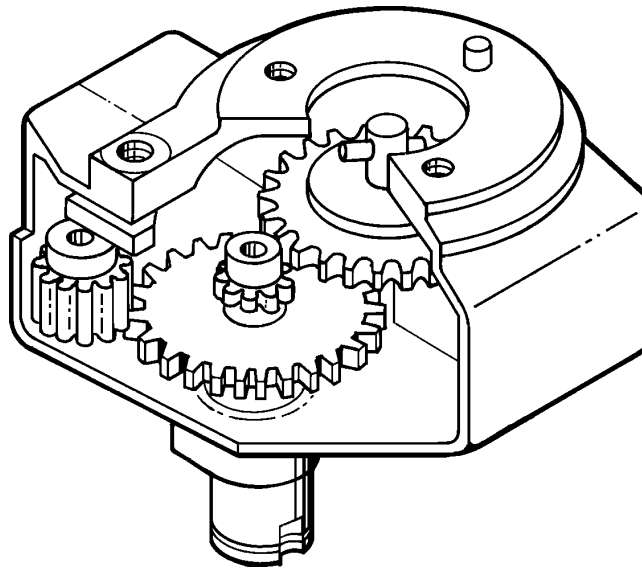


Note: The gear cluster assemblies listed below are for standard gear train options and will work on all high pressure (A3, S3, S5, S6, and S7) versions of each respective meter series shown. Gear cluster assemblies consist of jackshaft pinion, idler, and calibrator drive gears, and where applicable reversing pinion, along with all shafts, pins, washers, and jackshaft coupling, and are completely assembled in the gear housing ensuring correct and simple installation in the meter.



Ratio	Unit of Measurement	STD/LPG	Percent	C2 Series*	E3 & E4 Series*	F4 Series*	G6 Series*	H8 Series*
1:1	U.S. Gallons	STD	96%	552115-009
5:1	U.S. Gallons	STD	96%	552115-002	552116-003	552117-004	552118-003	552119-001
5:1	U.S. Gallons	STD	100%	552115-001	552116-001	552117-001	552118-002
5:1	U.S. Gallons	LPG	96%	552115-005	552116-004	552117-007	552118-012
5:1	U.S. Gallons	LPG	100%	552115-004	552116-005	552117-006	552118-005
1:1	Dekalitres	STD	96%	552115-006	552116-002
1:1	Dekalitres	STD	100%	552115-007	552116-007
1:1	Dekalitres	LPG	96%	552115-003	552116-006
1:1	Dekalitres	LPG	100%	552115-008	552116-008
5:1	Dekalitres	STD	96%	552117-005	552118-004
5:1	Dekalitres	STD	100%	552117-011	552118-009
5:1	Dekalitres	LPG	96%	552117-008	552118-011
5:1	Dekalitres	LPG	100%	552117-012	552118-010
1:1	Hectolitres	STD	96%	552119-004
1:1	Hectolitres	STD	100%	552119-006
1:1	Hectolitres	LPG	96%	552119-007
1:1	Hectolitres	LPG	100%	552119-009
1:1	Barrels	STD	96%	552117-002	552118-001	552119-003
1:1	Barrels	STD	100%	552117-003	552118-008	552119-001
1:1	Barrels	LPG	96%	552117-009	552118-007	552119-008
1:1	Barrels	LPG	100%	552117-010	552118-006	552119-002
5:1	Imp. Gallons	STD	96%	552115-010

*Not for use on low pressure (A1, S1, or V1) versions.

The specifications contained herein are subject to change without notice and any user of said specifications should verify from the manufacturer that the specifications are currently in effect. Otherwise, the manufacturer assumes no responsibility for the use of specifications which may have been changed and are no longer in effect.

Headquarters:

6677 North Gessner Road, Houston, TX 77040 USA, Phone: 713/510-6970, Fax: 713/510-6972

Locations:

Erie, PA USA Phone 814/898-5000, Fax 814/899-8927

Corpus Christi, TX USA Phone 361/289-3400, Fax 361/289-1115

Caldwell, TX USA Phone 713/510-6970, Fax 713/510-6972

Longmont, CO USA Phone 303/702-7400, Fax 303/702-1608

Los Angeles, CA USA Phone 661/296-7711, Fax 661/296-5166

Eunice, LA USA Phone 337/550-7133, Fax 337/550-7134

Thetford, England Phone (44) 1842-82-2900, Fax (44) 1842-76-5402

Slough, England Phone (44) 1753-57-1515, Fax (44) 1753-52-9966

Ellerbek, Germany Phone (49) 4101-3040, Fax (49) 4101-304133

Kongsberg, Norway Phone (47) 32/286-700, Fax (47) 32/289-590

Barcelona, Spain Phone (34) 93/201-0989, Fax (34) 93/201-0576

Moscow, Russia Phone (7) 095/564-8705, Fax (7) 095/926-5066

Singapore Phone (65) 869-0605, Fax (65) 861-2401

Beijing, China Phone (86) 10/6500-2251, Fax (86) 10/6512-6857

Chennai, India Phone (91) 44/496-0455, Fax (91) 44/496-0114

San Juan, Puerto Rico Phone 787/274-3760, Fax 787/274-1020

Caracas, Venezuela Phone (58) 212/952-8417, Fax (58) 212/952-5191

Visit our website at www.fmcmeasurementsolutions.com