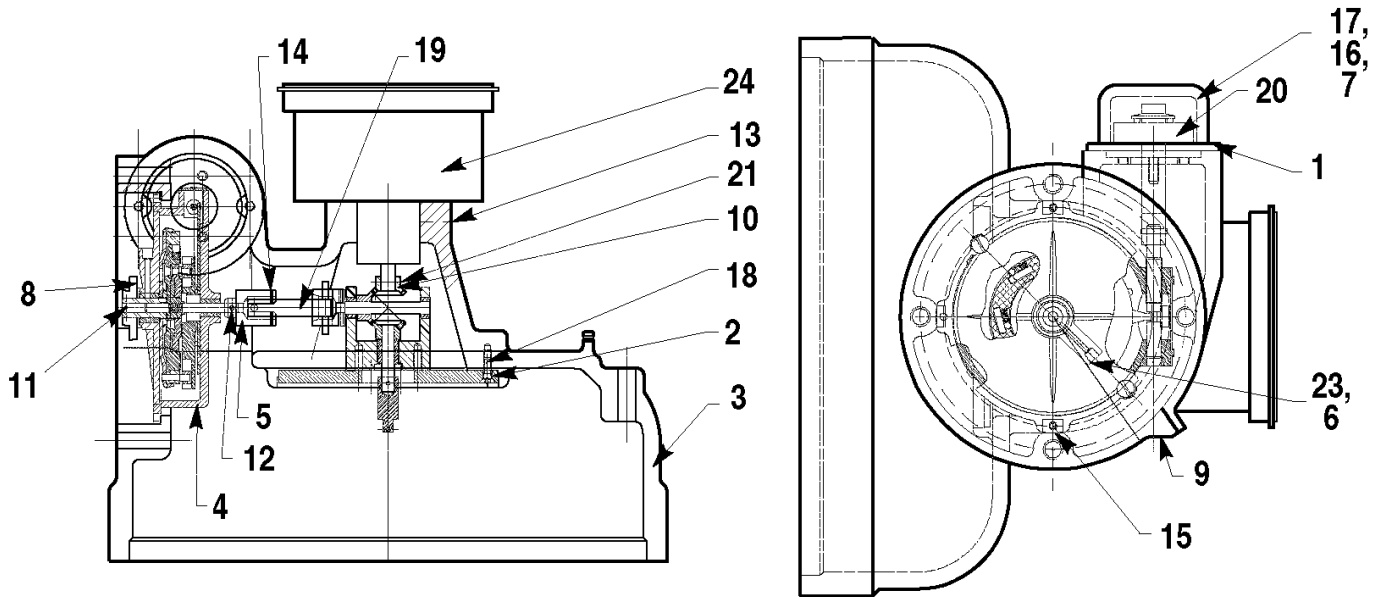
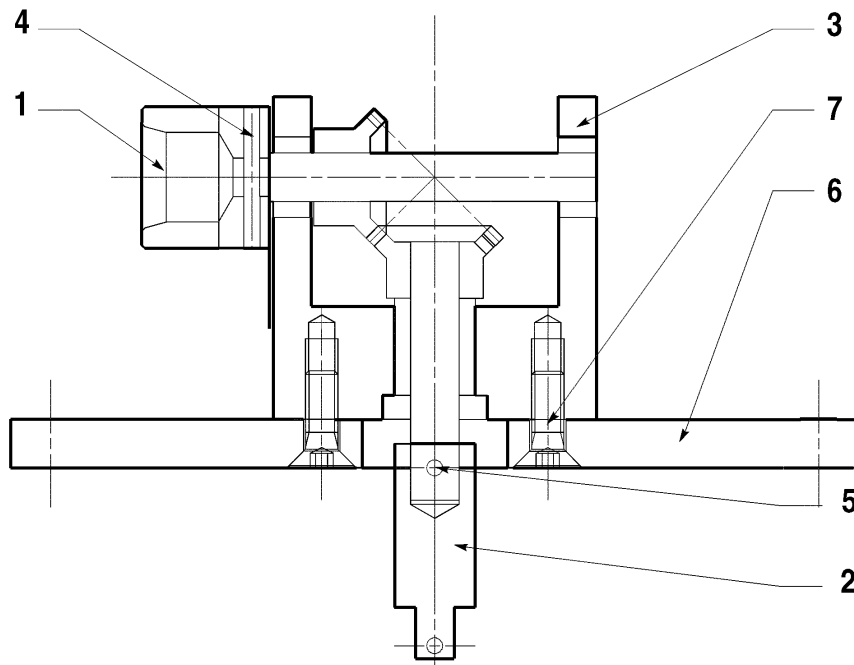


# Winkel Adapter Assembly



## Gear



Item	Description	Qty.	Part Number
1	Adapter, Angle.....	1	573981001
2	Arm, Locating.....	1	535287001
3	Bearing, Rotor.....	2	516110001
4	Bearing, Jackshaft.....	1	504666001
5	Blade, Lower.....	1	573276001
6	Blade, Upper.....	1	573275001
7	Block, Std. Clear.....	1	516999003
8	Bolt, Hex Socket Head 5/16-18 Unc-3A.....	1	643668404
9	Bracket, Kurtz.....	1	573282001
10	Bracket, Lang.....	1	753283001
11	Bushing.....	1	573862001
12	Cam.....	1	535320001
13	Cap, Adjusting Screw.....	1	573274001
14	Clamp, Roller.....	8	012502001
15	Collar, Thrust.....	1	573863001
16	Cover.....	1	573277001
17	Disc, Coupling.....	1	014356001
18	Dowel.....	1	001613001
19	Dowel, Locating Arm.....	1	512115001
20	Flange, Gland.....	1	010171001
21	Gasket, Cap.....	1	001951001
22	Gasket, Packing Gland.....	1	010173001
23	Gland, Packing.....	1	535160001
24	Gear, Calibrator Drive.....	1	514779001
25	Gear, Idler.....	1	512314001
26	Gear, Idler.....	1	516539001
27	Gear, Jackshaft.....	1	573263001
28	Housing.....	1	573278001
29	Key, Locating Arm.....	1	512715002
30	Key, Woodruff, 1/4 x 7/8" No. A.....	1	643487402
31	Meter.....	1	573271021
32	Nameplate.....	1	517407001
33	Nut/Hut.....	1	670035403
34	Nut/Sechskant.....	1	670044402
35	Nut/Sechskant.....	1	670044404
36	O-Ring.....	1	641471406
37	Pin, Collar.....	1	008121001
38	Pin, Cotter, 1/16 x 1/2".....	1	001095401
39	Pin, Cotter, 1/6 x 3/8".....	1	009825400
40	Pin, Groove Type E, 5/64 x 1/2".....	1	006053002
41	Plate, Arrow.....	1	508553001
42	Plate, Caution Calibrator.....	1	006571001
43	Plate, Caution "S" Line and H.P. Meters.....	1	006572001
44	Plate, Thrust Bearing.....	2	001111001
45	Plate, Rotor Gear.....	1	573262001
46	Plug, Pipe, 1/2" NPT.....	1	640820001
47	Retainer and Ball Assembly, Thrust.....	1	070360002
48	Ring, Retaining Ext.....	1	065303002
49	Ring, Retaining Int.....	1	643064402
50	Rotor, G Series Meter.....	1	008081002
51	Screw, Cap 5/8-11 x 2", UNC-2A, Hex HD.....	2	642061406
52	Screw, 1/4-20 x 3/4" Fillister HD Slot.....	6	642017406
53	Screw, 5/16-18 x 1 Filister HD Slot.....	8	643669402
54	Screw, 5/8-11 x 1-3/4" Hex HD.....	22	006156002
55	Screw, 5/16-18 x 3-3/4" Hex HD Drill.....	2	006422003
56	Screw, 1/4-20 x 1/4" Hex Sock HDLS Cup Point.....	1	006538001
57	Screw, 10-32 x 1/2" Flat HD Slot.....	2	006764002
58	Screw, Type U x 1/8".....	2	006869002
59	Screw, 5/16-18 x 7/8" Hex. Soc. HD.....	5	646125401
60	Screw, Type U x 1/8" Round HD Phil.....	8	009880400
61	Screw, .75-10 UNC-2A x 1.25 Hex Head.....	2	641068411

Item	Description	Qty.	Part Number
62	Screw, 1/2-13 x 1-1/4" Hex HD.....	2	643166403
63	Screw, 12 x 30 mm Hex .....	1	646148401
64	Seal, Lead and Wire.....	2	001627400
65	Shaft, Pinion.....	1	070139001
66	Shaft, ASG-100.....	1	575057003
67	Shaft, Welle.....	1	573272001
68	Spring, Rotor.....	1	003567002
69	Washer.....	1	014012200
70	Washer.....	1	536521001
71	Washer.....	1	670045402
72	Washer, Jack Shaft.....	1	001125001
73	Washer, Pinion.....	1	003599001

### Adapter

1	Adapter, Adjusting Stem (Calibrator).....	1	512372001
2	Adapter, Assembly Gear .....	1	573456002
3	Adapter, Winkel .....	1	573980001
4	Calibrator, Adjusting Mechanism.....	1	512059001
5	Calibrator/Coupling.....	1	573984001
6	Clamp, Tube.....	1	003905001
7	Cover, Knob.....	1	003553001
8	Coupling Drive.....	1	072103001
9	Cup .....	1	006588001
10	Gear .....	1	670868401
11	Pin, Groove, Type 1-1/16 x 5/8".....	1	006028002
12	Pin, Groove, Type E 5/64 x 5/8".....	1	009593400
13	Pin, Roll, 5/64 x 1/2".....	1	065430001
14	Ring, Snap.....	1	512066001
15	Screw, 6-32 x 5/16" Fill HD Slot .....	2	006048002
16	Screw, 10-24 x 3/4" Fill HD Slot Drill .....	2	006481003
17	Screw, 10-32 x 5/8" Fill HD Slot .....	2	008338400
18	Screw, Head.....	4	670652412
19	Shaft, Link .....	1	514757001
20	Stem, Adjusting .....	1	009838001
21	Straight Pin, Slotted, Spring Type .....	1	670869401
22	Threadpin, 5 x 16".....	1	670029416
23	Tube, Oil .....	1	514658001
24	Tachometer, Eddy Current.....	1	577048001

### Gear

1	Coupling Driver.....	1	512064001
2	Coupling, Gear .....	1	573983001
3	Block, Gearing.....	1	573453002
4	Pin, Groove, Type E 5/64 x 5/8".....	1	009593400
5	Pin, Roll, 5/64 x 1/2".....	1	065430001
6	Plate .....	1	573452002
7	Screw, Head .....	2	670652412

The specifications contained herein are subject to change without notice and any user of said specifications should verify from the manufacturer that the specifications are currently in effect. Otherwise, the manufacturer assumes no responsibility for the use of specifications which may have been changed and are no longer in effect.

#### Headquarters:

500 North Sam Houston Parkway West, Suite 100 Houston, TX 77067 USA, Phone: +1 (281) 260-2190, Fax: +1 (281) 260-2191

#### Gas Measurement Products:

Houston, TX USA +1 (281) 260-2190  
 Thetford, England +44 (1842) 82-2900  
 Kongsberg, Norway +47 (32) 286-700  
 Buenos Aires, Argentina +54 (11) 4312-4736

#### Liquid Measurement Products:

Erie, PA USA +1 (814) 898-5000  
 Los Angeles, CA USA +1 (310) 328-1236  
 Slough, England +44 (1753) 57-1515  
 Ellerbek, Germany +49 (4101) 304-0  
 Barcelona, Spain +34 (93) 201-0989  
 Moscow, Russia +7 (495) 564-8705  
 Melbourne, Australia +61(3) 9807-2818

Beijing, China +86 (10) 6500-2251  
 Singapore +65 6861-3011  
 Chennai, India +91 (44) 450-4400

#### Integrated Measurement Systems:

Corpus Christi, TX USA +1 (361) 289-3400  
 Kongsberg, Norway +47 (32) 286-700  
 San Juan, Puerto Rico +1809 (787) 274-3760  
 United Arab Emirates, Dubai +971 (4) 331-3646

Visit our website at [www.fmctechnologies.com/measurementsolutions](http://www.fmctechnologies.com/measurementsolutions)