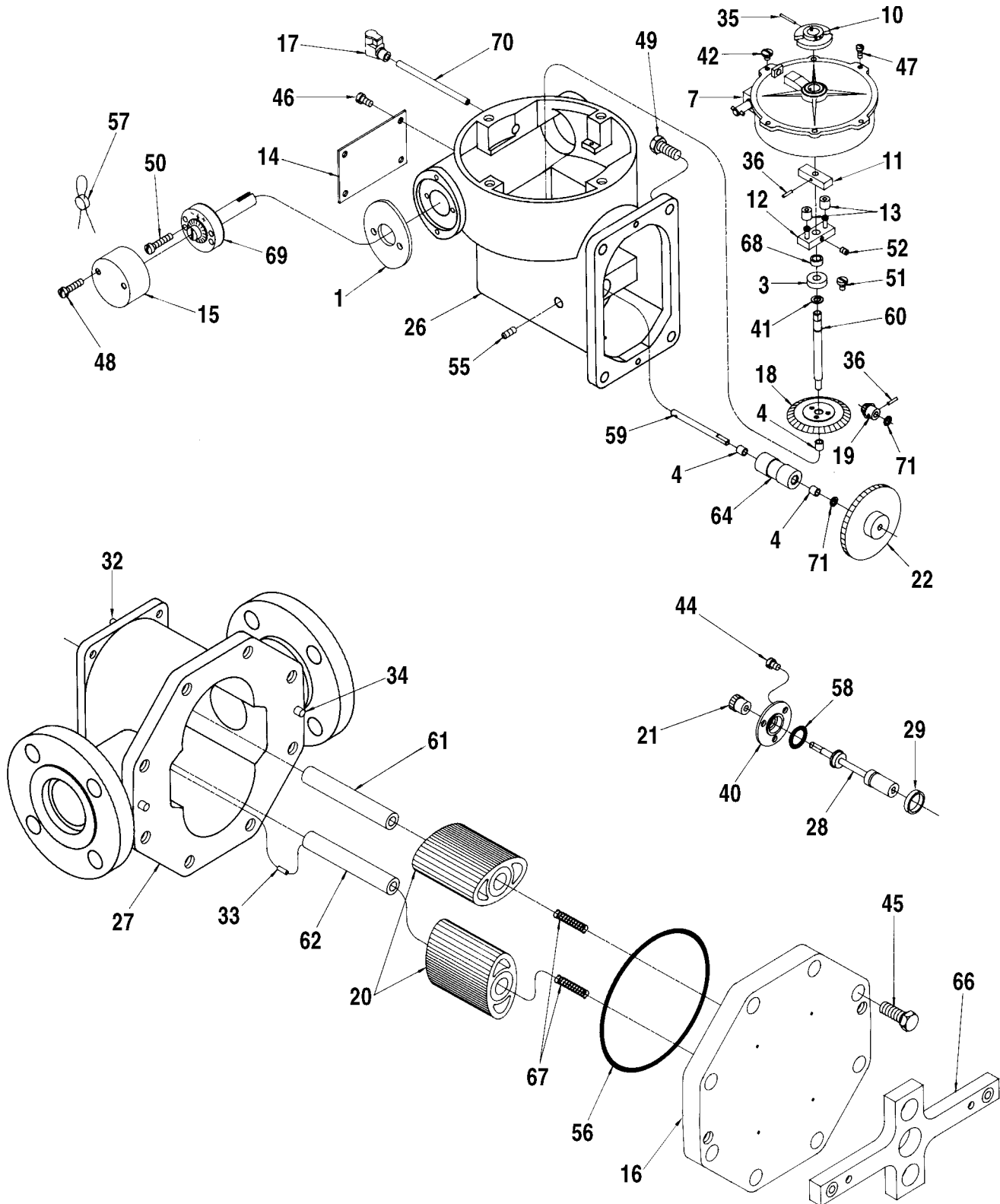
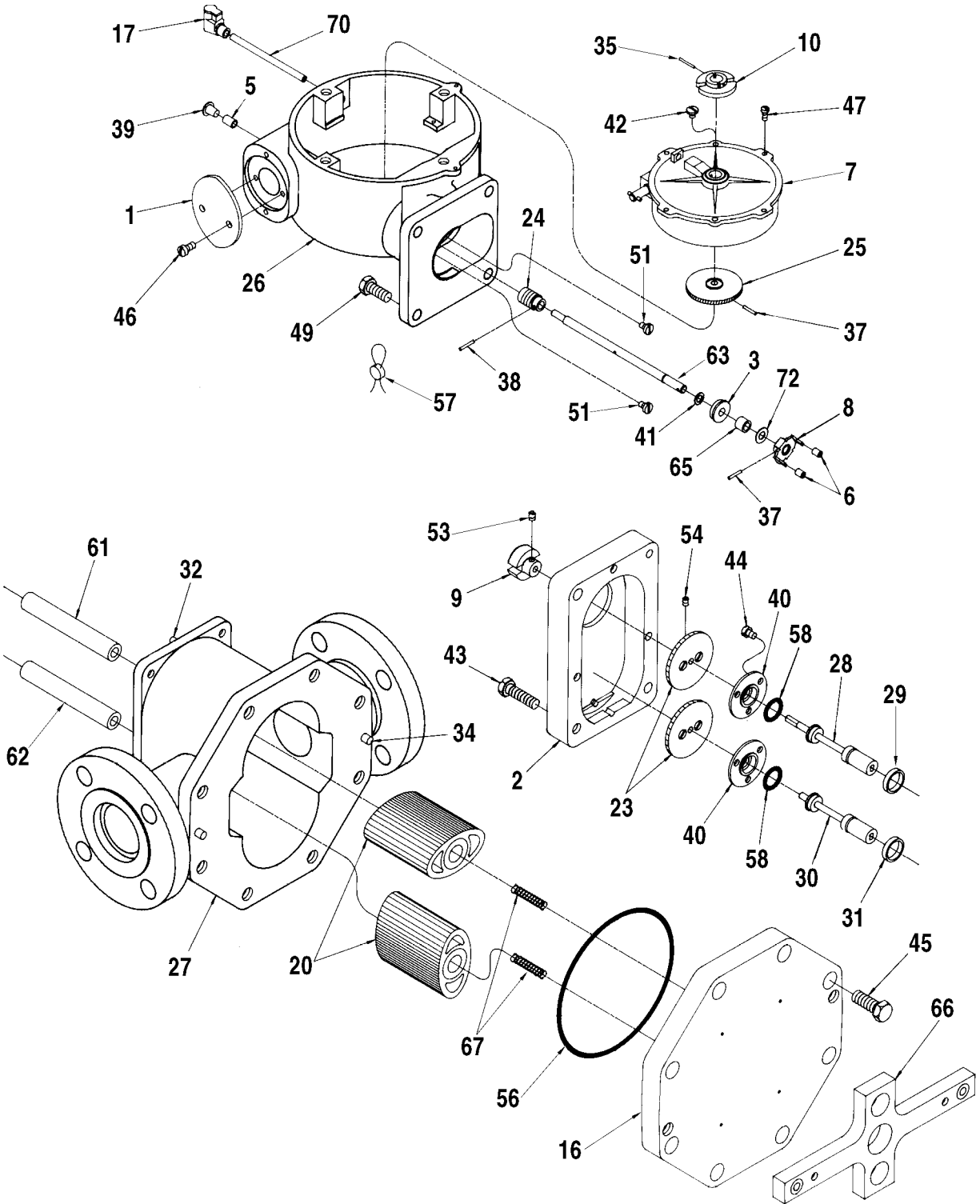


## Single Mag Drive



# Dual Mag Drive



Item	Description	Qty.	Single Mag Drive	Dual Mag Drive
1	Adapter .....	1	512372-001	512372-002
2	Adapter .....	1	.....	301591-201
3	+ Bearing, Ball .....	1	644531-403	644532-403
4	Bearing, Sleeve.....	3	644852-401	.....
5	Bearing, Sleeve.....	1	.....	644852-402
6	Bumper .....	2	.....	301562-201
7	+@1 Calibrator:			
	Manual .....	1	512059-001	512059-001
	With ATC (Standard API and Temp. Range).....	1	512060-001	519734-001
	@2 With ATC (Special API or Temp. Range) .....	1	516130	533926
	Dummy .....	1	516105-001	516105-001
8	Coupling.....	1	.....	511420-001
9	Coupling, Disc.....	1	.....	301592-201
10	+ Coupling, Drive .....	1	072103-001	072103-001
11	Coupling, Drive .....	1	301110-201	.....
12	Coupling, Fork .....	1	301083-201	.....
13	Bumper.....	2	301160-201	.....
14	Cover, Adapter .....	1	301046-201	.....
15	Cover, Knob .....	1	003553-001	.....
16	Cover, Meter .....	1	301019-201	301019-201
17	Cup, Oil.....	1	006588-001	006588-001
18	Gear, Bevel:			
	Standard.....	1	301164-101	.....
	High Temperature (Brass) .....	1	301669-101	.....
19	Gear, Bevel:			
	Standard.....	1	301044-201	.....
	High Temperature (Brass) .....	1	301670-201	.....
20	+@4 Gear Set, Stainless Steel with Carbon Bearings .....	1	301174-101	301174-102
21	Gear, Spur:			
	Standard.....	1	644530-401	.....
	High Temperature (Brass) .....	1	301337-201	.....
22	Gear, Spur:			
	Standard.....	1	644530-402	.....
	High Temperature (Brass) .....	1	301338-101	.....
23	Gear, Timing .....	2	.....	301594-101
24	Gear, Worm:			
	Standard.....	1	.....	301586-201
	Temperature Compensated (ATC).....	1	.....	301487-201
25	Gear, Worm:			
	Standard.....	1	.....	301587-201
	Temperature Compensated (ATC).....	1	.....	301488-201
26	Housing, Adapter:			
	Standard.....	1	301004-201	301401-201
	Temperature Compensated (ATC).....	1	301004-202	301401-201
27	Housing, Meter, 150#.....	1	301116-101	301116-103
28	Magnet Assembly, Primary .....	1	301115-101	301115-101
29	Spacer, Bearing.....	1	301060-201	301060-201
30	Magnet Assembly, Secondary .....	1	.....	301596-101
31	Spacer, Bearing.....	1	.....	301060-201
32	Pin, Dowel, 3/16 x 1/2".....	2	644528-401	644528-401
33	Pin, Dowel, 1/8" x 3/8" .....	1	644541-401	.....
34	Pin, Dowel, 1/4" x 1/2" .....	2	644529-401	644529-401
35	Pin, Groove, 1/16" X 5/8" .....	1	006028-002	006028-002
36	Pin, Groove, 5/64" x 3/8".....	2	006317-002	.....
37	Pin, Groove, 5/64" x 1/2".....	2	.....	006053-002
38	Pin, Roll:			
	Standard 5/64" x 9/16" .....	1	.....	640537-001
	Temperature Compensated (ATC) 5/64" x 5/16" ....	1	.....	065335-001
39	Plug.....	1	.....	644942-401
40	@3 Retainer, Bearing.....		(1) 301042-201	(2) 301042-202
41	+ Ring, Retaining .....	1	640958-402	640958-402
42	Screw, #8-32 x 3/16" Binder Hd. Slotted.....	2	006449-001	006449-001

Item	Description	Qty.	Single Mag Drive	Dual Mag Drive
43	Screw, 5/16-18 x 1-1/8" Hex Hd.....	2	.....	065352-405
44	Screw: 1/4-20 x 3/4" Fillister Hd. Slotted.....	2	642017-406	.....
	1/4-20 x 1/2" Fillister Hd. Slotted.....	4	.....	640695-001
45	Screw, 1/2-13 x 1-1/4" Hex Hd.....	8	643667-404	643667-404
46	@3 Screw, #10-32 x 3/8" Fillister Hd. Slotted.....	(4)	006045-003	(2) 006045-003
47	Screw, #6-32 x 5/16" Fillister Hd. Slotted.....	2	006048-002	006048-002
48	Screw, #10-24 x 3/4" Fillister Hd. Slotted.....	2	006481-003	.....
49	Screw: @3 5/16-18 x 3/4" Hex Hd. ....	(4)	065352-001	(3) 065352-001
	5/16-18 x 1-5/8" Hex Hd.....	1	.....	645237-401
50	Screw, #10-32 x 7/8" Fillister Hd. Slotted.....	2	640835-001	.....
51	Screw, #8-32 x 1/4" Pan Hd. Slotted.....	2	643173-405	643173-405
52	Screw, Set, #8-32 x 1/4" Hex Socket .....	1	641566-401	.....
53	Screw, Set, #10-32 x 1/4" Hex Socket .....	1	.....	009469-400
54	Screw, Set, #8-32 x 1/4" Hex Socket .....	4	.....	641566-401
55	Screw, Set, #10-32 x 1/2" Hex Socket .....	1	643381-401	.....
56	+ Seal, Cover: Buna-N.....	1	640888-030	640888-030
	Butyl.....	1	641565-430	641565-430
	EPR.....	1	641560-430	641560-430
	Teflon.....	1	644792-406	644792-406
	Viton.....	1	640894-430	640894-430
57	+ Seal, Lead, and Wire .....	1	001627-400	001627-400
58	+@3 Seal, Shaft: Buna-N.....	(1)	640888-003	(2) 640888-002
	Butyl.....	(1)	641565-403	(2) 641565-403
	EPR.....	(1)	641560-449	(2) 641560-449
	Teflon.....	(1)	644791-405	(2) 644791-405
	Viton.....	(1)	640894-408	(2) 640894-408
59	Shaft, Adapter Drive .....	1	301048-201	.....
60	Shaft, Calibrator Drive .....	1	301049-201	.....
61	Shaft, Primary.....	1	301040-201	301040-201
62	Shaft, Secondary.....	1	301113-201	301040-201
63	Shaft, Worm Gear.....	1	.....	301450-201
64	Sleeve, Bearing.....	1	301047-201	.....
65	Spacer .....	1	.....	644932-401
66	Spider .....	1	301732-101	301732-101
67	+ Spring .....	2	301133-201	301133-201
68	Standoff .....	1	644851-401	.....
69	+ Stem, Adjusting.....	1	009838-001	.....
70	Tube, Oil.....	1	514658-001	514658-001
71	Washer.....	2	644680-401	.....
72	Washer, Shim: .010" Thick.....	A/R	.....	006332-001
	.020" Thick.....	A/R	.....	006331-001
	.040" Thick.....	A/R	.....	009615-400

+ Recommended stock.

A/R As required.

@1 For component parts, refer to Form No. P0206.\*.

@2 When ordering, include temperature range and API table and gravity.

@3 Quantity required shown in parentheses next to part number.

For component parts to ATC, refer to Form No. P0207.\*.

\* The latest edition is indicated by a 2-digit postscript (e.g., .01, .02, etc.)



The specifications contained herein are subject to change without notice and any user of said specifications should verify from the manufacturer that the specifications are currently in effect. Otherwise, the manufacturer assumes no responsibility for the use of specifications which may have been changed and are no longer in effect.

---

**Headquarters:**

1803 Gears Road, Houston, TX 77067 USA, Phone: 281/260-2190, Fax: 281/260-2191

**Gas Measurement Products:**

**Erie, PA USA** Phone 814/898-5000

**Thetford, England** Phone (44) 1842-82-2900

**Kongsberg, Norway** Phone (47) 32/286-700

**Buenos Aires, Argentina** Phone 54 (11) 4312-4736

**Integrated Measurement Systems:**

**Corpus Christi, TX USA** Phone 361/289-3400

**Kongsberg, Norway** Phone (47) 32/286-700

**San Juan, Puerto Rico** Phone 787/274-3760

**United Arab Emirates, Dubai** Phone 971 +4/331-3646

**Liquid Measurement Products:**

**Erie, PA USA** Phone 814/898-5000

**Los Angeles, CA USA** Phone 661/702-8660

**Slough, England** Phone (44) 1753-57-1515

**Ellerbek, Germany** Phone (49) 4101-3040

**Barcelona, Spain** Phone (34) 93/201-0989

**Moscow, Russia** Phone (7) 495/564-8705

**Melbourne, Australia** Phone (61) 3/9807-2818

**Beijing, China** Phone (86) 10/6500-2251

**Singapore** Phone (65) 6861-3011

**Chennai, India** Phone (91) 44/450-4400

**Visit our website at [www.fmctechnologies.com](http://www.fmctechnologies.com)**

Printed in U.S.A. © 2/88 FMC Technologies Measurement Solutions, Inc. All rights reserved. P0516.02 Issue/Rev. 0.2 (2/88)