



Item	Description	Qty.	Part Number
1	Screw, #10-24 x 3/4" Fill Hd. Slot, Drilled .....	2	006481-003
2	+ Wire and Lead Seal .....	A/R	001627-400
3	Cover, Knob .....	1	003553-001
4	Screw, #10-32 x 7/8" Fill Hd. Slot.....	2	640835-001
5	Stem Adjusting.....	1	009838-001
6	Adapter, Calibrator Adjusting Stem.....	1	512372-001
7	Plug.....	1	644942-401
8	Sleeve, Bearing.....	1	644852-402
9	R@4 Cup, Gits Oiler .....	1	006588-002
10	Tube, Oil.....	1	514658-001
11	R@4 Housing, Adapter .....	1	301401-201
12	Screw, 5/16-18 x 3/4" Hex Hd., Drilled.....	A/R	006067-003
13	Pin, Groove, Type 1, 1/16" x 5/8" Long .....	1	006028-002
14	Coupling, Drive .....	1	072103-001
15	Screw, #8-32 x 3/16" Binder Hd. Slot.....	2	006449-001
16	Screw, #6-32 x 5/16" Fill Hd. Slot.....	2	006048-002
17	+@1 Calibrator:		
	Dummy.....	1	516105-001
	Manual .....	1	512059-001
	Temperature Corrected for ATC .....	1	519734-001
18	+@2 Shaft and Gear Kit:		
	Metal, 97.7% Gearing - For Use With Manual Calibrator (Replaces Plastic Gearing).....	1	650586-001
	Metal, 95.5% Gearing - For Use With ATC.....	1	650586-002
	Metal, 100% Gearing - For Use With Dummy Calibrator.....	1	650586-004
19	Pin, Groove, Type 1, 5/64" Diameter x 1/2" Long .....	1	006053-002
20	Screw, #8-32 x 1/4" Pan Hd. Slotted .....	2	643173-405
21	Screw, #10-32 x 3/16" Hex Socket Hdls. Flat Point.....	A/R	009649-400
22	Coupling.....	1	301422-201
23	Adapter .....	1	301402-201
24	Retainer:		
	Standard.....	A/R	301416-201
	Teflon.....	A/R	301416-202
25	+ O-Ring, Retainer:		
	Buna.....	A/R	640913-004
	Viton .....	A/R	641276-404
	Teflon.....	A/R	645131-401
26	Bushing.....	2	301726-201
27	+ O-Ring, Viton .....	1	641276-416
28	Magnet, Assembly, Single Drive .....	1	301078-101
29	Housing:		
	Single Drive, Standard .....	1	301410-201
	Single Drive, Teflon.....	1	301410-205
30	Pin, Dowel.....	2	644936-402
31	Shaft, Primary .....	A/R	301415-201
32	Shaft, Secondary .....	1	301412-201
33	+ Gear Set, Single Drive:		
	Tefzel.....	1	301423-102
	Stainless Steel With Ni-Resist Bearings.....	1	301579-103
	High Viscosity Stainless Steel With Carbon Ryton Bearings .....	1	301538-103
34	Adapter, Dual Drive.....	1	301564-201
35	Screw, 5/16-18 x 1-1/2" Hex Head, Drilled .....	1	642043-432
36	Screw, 5/16-18 x 1-1/8" Hex Head.....	3	009546-400
37	Gear, Timing .....	2	301563-201
38	Magnet Assembly, Dual Drive, Primary .....	1	301565-101
39	Magnet Assembly, Dual Drive, Secondary.....	1	301566-101

Item	Description	Qty.	Part Number
40	Pin, Dowel, 3/16" Diameter x 1/2" Long.....	2	644528-401
41	Housing:		
	Dual Drive, Standard.....	1	301410-202
	Dual Drive, Teflon.....	1	310410-204
42 +	Gear Set, Dual Drive:		
	Tefzel.....	1	301423-105
	Stainless Steel With Carbon Ryton Bearings.....	1	301579-102
	Stainless Steel With Ni-Resist Bearings.....	1	301579-104
43	Spring.....	2	301133-201
44	Pin, Dowel, .250" Diameter.....	2	301585-201
45 +@3	O-Ring, Cover:		
	Buna.....	1	640888-020
	Viton.....	1	640894-454
	Teflon.....	1	645131-402
46	Cover:		
	Standard.....	1	301453-201
	Teflon.....	1	301453-202
47	Screw, 1/2-13 x 1-3/8" Long.....	8	644972-401
48	Spider.....	A/R	301728-101
49 R@4	Plug, Pipe Hex Head, 1/4 NPT.....	1	002407-402
50 R+	Gasket.....	1	002536-002
51 R+	Gasket.....	1	301806-201
52 R	Nameplate.....	1	301459-201

+ Recommended stock.

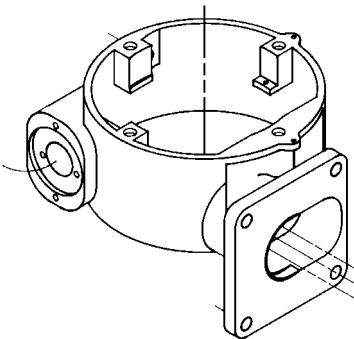
A/R As required.

@1 See Form No. P0206.\* and P207.\* for calibrator and ATC components.

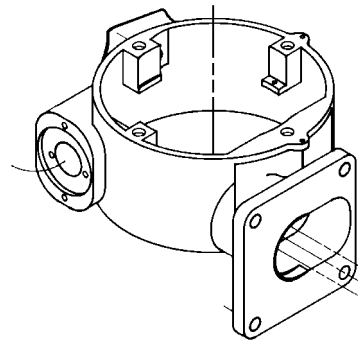
@2 Component parts of this kit not available as separate pieces.

@3 Cover O-Ring should be replaced each time cover is removed.

R@4 In September 1993 a design change was made to the adapter housing (item #11). The new housing now uses a gits oiler cup (item #9) as well as a pipe plug (item #49). If a new gits oiler (item #9) is required for a previous design adapter housing (item #11), a new adapter housing (item #11) and a pipe plug (item #49) must also be purchased.



**Previous Design**



**Current Design**

The specifications contained herein are subject to change without notice and any user of said specifications should verify from the manufacturer that the specifications are currently in effect. Otherwise, the manufacturer assumes no responsibility for the use of specifications which may have been changed and are no longer in effect.

---

**Headquarters:**

1803 Gears Road, Houston, TX 77067 USA, Phone: 281/260-2190, Fax: 281/260-2191

**Gas Measurement Products:**

**Erie, PA USA** Phone 814/898-5000

**Thetford, England** Phone (44) 1842-82-2900

**Kongsberg, Norway** Phone (47) 32/286-700

**Buenos Aires, Argentina** Phone 54 (11) 4312-4736

**Integrated Measurement Systems:**

**Corpus Christi, TX USA** Phone 361/289-3400

**Kongsberg, Norway** Phone (47) 32/286-700

**San Juan, Puerto Rico** Phone 787/274-3760

**United Arab Emirates, Dubai** Phone 971 +4/331-3646

**Liquid Measurement Products:**

**Erie, PA USA** Phone 814/898-5000

**Los Angeles, CA USA** Phone 661/702-8660

**Slough, England** Phone (44) 1753-57-1515

**Ellerbek, Germany** Phone (49) 4101-3040

**Barcelona, Spain** Phone (34) 93/201-0989

**Moscow, Russia** Phone (7) 495/564-8705

**Melbourne, Australia** Phone (61) 3/9807-2818

**Beijing, China** Phone (86) 10/6500-2251

**Singapore** Phone (65) 6861-3011

**Chennai, India** Phone (91) 44/450-4400

**Visit our website at [www.fmctechnologies.com](http://www.fmctechnologies.com)**