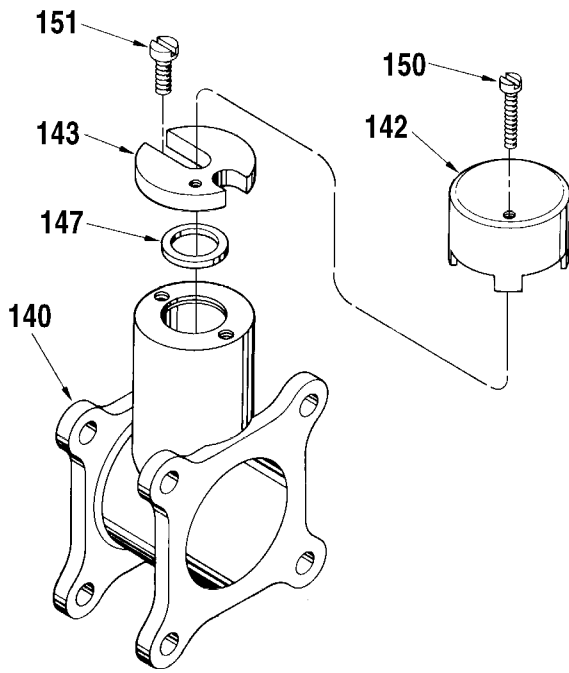
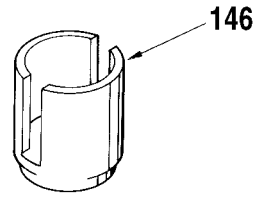
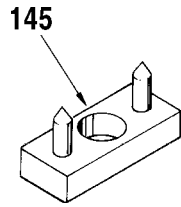
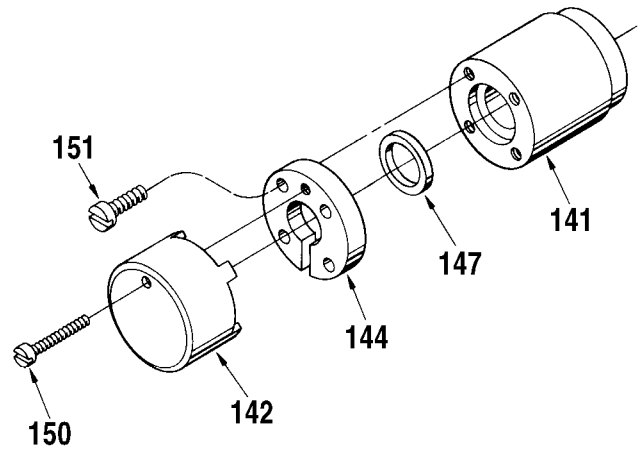


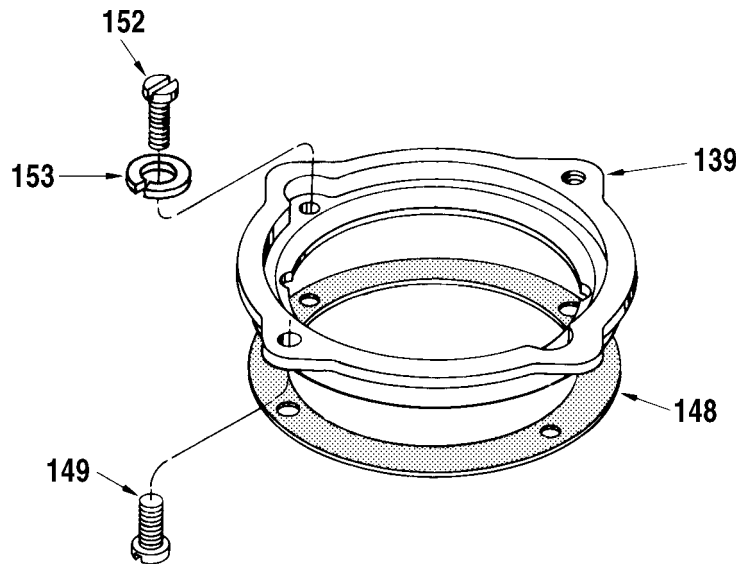
## Related Parts



External



Internal



Item	Description	Qty.	Part Number
1	@1* Adapter, Dome, ATG to Meter .....	1	See Note 1
2	+ Ball, Stainless Steel 3/32" Diameter.....	12	643078-401
3	Bar, Guide .....	2	516937-001
4	Pin, Dowel 3/32 x 3/16".....	2	640945-402
5	Pin, Groove 1/16 x 3/8" .....	2	643193-401
6	@2 Base Assembly.....	1	516724-001
7	Screw, #6-32 x 3/4" Round Hd. Slot.....	2	060110-002
8	@3 Bellows, Compensating.....	1	See Note 3
9	Housing, Inner .....	1	516683-001
10	Housing, Outer.....	1	516915-001
11	Retainer, Bellows .....	1	516913-001
12	Ring, Guide.....	1	516907-001
13	Spring .....	1	516916-001
14	Block Assembly, Gravity Selector:		
	Standard .....	1	516998-001
	LPG.....	1	516998-002
15	Block .....	1	505660-001
16	Block, Calibrating Pivot .....	1	511647-001
17	Block, Pivot.....	1	505970-001
18	Dial Assembly, Gravity Selector:		
	Standard .....	1	517090-001
	LPG .....	1	517090-002
19	Dial:		
	Standard.....	1	550025-001
	LPG .....	1	533084-001
20	Hub .....	1	516680-001
21	Ring, Retaining .....	1	006587-400
22	Screw, #4-40 x 1/8" Hex Sock Hd. ....	1	065063-001
23	Washer, Spring .....	2	060319-004
24	Washer, Flat 1/2 x 21/64 x .010" .....	1	060324-001
25	Gear and Shaft, Dial Drive .....	1	506094-001
26	Guide, Rack and Pivot.....	1	506095-001
27	Indicator, Dial .....	1	505974-001
28	Lever, Gravity Selector .....	1	506096-001
29	Pin, Lever End.....	1	505963-001
30	Plunger and Ring .....	1	506097-001
31	Ring, Retaining 1/8" .....	2	640386-003
32	Ring, Retaining 5/32" .....	2	640386-004
33	Ring, Retaining 5/16" .....	1	009550-400
34	Screw and Knob, Gravity Select.....	1	506092-001
35	Screw #3-48 x 3/16" Round Hd. Slot.....	2	065016-001
36	Spring, Dial Shaft .....	1	506001-001
37	Washer, Gravity Adjusting Shaft.....	2	505991-001
38	Washer, Gravity Lever .....	1	644881-401
39	+@3 Bulb and Bellows Assembly .....	1	See Note 3
40	Bushing .....	2	002182-001
41	Bushing, Oilite .....	1	060566-001
42	Clamp, Housing .....	2	506450-001
43	Clamp, Half.....	2	506454-002
44	Coupling, Disc Drive.....	1	511685-001
45	Coupling, Drive.....	1	072103-001
46	Cover.....	1	506160-001
47	Cover, Access Opening.....	1	511649-001
48	Cover, Adjusting Screw .....	1	003553-001
49	Cover, Drive Disc.....	1	516704-001
50	Cover, Gravity Selector.....	1	511034-001
51	Cover, Gravity Selector Knob .....	2	505994-001

Item	Description	Qty.	Part Number
52	Cover, Window with Chain.....	1	506098-001
53	+@4 Disc, Drive.....	1	516997-001
54	+@4 Disc, Thrust.....	1	516994-001
55	Gasket.....	1	511037-001
56	Gasket, Cover.....	2	506320-001
57	Gasket, Window.....	1	505996-001
58	Gasket, Access Opening.....	1	511650-001
59	Gasket, Gravity Selector Cover.....	1	511036-001
60	@4 Gear, Disc:		
	Standard Trim 30t.....	1	511693-001
	LPG Trim 19t.....	1	533083-001
61	@4 Gear, Planet 12t.....	4	506087-001
62	@4 Gear, Drive:		
	Single Case Meters with 96% Gearing:		
	Standard Trim 62t.....	1	511687-001
	LPG Trim 73t.....	1	533080-001
	Double Case Meters with 96% Gearing:		
	Standard Trim 62t.....	1	511689-001
	LPG Trim 73t.....	1	533229-001
	Single Case Meters with 100% Gearing:		
	Standard Trim 61t.....	1	518311-001
	LPG Trim 73t.....	1	533080-001
	Double Case Meters with 100% Gearing:		
	Standard Trim 61t.....	1	519134-001
	LPG Trim 73t.....	1	533229-001
63	@4 Gear, Main Drive:		
	96% Gearing:		
	Standard Trim 27t.....	1	506083-001
	LPG Trim 28t.....	1	533285-001
	100% Gearing:		
	Standard Trim 27t.....	1	506083-001
	LPG Trim 28t.....	1	533292-001
64	@4 Gear, Main Idler:		
	96% Gearing:		
	Standard Trim 27/44t.....	1	506084-001
	LPG Trim 27/43t.....	1	533287-001
	100% Gearing:		
	Standard Trim 27/45t.....	1	518306-001
	LPG Trim 27/44t.....	1	506084-001
65	Bushing.....	2	002182-001
66	@4 Gear Assembly, Worm.....	1	516726-001
67	+ Bearing.....	2	641861-401
68	Gear, Ring Drive.....	1	516757-001
69	Gear, Worm.....	1	511660-001
70	Pin, Roll 5/64 x 3/8".....	1	065336-001
71	Pin, Roll 5/64 x 1/2".....	4	065430-001
72	Shaft, Worm Gear.....	1	516755-001
73	@4 Gear and Planetary Carrier Less Planet Gear:		
	96% Gearing:		
	Standard and LPG Trim 44t.....	1	506085-001
	100% Gearing:		
	Standard and LPG Trim 45t.....	1	518309-001
74	Bushing.....	2	002182-001
75	@4 Gear, Sun Pinion and Ring.....	1	516721-001
76	+ Bearing.....	2	641861-403
77	Collar, Spacing.....	1	516723-001
78	Gear, Ring.....	1	516719-001

Item	Description	Qty.	Part Number
79	Gear, Pinion with Hub 24t .....	1	517782-001
80	Guide .....	1	516910-001
81	Housing, ATG Compensator .....	1	516679-001
82	Housing, Spring .....	1	505967-001
83	Housing, Temperature Compensator .....	1	517005-001
84	Nut, Calibrating .....	1	505975-001
85	Pin, Detent Plunger .....	1	010858-001
86	Pin, Dowel .....	2	002587-400
87	Pin, Groove 1/16 x 5/8" .....	1	006028-002
88	Retainer, Ball .....	1	511678-001
89	Ring, Grip 3/16" .....	2	640386-001
90	Ring, Retainer .....	1	640968-401
91	Ring, Retaining 5/16" .....	1	064134-001
92	Ring, Retaining 3/8" .....	1	006043-400
93	Ring, Retaining 1/2" .....	1	065102-001
94	Ring, Retaining 5/8" .....	1	640822-003
95	Screen, Vent .....	1	516753-001
96	Screw, Adjusting .....	1	009327-001
97	Screw, #4-40 x 1/4" Round Hd. Slotted .....	2	006012-002
98	Screw, #4-40 x 5/16" Fill Hd. Slotted .....	5	640646-001
99	Screw, #8-32 x 1/4" Fill Hd. Slotted .....	2	009942-400
100	Screw, #8-32 x 3/8" Fill Hd. Slotted .....	3	006293-002
101	Screw, #8-32 x 3/8" Fill Hd. Slotted Drilled .....	3	006293-003
102	Screw, #8-32 x 1/2" Fill Hd. Slotted .....	2	006083-002
103	Screw, #10-32 x 1/2" Fill Hd. Slotted .....	9	015170-400
104	Screw, #10-32 x 1/2" Fill Hd. Slotted Drilled .....	1	015169-400
105	Screw, #10-32 x 1/2" Hex Hd. Drilled .....	2	642038-407
106	Screw, #10-32 x 5/8" Fill Hd. Slotted .....	3	008338-400
107	Screw, #10-32 x 1-1/8" Fill Hd. Slotted Drilled .....	2	006729-003
108	Screw, #10-32 x 1-3/4" Fill Hd. Slotted .....	2	640953-404
109	Seal, Lead and Wire .....	4	001627-400
110	@5 Seal, Dust .....	1	641860-401
111	Shaft, Idler Gear .....	1	505959-001
112	Shaft, Main Drive .....	1	505957-001
113	+ Shaft Assembly, Roller .....	1	516935-001
114	@5 Bearing .....	2	641861-402
115	Bearing, Thrust .....	1	641922-401
116	Gear, Worm .....	1	511697-001
117	R Pin, Roll .....	1	065335-001
118	Ring, Retaining .....	2	006067-400
119	Roller .....	1	516936-001
120	Shaft .....	1	516939-001
121	Spring .....	1	516942-001
122	Sleeve, Roller Support .....	1	511667-001
123	Spring, Detent Pin .....	1	003557-001
124	Spring, Linkage Pin .....	1	505985-001
125	Spring, Plunger .....	1	003580-001
126	Spring, Roller Support .....	1	511652-001
127	Support, Roller Shaft .....	1	517218-001
128	Swivel, Tie Assembly .....	1	516754-001
129	Pin, Roll 1/16 x 1/4" .....	1	640089-002
130	Ring, Retaining .....	1	065234-001
131	Tube, Detent .....	1	010857-001
132	Washer, Flat .198 x 1/2 x .010" .....	5	641985-401
133	Washer, Flat .337 x 3/4 x .064" .....	1	005248-400

Item	Description	Qty.	Part Number
134	Washer, Brass:		
	.316 x 7/16 x .035" .....	A/R	515941-001
	.316 x 7/16 x .017" .....	A/R	515941-002
	.316 x 7/16 x .010" .....	A/R	515941-003
135	Washer, Spacer .....	1	010466-001
136	@6 Wick, Oil .....	1	511044-001
137	Window, Dial.....	1	505995-001
138	Yoke.....	1	517425-001
<b>Related Parts</b>			
139	Adapter, Counter .....	1	506201-001
140	Body, External:		
	T-10, T-11 (Illustrated) .....	1	515120-001
	T-15, T-20 .....	1	515121-001
141	Body, Internal .....	1	504078-001
142	Cover .....	1	514522-001
143	Collar, External.....	1	514521-001
144	Collar, Internal .....	1	012001-001
145	Coupling, Assembly, Drive.....	1	506407-001
146	Coupling, Top.....	1	515554-001
147	Gasket .....	1	060341-001
148	Gasket, Adapter Counter.....	1	002536-001
149	Screw, 3/8-16 x 1-1/4" .....	2	642048-420
150	Screw, #10-32 x 1-5/8" Fill Hd. Slotted .....	1	006479-002
151	Screw, 5/16-18 x 3/4" Hex Sock Hd.:		
	Internal.....	4	006409-002
	External.....	2	006409-002
152	Screw, 3/8-16 x 3/4" Fill Hd. Slotted .....	2	006718-002
153	Washer, Lock.....	2	005791-400

+ Recommended spares.

\* Not illustrated.

A/R As required.

R Indicates change since last revision.

@1 Note 1: Refer to Form No. P0602.\*\* for part number.

@2 Note 2: Includes bearing support and screws. Base assembly requires drilling for Item 86, Dowel Pin (Part No. 002587-400). After aligning and securing top support bearing, drill .126" ±.0005" diameter by .325" deep hole and install dowel pin.

@3 Note 3: Refer to Form No. P0208.\*\* for part number.

@4 Note 4: Apply a thin coat of grease, P/N 005743-600 to all gears, thrust disc, and drive disc.

@5 Note 5: Apply Loctite Sealant P/N 537525-001 when assembling.

@6 Note 6: Soak wick in Lubrication Oil P/N 650561-001 before assembling.

\*\* The latest edition is indicated by a 2-digit postscript (e.g., .01, .02, etc.).

The specifications contained herein are subject to change without notice and any user of said specifications should verify from the manufacturer that the specifications are currently in effect. Otherwise, the manufacturer assumes no responsibility for the use of specifications which may have been changed and are no longer in effect.

Contact information is subject to change. For the most current contact information, visit our website at [www.fmctechnologies.com/measurementsolutions](http://www.fmctechnologies.com/measurementsolutions) and click on the "Contact Us" link in the left-hand column.

---

**Headquarters:**

500 North Sam Houston Parkway West, Suite 100, Houston, TX 77067 USA, Phone: +1 (281) 260 2190, Fax: +1 (281) 260 2191

**Gas Measurement Products:**

**Erie, PA USA** +1 (814) 898 5000

**Ellerbek, Germany** +49 (4101) 3040

**Thetford, England** +44 (1842) 822900

**Kongsberg, Norway** +47 (32) 28 67 00

**Buenos Aires, Argentina** +54 (11) 4312 4736

**Integrated Measurement Systems:**

**Corpus Christi, TX USA** +1 (361) 289 3400

**Kongsberg, Norway** +47 (32) 28 67 00

**San Juan, Puerto Rico** +1 (787) 772 8100

**United Arab Emirates, Dubai** +971 (4) 883 0303

**Liquid Measurement Products:**

**Erie, PA USA** +1 (814) 898 5000

**Los Angeles, CA USA** +1 (310) 328 1236

**Ellerbek, Germany** +49 (4101) 3040

**Slough, England** +44 (1753) 571515

**Barcelona, Spain** +34 (93) 201 0989

**Moscow, Russia** +7 (495) 5648705

**Melbourne, Australia** +61 (3) 9807 2818

**Beijing, China** +86 (10) 6500 2251

**Singapore** +65 6861 3011

**Chennai, India** +91 (44) 450 4400

**Visit our website at [www.fmctechnologies.com/measurementsolutions](http://www.fmctechnologies.com/measurementsolutions)**