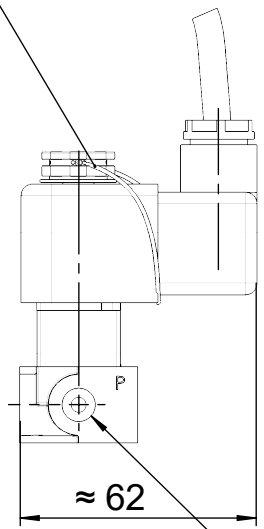
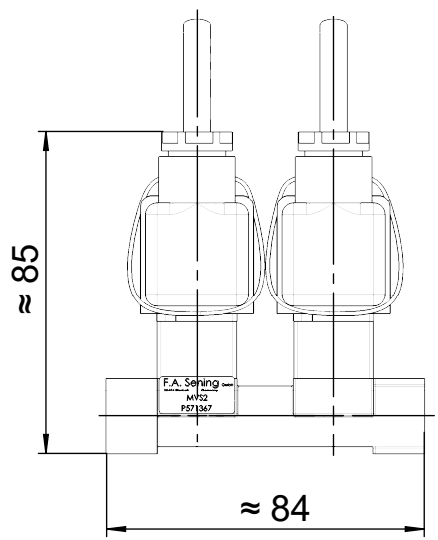
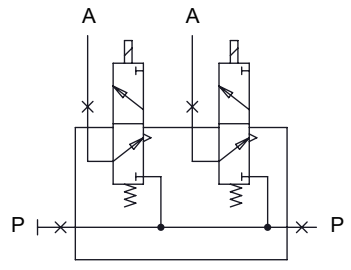
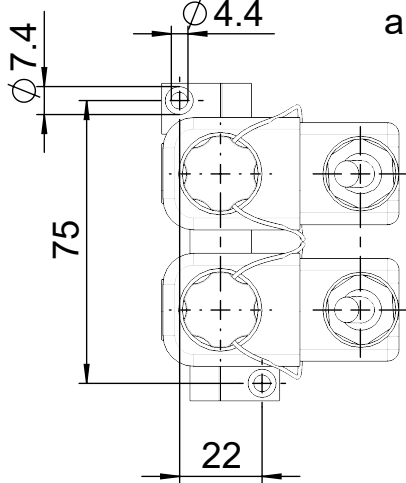


sealing wire by customer



thread connection G1/8 suitable for supplied air connectors



solenoid valve, double, 12V DC
 cable length: 3000 mm
 PN 10
 material: brass, polyamide, FKM, stainless steel

"Copyright protection according to DIN ISO 16016"
 "Schutzvermerk nach DIN ISO 16016 beachten"

ALL TOLERANCED DIMENSIONS ARE FOR INSTALLATION ONLY.
 ALL OTHER DIMENSIONS ARE FOR REFERENCE ONLY.



F.A. Sening GmbH, Regentstr. 1, 25474 Ellerbek, Germany

Method 1 Method 3	Date / Datum	Name	Item name / Benennung	
	Drawn 2/1/2024	U. Steffen	Solenoid Valve, MVS2	
Scale / Maßst. 1:2	Changed 3/7/2024	U. Steffen	made for / zugehörig zu	
Size / Format ISO-A4	ECN No. 5059633		MVS2	
Weight / Gewicht 0,6 kg	Item-No. / Teile-Nr.		Drawing No. / Zeichnungs-Nr.	Rev.
	P571367		DS500060696	B
				Sheet / Blatt 1
				of / von 1