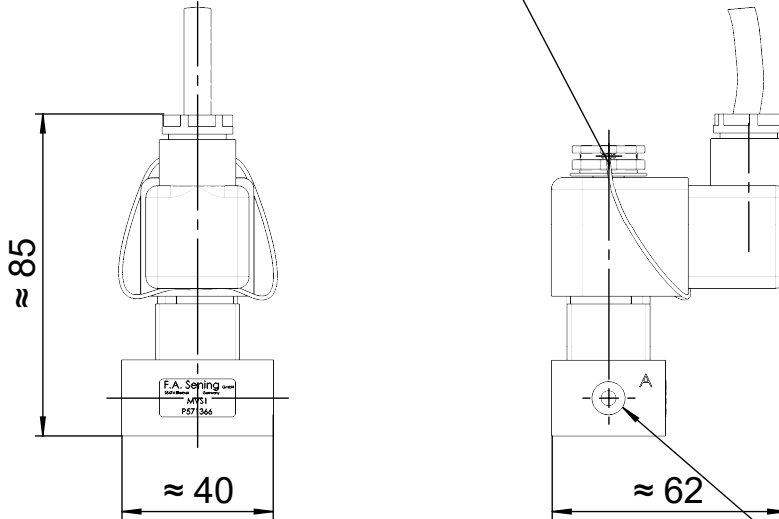
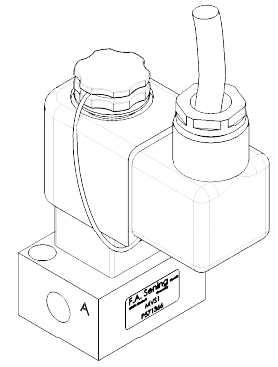
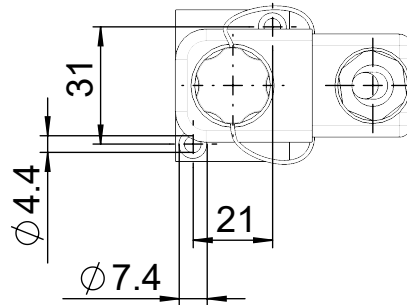


sealing wire by customer



thread connection G1/8 suitable for supplied air connectors

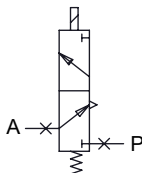


solenoid valve, single, 12V DC

cable lenght: 3000 mm

PN 10

material: brass, polyamide, FKM, stainless steel



ALL TOLERANCED DIMENSIONS ARE FOR INSTALLATION ONLY.
ALL OTHER DIMENSIONS ARE FOR REFERENCE ONLY.



F.A. Sening GmbH, Regentstr. 1, 25474 Ellerbek, Germany

Method 1		Method 3		Date / Datum	Name	Item name / Benennung	
Scale / Maßst. 1:1		Item-No. / Teile-Nr.		Drawn 2/2/2024	U. Steffen	Solenoid Valve, MVS1	
Size / Format ISO-A4		P571366		Changed 3/7/2024	U. Steffen	made for / zugehörig zu	
Weight / Gewicht 0,3 kg				ECN No. 5059633		MVS1	
				Drawing No. / Zeichnungs-Nr.		Rev.	Sheet / Blatt
				DS500060695		B	1
							of / von 1

"Copyright protection according to DIN ISO 16016"
"Schutzvermerk nach DIN ISO 16016 beachten"