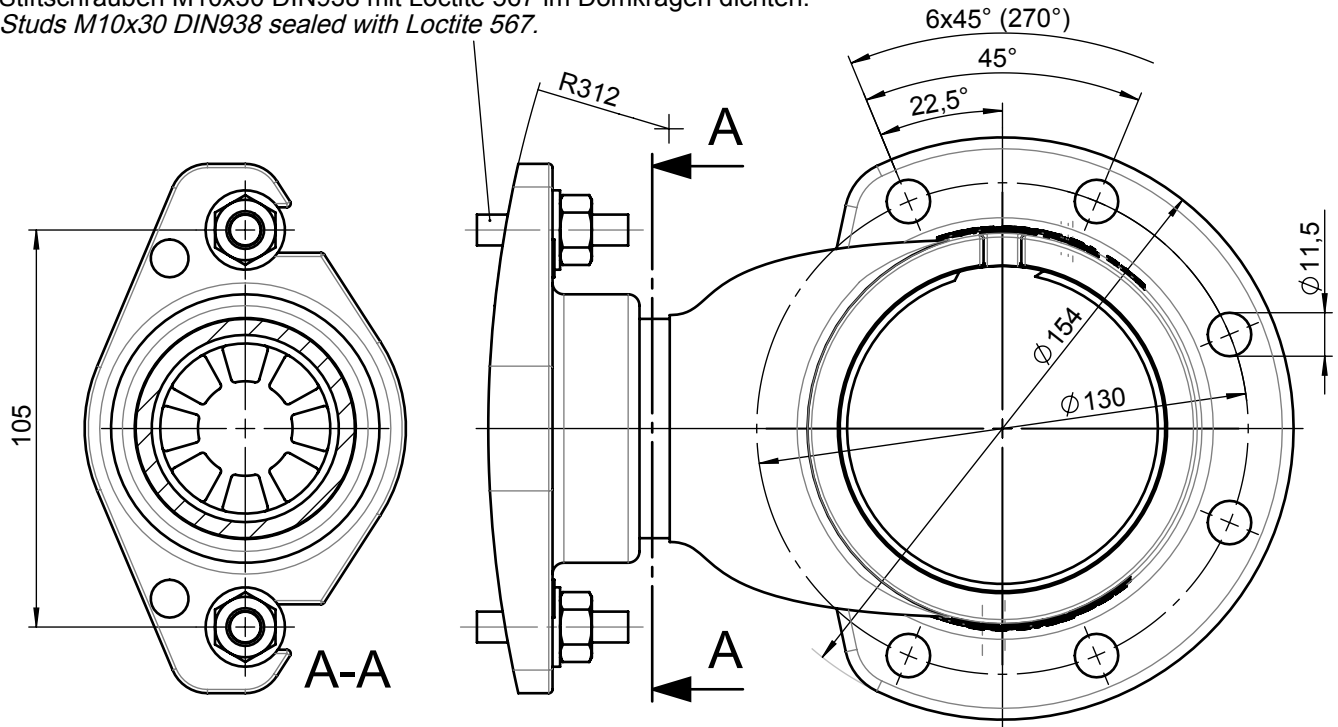


Teile Nr. 252218 (zugehörige Anschlussdichtung zum Kippventil DO702-F)
 Part No. 252218 (corresponding sealing to vent valve DO702-F)

Stiftschrauben M10x30 DIN938 mit Loctite 567 im Domkragen dichten.
 Studs M10x30 DIN938 sealed with Loctite 567.



Temperaturbereich: -20°C bis +60°C

Temperatur range: -20°C bis +60°C

Material:
 - Aluminiumgehäuse
 - NBR (Dichtungen)
 - korrosionsbeständiger Stahl, verzinkter Stahl
 - Acrylglasdeckel

Material:
 - Housing made of aluminium
 - NBR (sealing)
 - Stainless steel, zinc coated steel
 - Acrylglas cap

Zulassung: PTB 15 ATEX 4003 X

Approval: PTB 15 ATEX 4003 X

| 12 | 6000329 | 1 | O-Ring 65x5 NBR | O-Ring 65x5 |
|------------|---------------------|-------------------------|--------------------------------|--------------------------------|
| 10 | 6000101 | 1 | O-Ring 56x4 NBR | O-Ring 56x4 |
| 6 | 6000294 | 1 | O-Ring 82,28x1,78 NBR 70 shore | O-Ring 82,28x1,78 NBR 70 shore |
| 5 | 4300257 | 1 | Sprengring SB86 | Snap ring SB 86 |
| 4 | 251651 | 1 | Brandscheibe | Burst flame disk |
| Pos./ Item | Teile-Nr./ Part-No. | Standard/ Stück/ Quant. | Benennung | Description |

ALL TOLERANCED DIMENSIONS ARE FOR INSTALLATION ONLY.
 ALL OTHER DIMENSIONS ARE FOR REFERENCE ONLY.

FMC Technologies

F.A. Sening GmbH, Regentstr. 1, 25474 Ellerbek, Germany

| | | | | | | |
|-----------------------------------------------------------------------|--------------------------------------------------------------------------------------------------|----------------------------------|----------------------------------------------------------------------------------------------------------------|--------------------------------------------------|-----------------------|----------------------------------|
| Method 1 Method 3 | Date / Datum Drawn 03.08.2010 H. Oelting Changed 16.04.2015 H. Oelting ECN No. 80004946 | Name H. Oelting H. Oelting | Item name / Benennung Flammensperre mit Flansch / Flame Arrester with flange default | Drawing No. / Zeichnungs-Nr. 251662_51 | Rev. 00C.00 | Sheet / Blatt 1 of / von 1 |
| Scale / Maßst. 1:2 Size / Format ISO-A4 Weight / Gewicht 1,8 kg | Item-No. / Teile-Nr. DBG3-FL | | | | | |