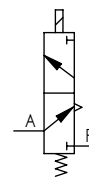
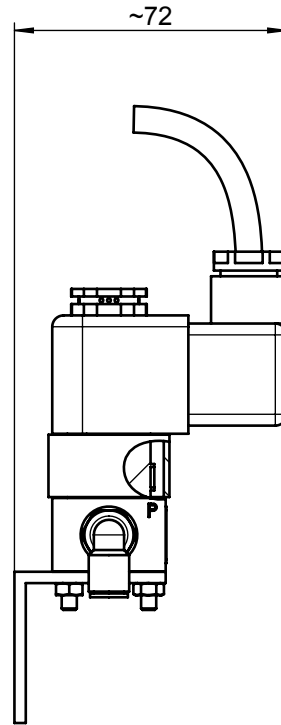
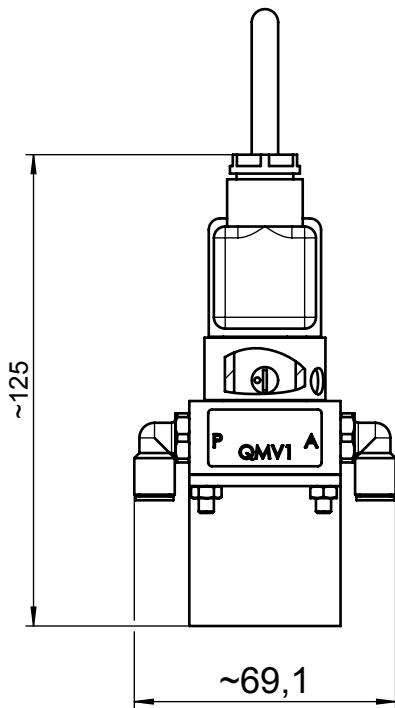


"Copyright protection according to DIN ISO 16016"
 "Schutzvermerk nach DIN ISO 16016 beachten"



Schaltbild
Schematic

ALL TOLERANCED DIMENSIONS ARE FOR INSTALLATION ONLY.
ALL OTHER DIMENSIONS ARE FOR REFERENCE ONLY.

FMC Technologies

F.A. Sening GmbH, Regentstr. 1, 25474 Ellerbek, Germany

| | | | |
|----------|---------------------|--------------------|------------|
| | | Date / Datum | Name |
| Method 1 | Method 3 | Drawn 22.09.2011 | S. Jensen |
| | | Checked 23.09.2011 | H. Oelting |

Item name / Benennung
Magnetventil kompl./Solenoid valve compl.
 made for / zugehörig zu
 QMV1

| | | | |
|------------------|--------|----------------------|------|
| Scale / Maßst. | 1:2 | Item-No. / Teile-Nr. | QMV1 |
| Size / Format | ISO-A4 | | |
| Weight / Gewicht | - kg | | |

| | | |
|------------------------------|---------------|---------------|
| Drawing No. / Zeichnungs-Nr. | Rev. | Sheet / Blatt |
| 352288_51 | 00A.00 | 1 |
| | | of / von 1 |